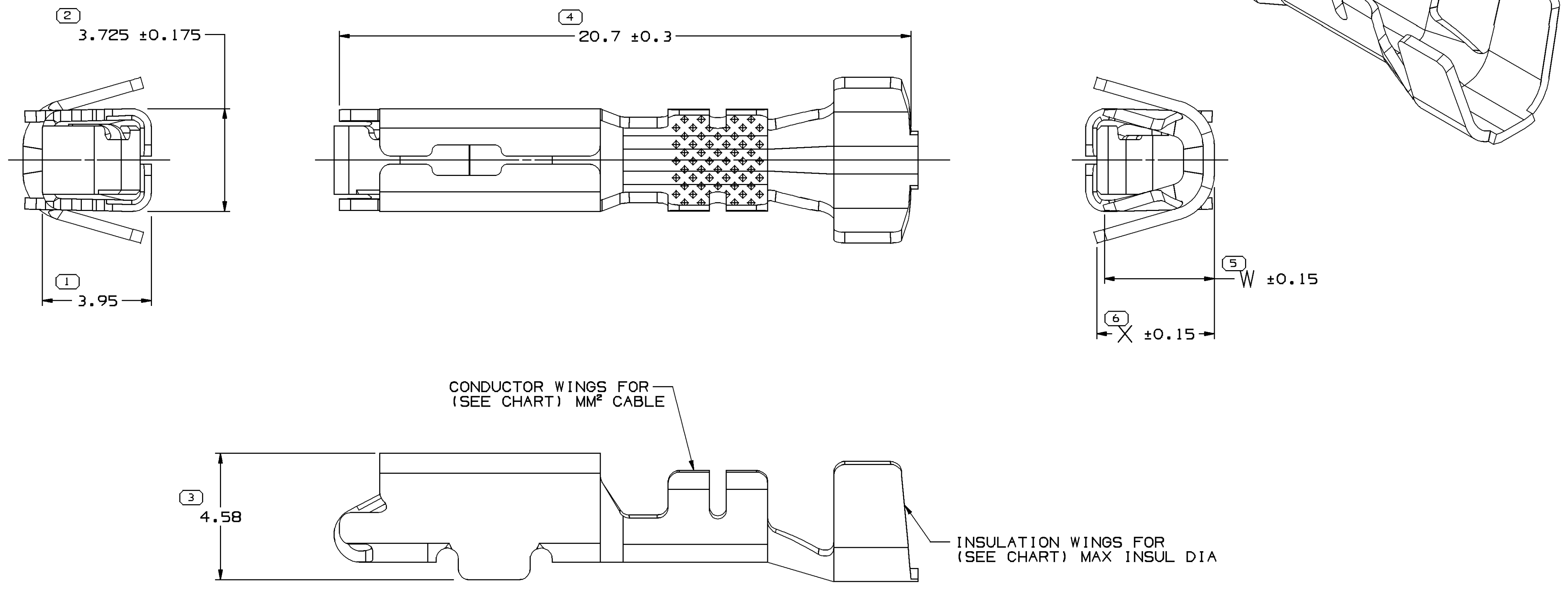


SYMBOL DEFINITION		MISSING SYMBOLS	
A DIMENSION WITHOUT AN INSPECTION REPORT SYMBOL DOES NOT REQUIRE INSPECTION. IT MAY BE CONTROLLED ON THE INDIVIDUAL COMPONENT DRAWING.	TOTAL NO OF INSPECTIONS REQUIRED	NO MISSING SYMBOL NUMBER	
	6		
	LAST NO. USED		
	6		

DWG STATUS				ZONE	REVISION HISTORY	AUTH	DR	APVD1	APVD2
DATE	STG	REV	N/P						
21JA02	R	01	-	-	CLEARED REVISION COLUMN AND ALL PARTS - REVISED GRAPHICS	213978	AMG	AMG	JL
10JN05	R	02	-	-	ADDED PROBING NOTE	269172	AKJ	AKJ	WTM
10OC05	R	03	-	-	15324339 & 15324340 - UPDATED PDM ATTRIBUTES	273333	JBD	AUG	EJH
18JA06	R	04	-	-	15324339-41 - UPDATED MAT'L SPEC & REVISED CABLE 0.D 13572757, 13572763-64 - RELEASED	276448	JTV	AUG	WTM
02FE06	R	05	-	-	13572764 - CABLE GAGE ID WAS 10, ADDED 3 TO CABLE SIZE & UPDATED PDM ATTRIBUTES; 13572757 & 13572763 - UPDATED PDM ATTRIBUTES	276999	JTV	AUG	WTM
10MR06	R	06	-	-	15324339 & 15324341 - UPDATED PDM ATTRIBUTES	276499	JTV	AUG	JS



TYPE 101

NOTES

- UNLESS OTHERWISE SPECIFIED AND/OR INDICATED: DIMENSIONS ARE TO FACE OF VIEW SHOWN AND AUTOMATICALLY ROUNDED BY COMPUTER FOR INSPECTION. (SEE MATH MODEL FOR PRECISE DIMENSIONS.) FOR ALL OTHER DIMENSIONS NOT SHOWN BUT REQUIRED FOR TOOL BUILD, SEE MATH MODEL FOR PRECISE TOOL PATH DATA.
- RECOMENDED MATING BLADE - WITH 2.8 ± 0.08 THICKNESS 0.825 ± 0.035
- DO NOT PROBE, TEST OR OTHERWISE CONTACT THE INTERIOR REGION (THE SPRING OR ANY MOVING PART) OF THIS TERMINAL. SEVERE DAMAGE CAN OCCUR, COMPROMISING THE PERFORMANCE OF THE ELECTRICAL INTERFACE.

PART NO	REV	N/P	STATUS	MAT'L SIZE	MAT'L SPEC	SIZE (MM²)	ID	DIA	TYPE	W	X
13572763	01	AA		0.406 X 32.54	M5706027		3	3-3.81	101	5.34	4.25
13572764	01	AA		0.406 X 32.54	M5706027		3 - 5	3.7-5.33	101	5.64	5.65
13572757	01	AA		0.406 X 32.54	M5706027		1 - 2	2.05-3.43	101	3.97	4.25
15324341	02	AC		0.406 X 32.54	M1574027		3	3-3.81	101	5.34	4.25
15324340	02	AC		0.406 X 32.54	M1574027		3 - 5	3-5.33	101	5.64	5.65
15324339	02	AD		0.406 X 32.54	M1574027		1 - 2	2.05-3.43	101	3.97	4.25
				PLATED				CABLE			

PROCESS SENSITIVE DIMENSION	
FROM	TO
0	12
12	> 12
DIMENSIONAL RANGE (MM)	
CHART	D
TOLERANCE UNLESS OTHERWISE SPECIFIED	
±0.1	±0.2
ANGULAR TOLERANCE ±2°	

DWG TYPE: PART DRAWING

STYLE: []

VOLUME (QTY): [] DISTR CODE: []

UNLESS OTHERWISE SPECIFIED THIS DOCUMENT IS IN ACCORDANCE WITH ASME Y14.5M-1994 AS AMENDED BY THE 3M GLOBAL DIMENSIONING AND TOLERANCING ADDENDUM-2001. SEPARATE PATTERNS OF FEATURES MAY BE BAGGED SEPARATELY REGARDLESS OF DATUM REFERENCES.

ALL DIMENSIONS ARE IN MILLIMETERS

THIRD ANGLE PROJECTION

DO NOT SCALE

USE MATH DATA

UNIGRAPHICS

DELPHI

DELPHI PACKARD ELECTRIC SYSTEMS
WARREN, OH

DR	DATE
APVD1 MANUEL VEGA	22JN98
APVD2 MANUEL VEGA	22JN98
APVD3 O. GALLEGOS	27AU98
APVD4	
APVD5	

SUBSTANCES OF CONCERN AND RECYCLED CONTENT PER DELPHI 10949001

MATERIAL SEE CHART

DRAWING NAME: TAXI TERM F M/P 280 TANGLESS

DRAWING NUMBER: 15324365

SIZE	SCALE	FRAME NO	SHEET NO	STG	REV	N/P
A1	10:1	1 OF 1	1 OF 1	R	06	-