



Connectors > Automotive Connectors > Connector Housings



Connector & Housing Type: **Housing for Female Terminals**

Mating Tab Width: **1.5 mm, 2.8 mm** [.059 in, .11 in]

Connector System: **Wire-to-Board, Wire-to-Device**

Number of Positions: **52**

Centerline (Pitch): **4.3 mm** [.169 in]

Features

Product Type Features

Connector & Housing Shape	Rectangular
Connector & Housing Type	Housing for Female Terminals
Connector System	Wire-to-Board, Wire-to-Device
Sealable	Yes
Hybrid Connector	Yes
Primary Locking Feature	On the Terminal

Configuration Features

Number of Positions	52
Number of Rows	4

Electrical Characteristics

Operating Voltage	12 VDC
Nominal Voltage Architecture	12 V

Body Features

Cable Exit Angle	90°
Body Material	PBT GF
Primary Product Color	Black
Connector Code	A

Contact Features

Contact Size	1.5mm, 2.8mm
--------------	--------------



Contact Type	Receptacle
Mating Tab Width	1.5 mm, 2.8 mm [.059 in][.11 in]

Mechanical Attachment

Mounting Feature	Without
Terminal Position Assurance	Yes
Strain Relief	With
Mating Alignment Type	Keyed
Mating Alignment	With
Connector Mounting Type	Cable Mount (Free-Hanging)

Housing Features

Centerline (Pitch)	4.3 mm [.169 in]
--------------------	------------------

Dimensions

Product Width	45 mm [1.772 in]
Product Length	52 mm [2.047 in]
Product Height	33.5 mm [1.319 in]
Row-to-Row Spacing	5.5 mm [.217 in]

Usage Conditions

Operating Temperature (Max)	70 °C, 75 °C, 80 °C, 85 °C, 90 °C, 100 °C, 105 °C, 110 °C, 120 °C [158 °F][167 °F][176 °F][185 °F][194 °F][212 °F][221 °F][230 °F][248 °F]
Operating Temperature Range	-40 – 120 °C [-40 – 248 °F]

Operation/Application

Circuit Application	Signal
---------------------	--------

Industry Standards

UL Flammability Rating	UL 94HB
------------------------	---------

Packaging Features

Packaging Method	Box
------------------	-----

Other

Serviceable	Yes
Connector Position Assurance Capable	No

Product Compliance

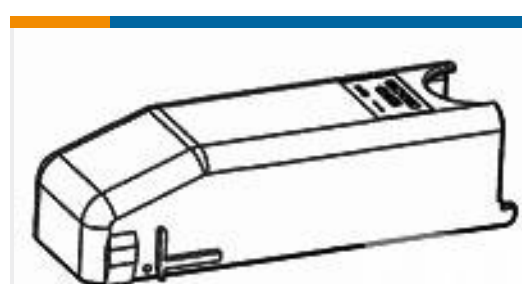
[For compliance documentation, visit the product page on TE.com>](#)

EU RoHS Directive 2011/65/EU	Compliant
EU ELV Directive 2000/53/EC	Compliant
China RoHS 2 Directive MIIT Order No 32, 2016	No Restricted Materials Above Threshold
EU REACH Regulation (EC) No. 1907/2006	Current ECHA Candidate List: JAN 2022 (223) Candidate List Declared Against: JAN 2021 (211) SVHC > Threshold: Not Yet Reviewed
Halogen Content	Low Halogen - Br, Cl, F, I < 900 ppm per homogenous material. Also BFR/CFR/PVC Free
Solder Process Capability	Not applicable for solder process capability

Product Compliance Disclaimer

This information is provided based on reasonable inquiry of our suppliers and represents our current actual knowledge based on the information they provided. This information is subject to change. The part numbers that TE has identified as EU RoHS compliant have a maximum concentration of 0.1% by weight in homogenous materials for lead, hexavalent chromium, mercury, PBB, PBDE, DBP, BBP, DEHP, DIBP, and 0.01% for cadmium, or qualify for an exemption to these limits as defined in the Annexes of Directive 2011/65/EU (RoHS2). Finished electrical and electronic equipment products will be CE marked as required by Directive 2011/65/EU. Components may not be CE marked. Additionally, the part numbers that TE has identified as EU ELV compliant have a maximum concentration of 0.1% by weight in homogenous materials for lead, hexavalent chromium, and mercury, and 0.01% for cadmium, or qualify for an exemption to these limits as defined in the Annexes of Directive 2000/53/EC (ELV). Regarding the REACH Regulation, the information TE provides on SVHC in articles for this part number is based on the latest European Chemicals Agency (ECHA) 'Guidance on requirements for substances in articles' posted at this URL: <https://echa.europa.eu/guidance-documents/guidance-on-reach>

Compatible Parts



TE Part # 1393454-7
V23542C1052Z102=52P ABDECKKAPP

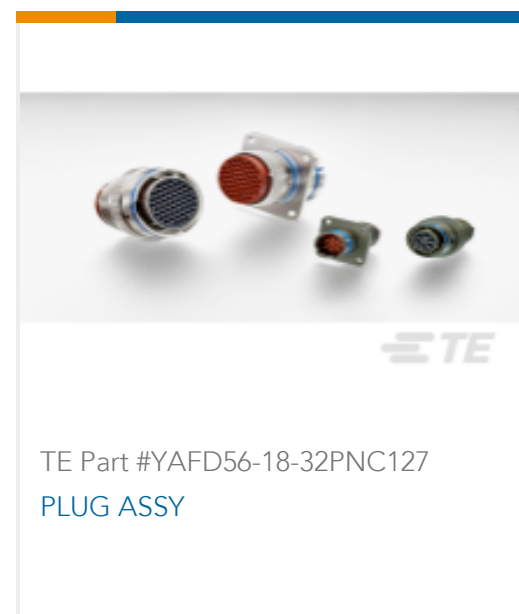
Customers Also Bought



TE Part #1-927771-1
TIMER, RECEPTACLE AND TAB



TE Part #1393454-1
V23542C1028Z100=28P ABDECKKAPP



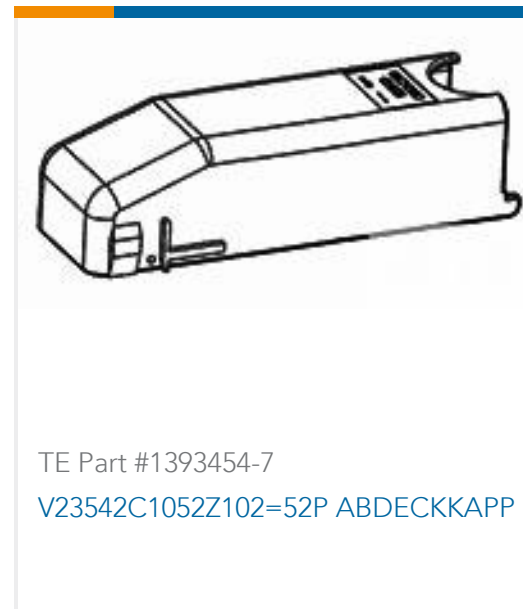
TE Part #YAFD56-18-32PNC127
PLUG ASSY



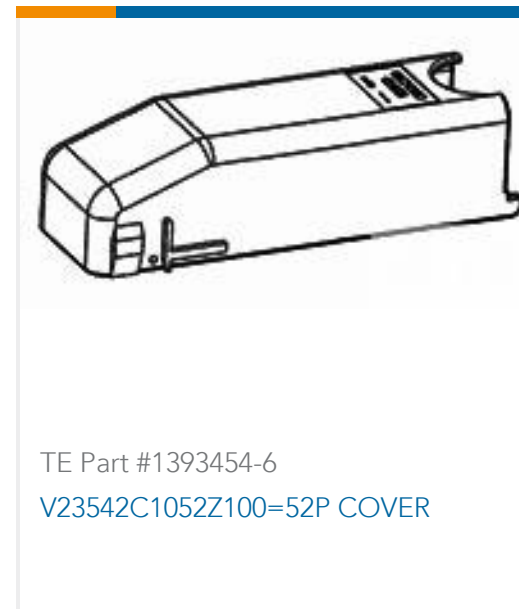
TE Part #1393436-2
V23542C1028B102=28P KABELBAUMS



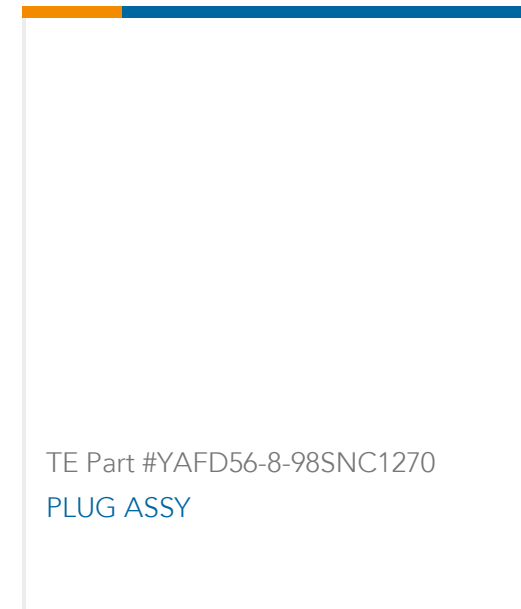
TE Part #1393454-2
V23542C1028Z102=28P ABDECKKAPP



TE Part #1393454-7
V23542C1052Z102=52P ABDECKKAPP



TE Part #1393454-6
V23542C1052Z100=52P COVER



TE Part #YAFD56-8-98SNC1270
PLUG ASSY



TE Part #927872-1
JUNIOR-TIMER CONTACT

Documents

Product Drawings

V23542C1052B102=52P KABELBAUM-

English

V23542C1052B102=52P KABELBAUM-

English

CAD Files

3D PDF

English

Customer View Model

[ENG_CVM_1393450-3_A1.2d_dxf.zip](#)

English

Customer View Model

[ENG_CVM_1393450-3_A1.3d_igs.zip](#)

English

Customer View Model

[ENG_CVM_1393450-3_A1.3d_stp.zip](#)

English

By downloading the CAD file I accept and agree to the [Terms and Conditions](#) of use.

1393450-3

Housing for Female Terminals, Wire-to-Board / Wire-to-Device, 52 Position, .169 in
[4.3 mm] Centerline, Sealable, Black, Signal

