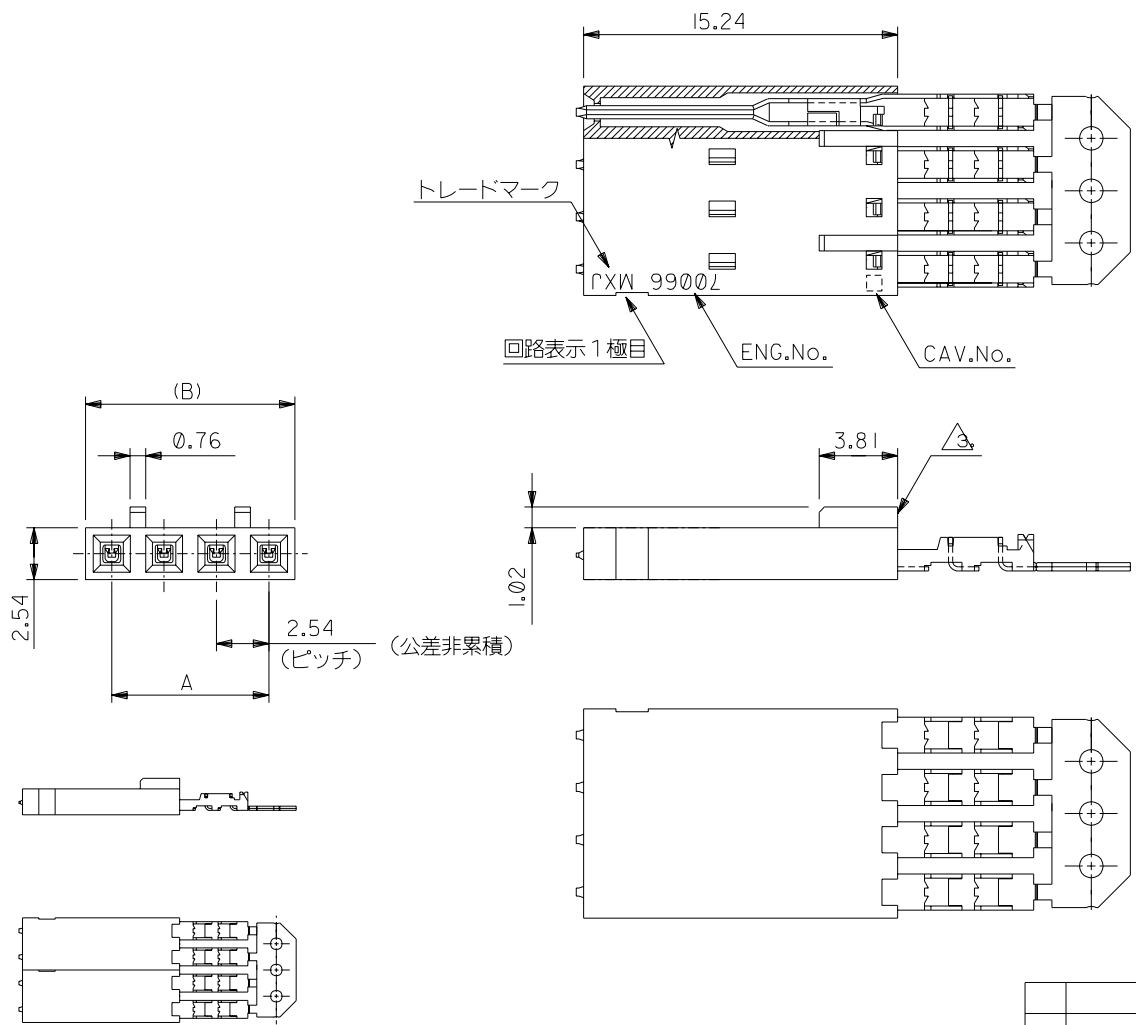


ENG. NO. SD-70475-0****
EDP NO. #
DIMENSIONS IN METRIC DO NOT SCALE DRAWING
:MM

OPTION D



2 極の場合
(SCALE:2-1)

- 注記:
- 材料
ハウジング：ガラス入りポリエステル UL 94V-0
ターミナル：燐青銅
 - 仕上げ 接点部：金メッキ 0.38 μm MIN.
圧接部：錫メッキ 1.91 μm MIN.
下地メッキ：ニッケルメッキ 1.27 μm MIN.
 - 極性リブは、2極の場合 1箇所のみとする。
 - 適合クリップ：70104-****
70013-****
70018-****
70022-****
 - ハウジングの色：黒

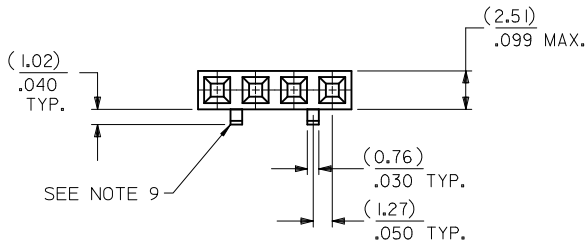
| | | | |
|-------|-------|--------------|----|
| 63.50 | 60.96 | 70475-0619 | 25 |
| 60.96 | 58.42 | -0618 | 24 |
| 58.42 | 55.88 | -0617 | 23 |
| 55.88 | 53.34 | -0616 | 22 |
| 53.34 | 50.80 | -0615 | 21 |
| 50.80 | 48.26 | -0614 | 20 |
| 48.26 | 45.72 | -0613 | 19 |
| 45.72 | 43.18 | -0612 | 18 |
| 43.18 | 40.64 | -0611 | 17 |
| 40.64 | 38.10 | -0610 | 16 |
| 38.10 | 35.56 | -0609 | 15 |
| 35.56 | 33.02 | -0608 | 14 |
| 33.02 | 30.48 | -0607 | 13 |
| 30.48 | 27.94 | -0606 | 12 |
| 27.94 | 25.40 | -0605 | 11 |
| 25.40 | 22.86 | -0604 | 10 |
| 22.86 | 20.32 | -0603 | 9 |
| 20.32 | 17.78 | -0602 | 8 |
| 17.78 | 15.24 | -0601 | 7 |
| 15.24 | 12.70 | -0600 | 6 |
| 12.70 | 10.16 | -0599 | 5 |
| 10.16 | 7.62 | -0598 | 4 |
| 7.62 | 5.08 | -0597 | 3 |
| 5.08 | 2.54 | 70475-0596 | 2 |
| (B) | A | MATERIAL No. | 極数 |

| | | | | | |
|----------------------------|--|----------|----------|-------------------|-------------------------------------|
| C 変更 (J2004-4519) | | M.S. | 04/05/31 | 材料 MATERIAL | MOLEX-JAPAN CO.,LTD. 日本モレックス株式会社 |
| B 変更 (T20159) | | S.M. | H.I | 注記参照 | |
| A 変更 (T90267) | | H.H. | M.S. | 仕上げ FINISH | 注記参照 |
| 0 新規作成 (T80231) | | H.H. | M.S. | 適用電線範囲 WIRE RANGE | AWG#24 |
| 記号 TR 変更内容 REVISION RECORD | | H.H. | M.S. | 被覆外径 INS. RANGE | φ 1.35 MAX. |
| DATE | | DR. CHK. | DATE | DRAWN BY | T.FURUHATA |
| REVISION RECORD | | DR. CHK. | DATE | CHK'D BY | M.SASAO |
| REVISION RECORD | | DR. CHK. | DATE | APP'D BY | S.YAMADA |
| REVISION RECORD | | DR. CHK. | DATE | 尺度 SCALE | 4-1 |

OPTION D

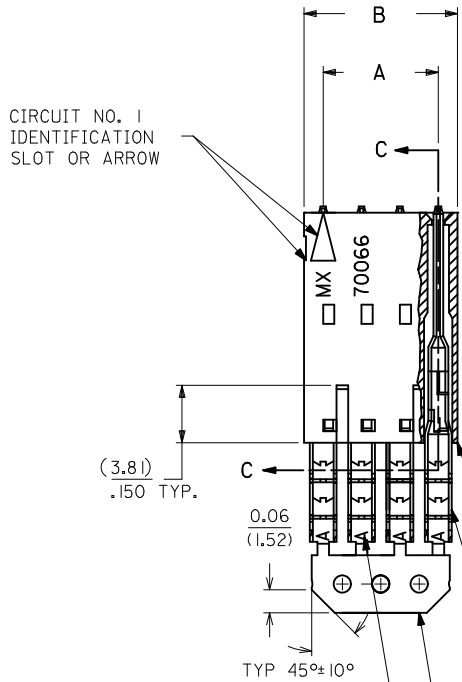
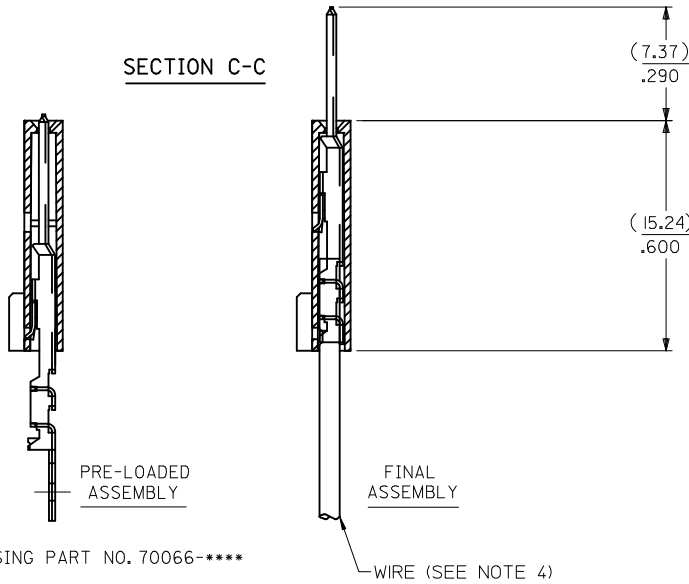
NOTES:

- MATERIAL: HOUSING - G.F. POLYESTER, 94V-0
TERMINAL - PHOSPHOR BRONZE
- FINISH: 0.38 MICROMETERS/15 MICROINCHES MINIMUM GOLD IN SELECT AREA
1.91 MICROMETERS/75 MICROINCHES MINIMUM TIN IN SELECT AREA
OVER NICKEL UNDERPLATE OVER-ALL.
- PRODUCT SPECIFICATION: PS-70400
- TO BE USED WITH 24 AWG. STANDARD WIRE WITH 1.35/.053 DIAMETER MAXIMUM INSULATION.
- SEE CHART FOR CIRCUIT SIZES.
- STANDARD PACKAGING PER PK-70873-0001. OPTIONAL PACKAGING MAY BE AVAILABLE. REQUEST DRAWING PK-70475.
- PARTS STACKABLE END TO END ON 2.54/.100 CENTERS
- SEE DRAWING SDA-70457-**** (SHEET 3) FOR OPTIONAL HOUSING DETAILS.
- 4 CIRCUIT SHOWN. 3-25 CIRCUITS HAVE 2 RIBS.
- TO MATE WITH MOLEX PART NUMBERS: 70018-0000, 70022-****, 70104-****.
- 2 CIRCUIT ASSEMBLIES SUPPLIED AS GROUPED PAIRS.



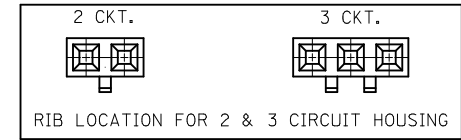
CIRCUIT NO. 1 IDENTIFICATION SLOT OR ARROW

SECTION C-C



HOUSING PART NO. 70066-****
TERMINAL PART NO. 70110-****

| CKT. SIZE | A | B | EDP. NO. | ENG. NO. |
|-----------|--------------------|--------------------|------------|--------------|
| 2 | (2.54) .100 | (5.05) .199 | 14-44-1202 | A-70475-0596 |
| 3 | (5.08) .200 | (7.59) .299 | 14-44-1203 | A-70475-0597 |
| 4 | (7.62) .300 | (10.13) .399 | 14-44-1204 | A-70475-0598 |
| 5 | (10.16) .400 | (12.67) .499 | 14-44-1205 | A-70475-0599 |
| 6 | (12.70) .500 | (15.21) .599 | 14-44-1206 | A-70475-0600 |
| 7 | (15.24) .600 | (17.75) .699 | 14-44-1207 | A-70475-0601 |
| 8 | (17.78) .700 | (20.29) .799 | 14-44-1208 | A-70475-0602 |
| 9 | (20.32) .800 | (22.83) .899 | 14-44-1209 | A-70475-0603 |
| 10 | (22.86) .900 | (25.37) .999 | 14-44-1210 | A-70475-0604 |
| 11 | (25.54) 1.000 | (27.91) 1.099 | 14-44-1211 | A-70475-0605 |
| 12 | (27.94) 1.100 | (30.45) 1.199 | 14-44-1212 | A-70475-0606 |
| 13 | (30.48) 1.200 | (32.99) 1.299 | 14-44-1213 | A-70475-0607 |
| 14 | (33.02) 1.300 | (35.53) 1.399 | 14-44-1214 | A-70475-0608 |
| 15 | (35.56) 1.400 | (38.07) 1.499 | 14-44-1215 | A-70475-0609 |
| 16 | (38.01) 1.500 | (40.61) 1.599 | 14-44-1216 | A-70475-0610 |
| 17 | (40.64) 1.600 | (43.15) 1.699 | 14-44-1217 | A-70475-0611 |
| 18 | (43.18) 1.700 | (45.69) 1.799 | 14-44-1218 | A-70475-0612 |
| 19 | (45.72) 1.800 | (48.23) 1.899 | 14-44-1219 | A-70475-0613 |
| 20 | (48.26) 1.900 | (50.77) 1.999 | 14-44-1220 | A-70475-0614 |
| 21 | (50.80) 2.000 | (53.31) 2.099 | 14-44-1221 | A-70475-0615 |
| 22 | (53.34) 2.100 | (55.85) 2.199 | 14-44-1222 | A-70475-0616 |
| 23 | (55.88) 2.200 | (58.39) 2.299 | 14-44-1223 | A-70475-0617 |
| 24 | (58.42) 2.300 | (60.93) 2.399 | 14-44-1224 | A-70475-0618 |
| 25 | (60.96) 2.400 | (63.47) 2.499 | 14-44-1225 | A-70475-0619 |



| I.D. SLOT CODE TO WIRE GAUGE CHART | |
|------------------------------------|------------|
| I.D. SLOT CODE | WIRE GAUGE |
| A | 24 AWG. |

| PLATING CODE (STRIPE ON CARRIER STRIP) | |
|--|--------|
| PLATING | COLOR |
| 15 GOLD | YELLOW |

| ADD GEN TOLERANCES | QUALITY SYMBOLS | GENERAL TOLERANCES (UNLESS SPECIFIED) |
|--|-------------------|--|
| EC NO: UCP2011-3892 DRAWN: IBARRA 2011/06/27 CHK: MORGAN APPR: SWILLER 2011/07/07 | ▽=0 ▽=0 ▽=0 | mm INCH 4 PLACES ± --- ± --- 3 PLACES ± --- ± .010 2 PLACES ± 0.25 ± .014 1 PLACE ± 0.35 ± --- ANGULAR ± 1/2° |

| SCALE | DESIGN UNITS | THIRD ANGLE PROJECTION |
|-------|--------------|------------------------|
| 4:1 | INCH | ☉ |

| DRAWN BY | DATE | CHECKED BY | DATE | APPROVED BY | DATE |
|----------|------------|------------|------------|-------------|------------|
| WAZ | 10/13/1984 | WAZ | 10/13/1984 | RL | 10/13/1984 |

| TITLE | MATERIAL NO. | DOCUMENT NO. | SHEET NO. |
|--|--------------|---------------------|-----------|
| ASSEMBLY, SL CONNECTOR SINGLE ROW 2.54/.100 GRID | SEE TABLE | SDA-70475-0596-0619 | 1 OF 1 |

THIS DRAWING CONTAINS INFORMATION THAT IS PROPRIETARY TO MOLEX INCORPORATED AND SHOULD NOT BE USED WITHOUT WRITTEN PERMISSION