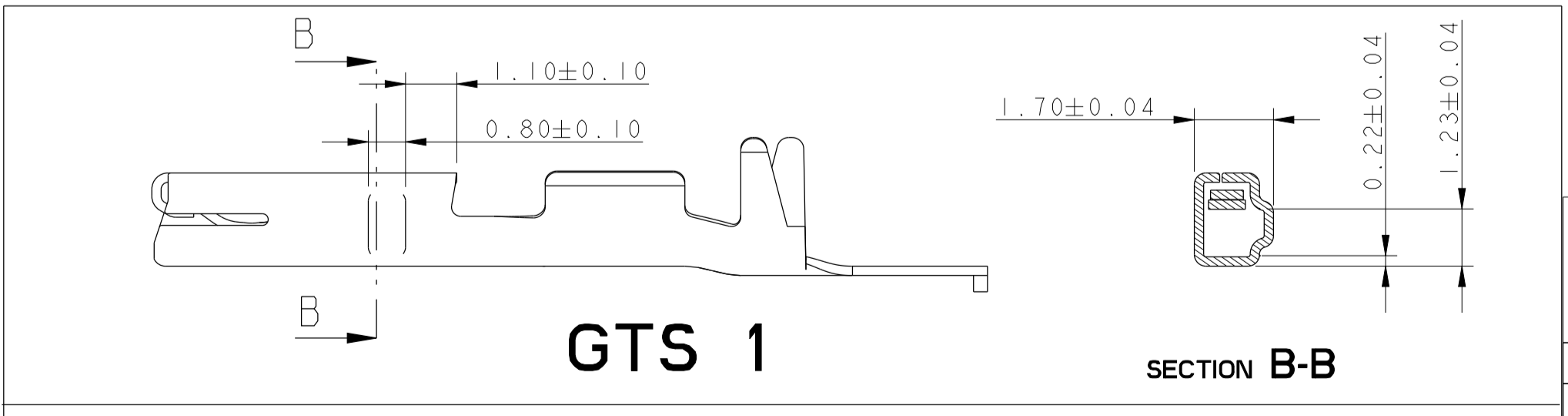
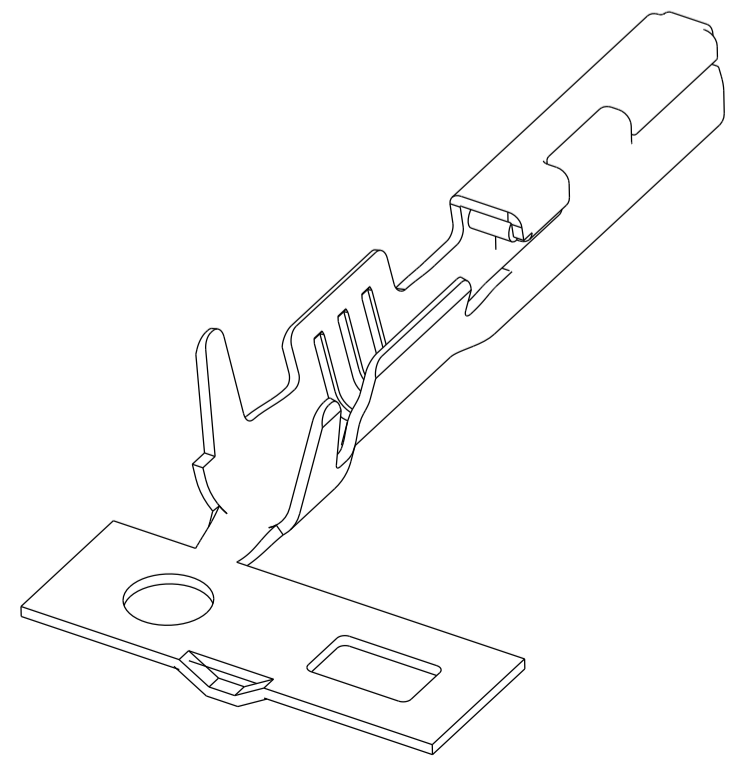
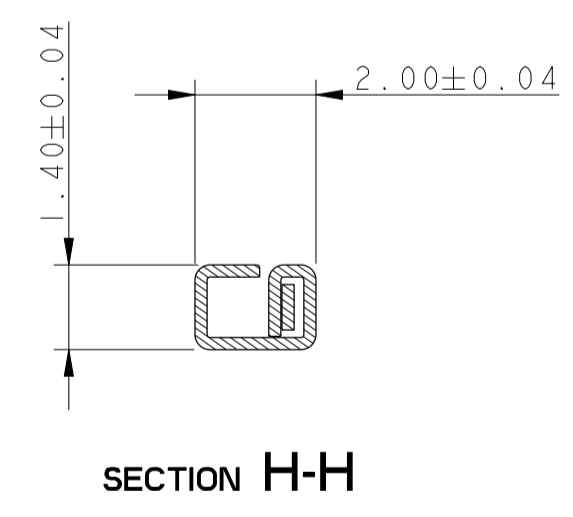
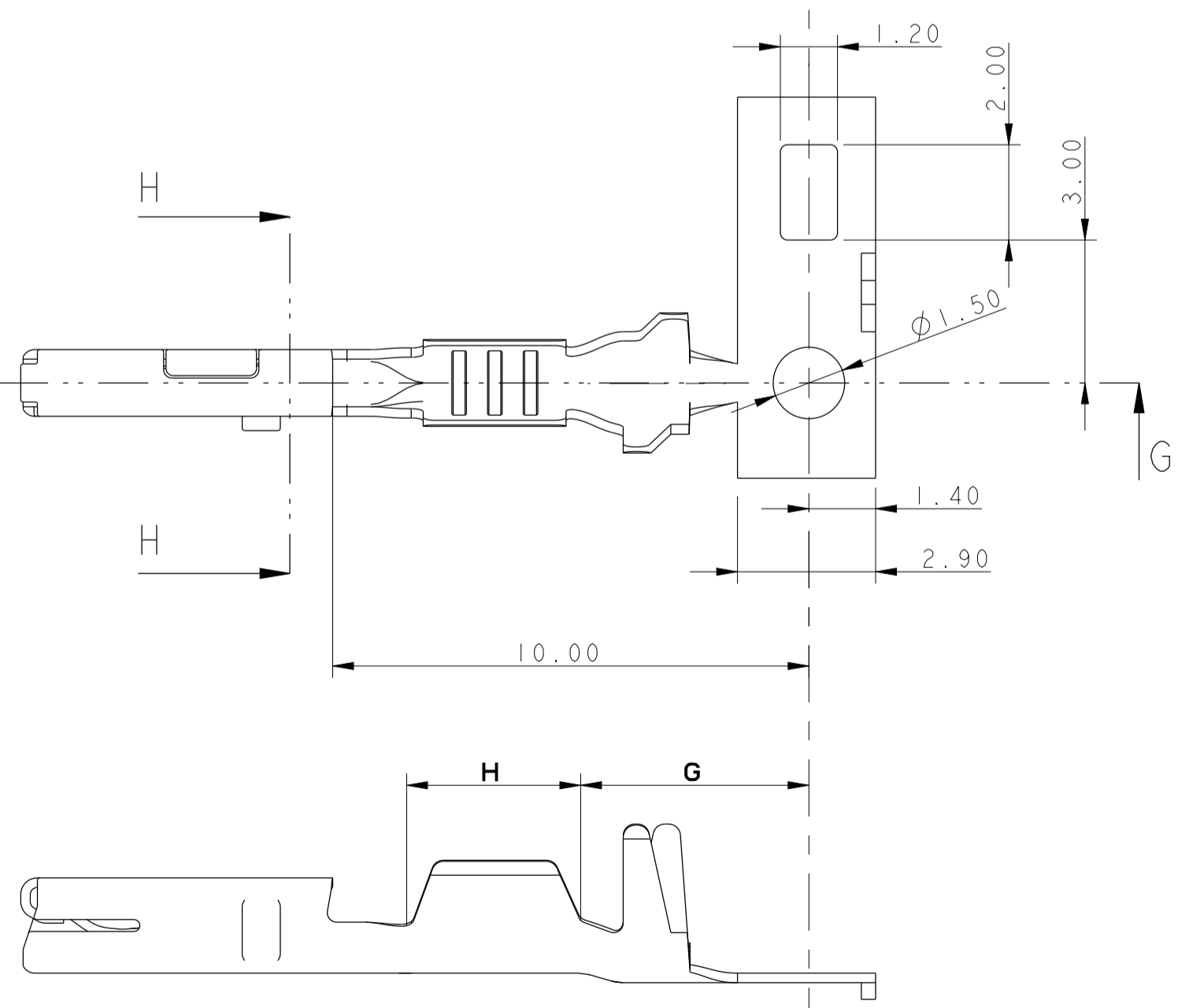
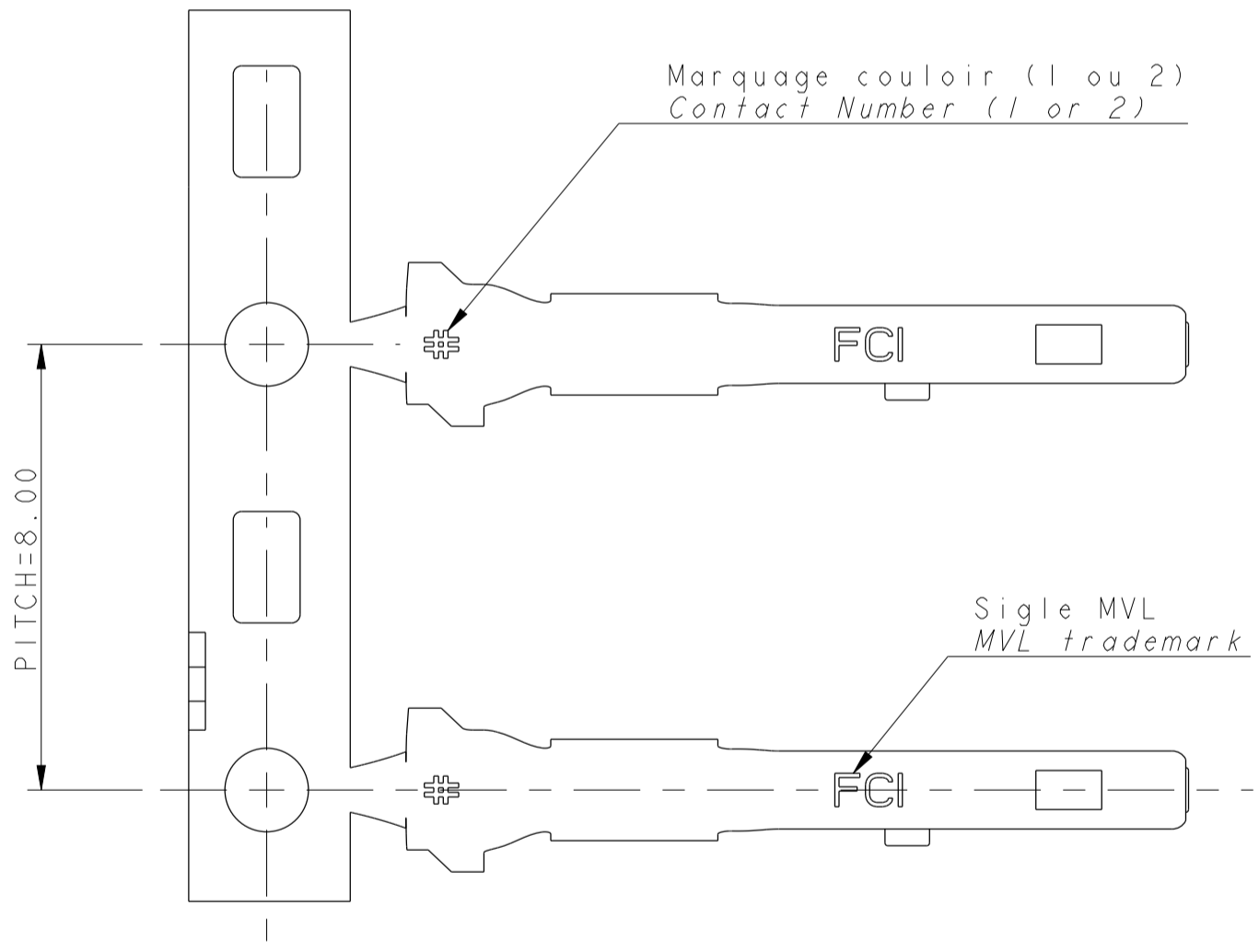
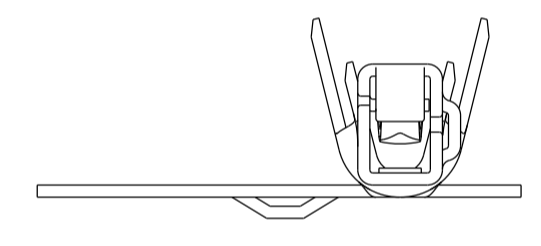
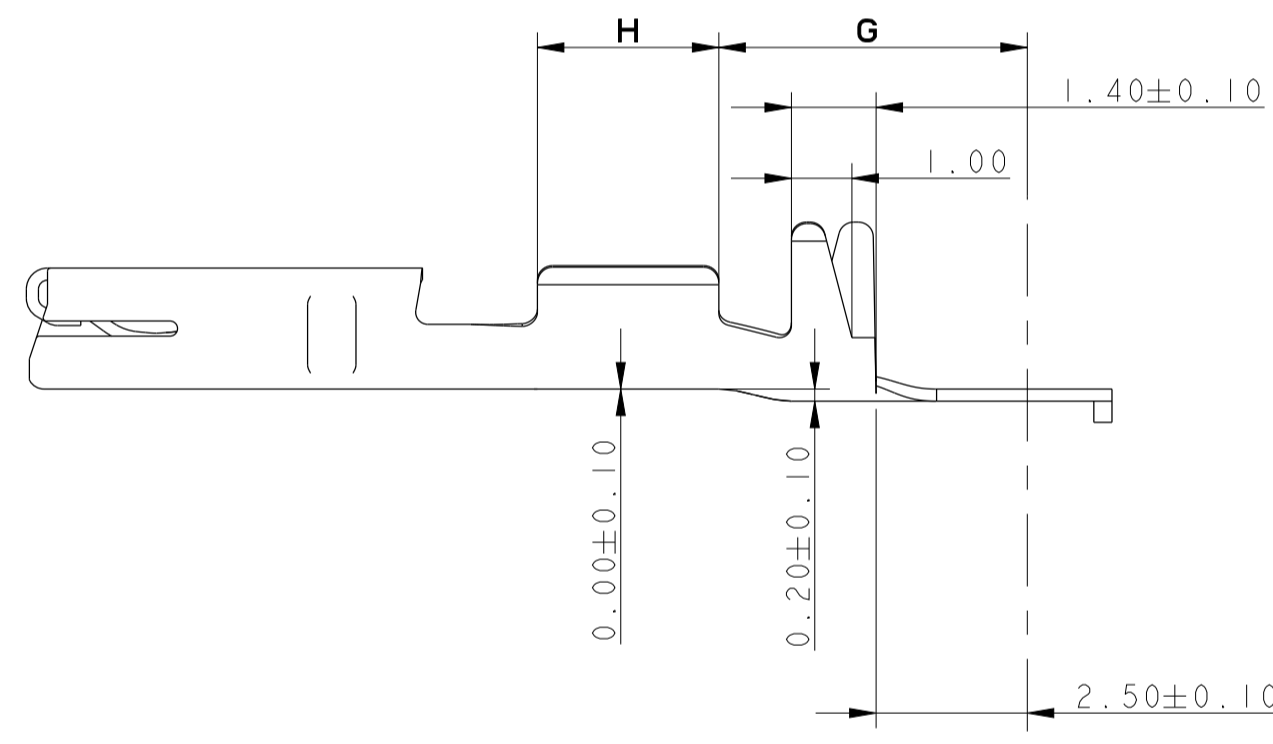
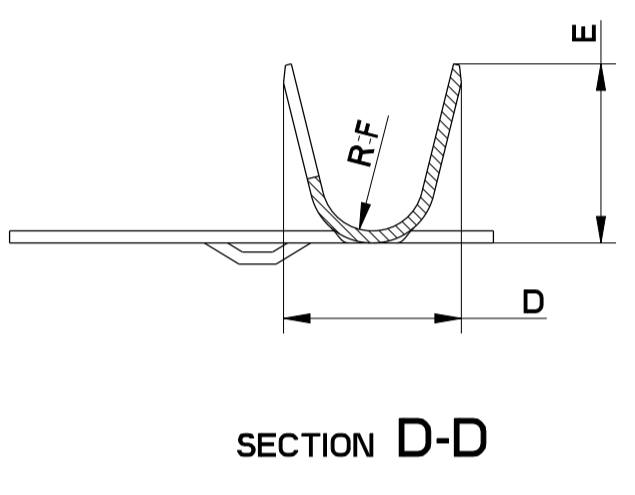
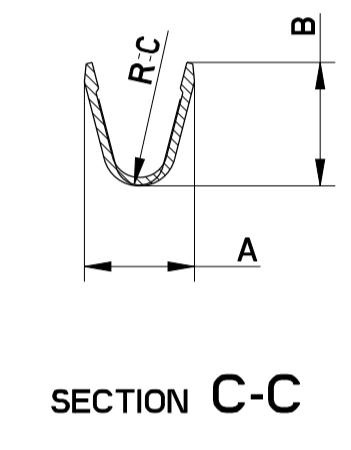
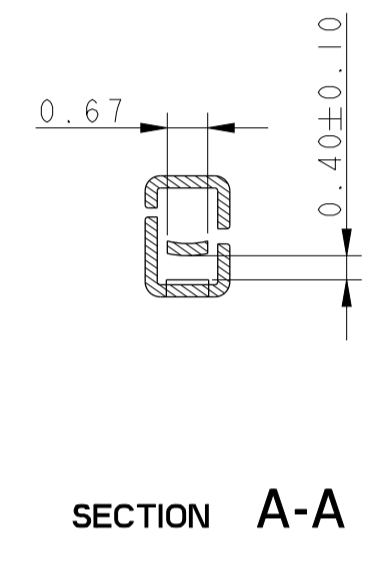
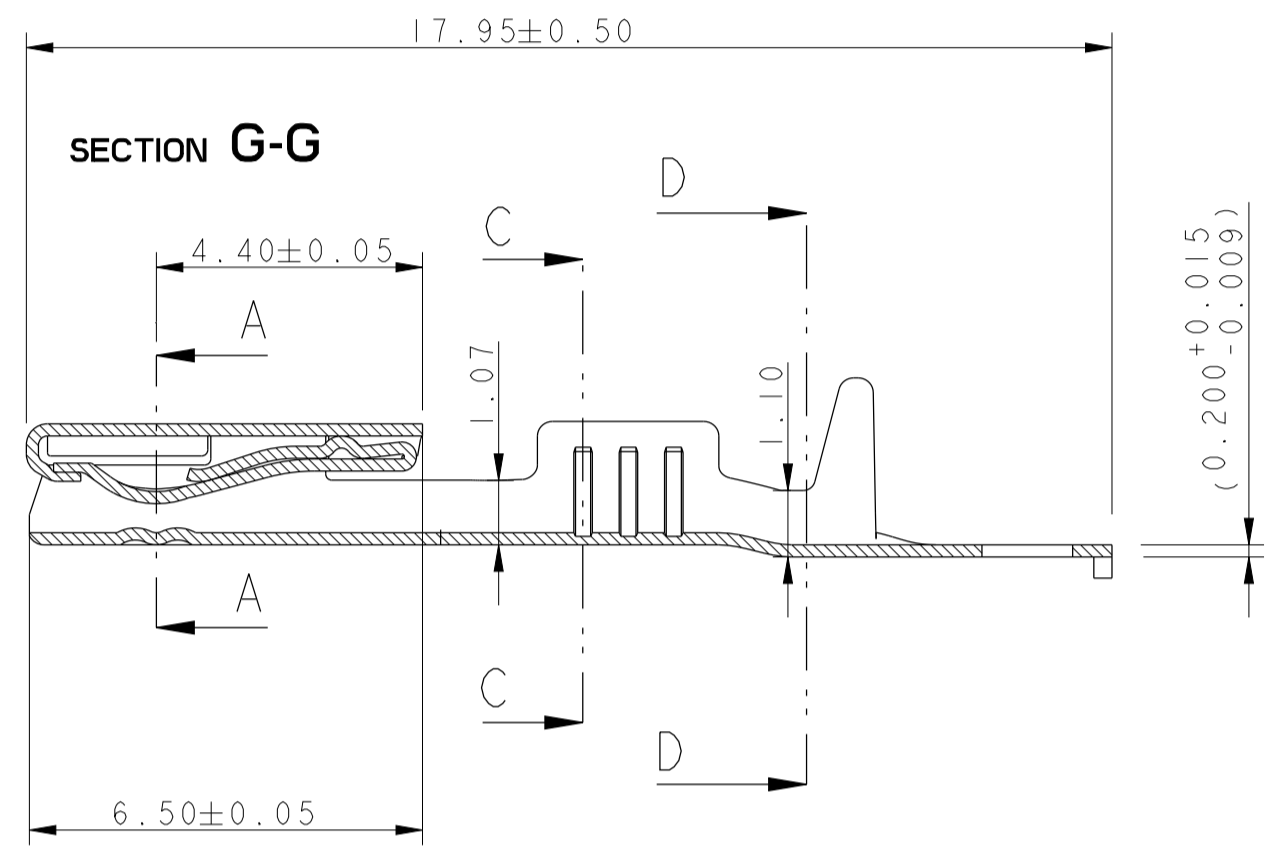
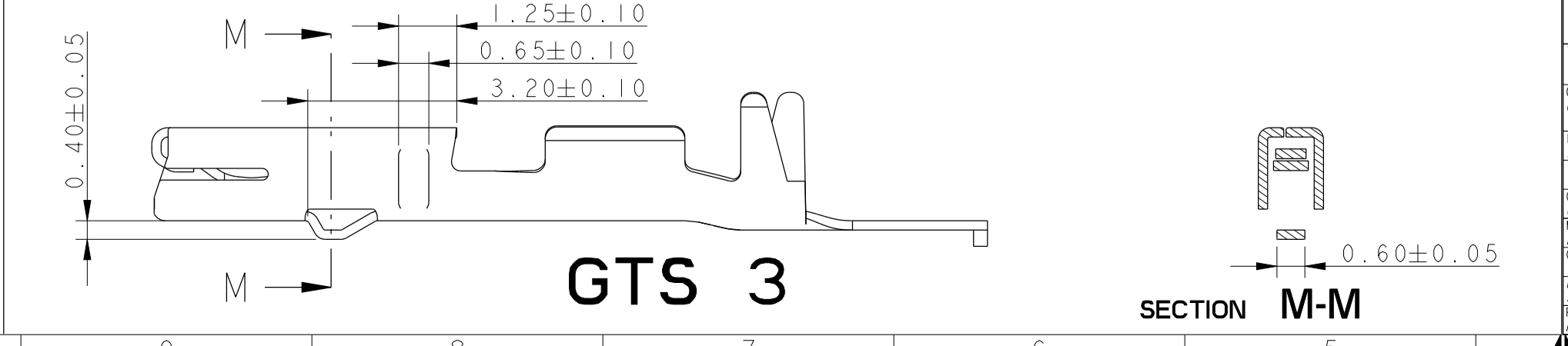


Etat / State		Références			Material	Classe
GTS 1	MVL P/N	PP10001619	PP10000489	PP10000490	Cu Ni 3 Si 1 Mg	125°
	REVISION	A	A	A		
	DELPHI P/N	13955989	13648598	13768627		
GTS 3	REVISION	01	01	01		
	MVL P/N	260 CC I S 0120	260 CC I S 1120	260 CC I S 2120		
	DELPHI P/N	33500712	33502051	33500713		
REVISION	01	01	01			
Section / Gauge		0.22 to 0.35	0.5	0.75 to 1		
∅ Isolant Insulation		1.2 to 1.5	1.4 to 1.7	1.6 to 1.9		
A		1.49	1.82	2.24		
B		1.64	2.04	2.37		
C		0.3	0.4	0.6		
D ± 0.3		2.82	2.94	3.3		
E		2.67	2.96	3.5		
F		0.85	0.85	0.85		
G ± 0.10		5.10	5.10	4.85		
H		3.0	3.0	3.5		



SECTION B-B



SECTION M-M

DETAIL OF RANGE 2

NOTE :
 1 - FOR CRMP SPECIFICATION , SEE : FE CS 06 005
 2 - FOR PACKAGING , SEE : PU N°076
 3 - () NO TOLERANCED DIMENSIONS, GIVEN FOR INFORMATION

ECN-NO. / NUMERO ECN		POSITION / POSITION		CHANGE DESCRIPTION / MODIFICATION	
PROJECT SPEC. / SPECIF. PRODUIT		PACKAGING SPEC. / SPECIF. EMBALAGE		APPLICATION SPEC. / SPECIF. APPLICATION	
DATE / DATE		NAME / NOM		TITLE / TITRE	
DESIGNED BY / CONCEPTEUR		CHECKED BY / VERIFIEUR		APPROVED BY / APPROUVEUR	
DRAWING NUMBER / REF. PLAN		DRAWING NUMBER / REF. PLAN		DRAWING NUMBER / REF. PLAN	
REV. / REV.		REV. / REV.		REV. / REV.	
DATE / DATE		DATE / DATE		DATE / DATE	
BY / PAR		BY / PAR		BY / PAR	
FOR / POUR		FOR / POUR		FOR / POUR	
FILE NAME / NOM DE FICHER		FILE NAME / NOM DE FICHER		FILE NAME / NOM DE FICHER	