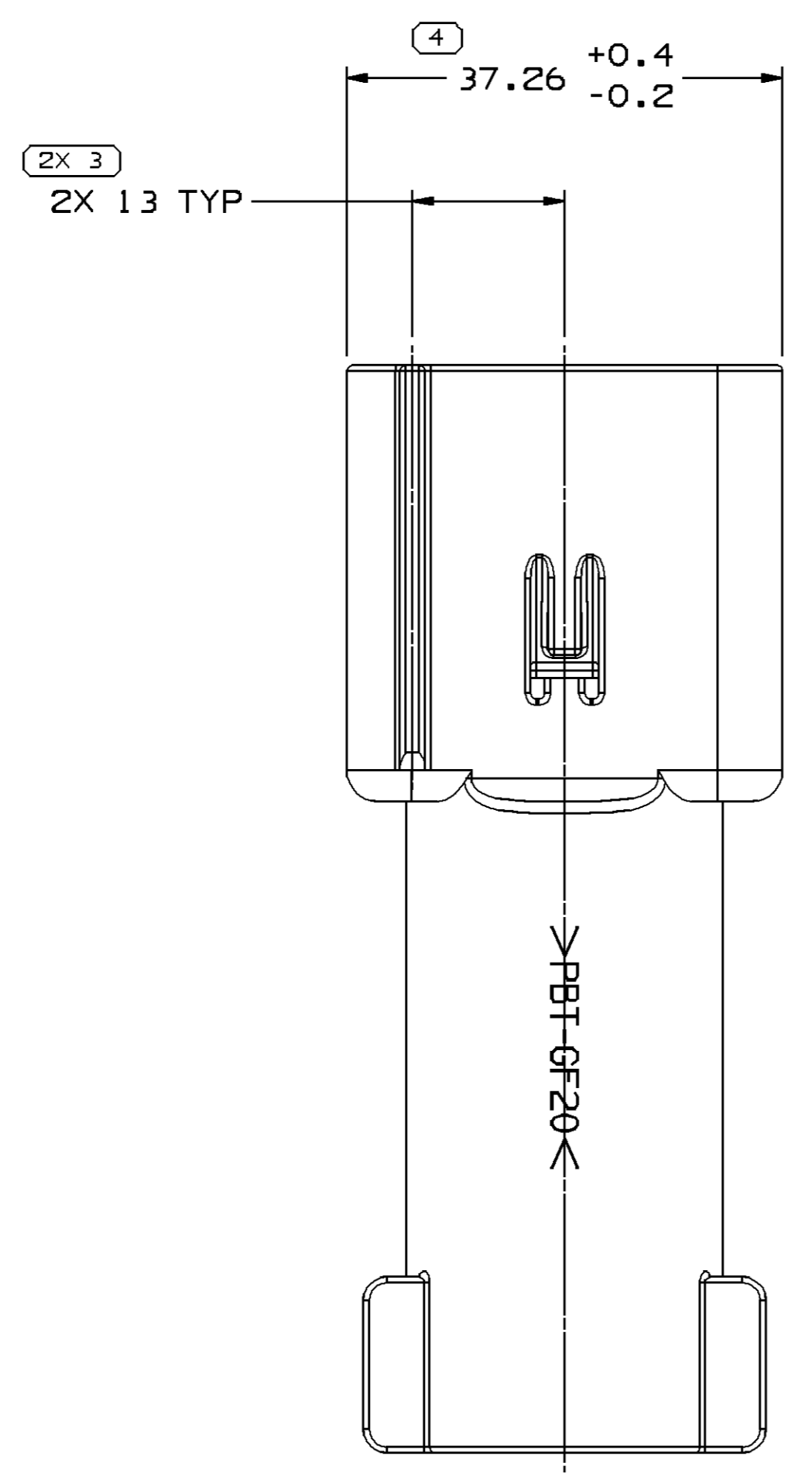
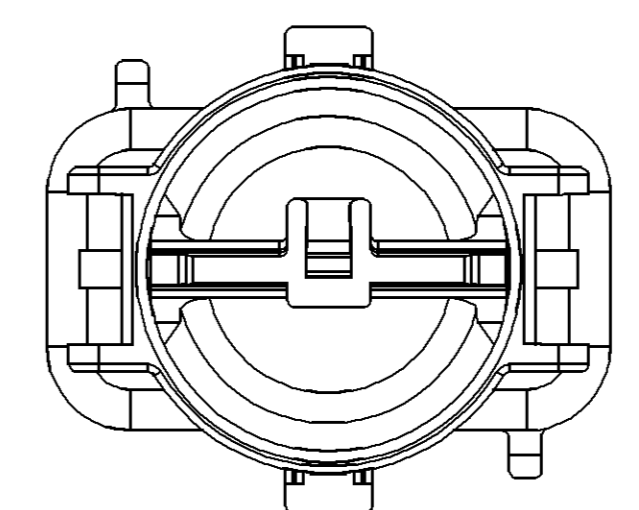
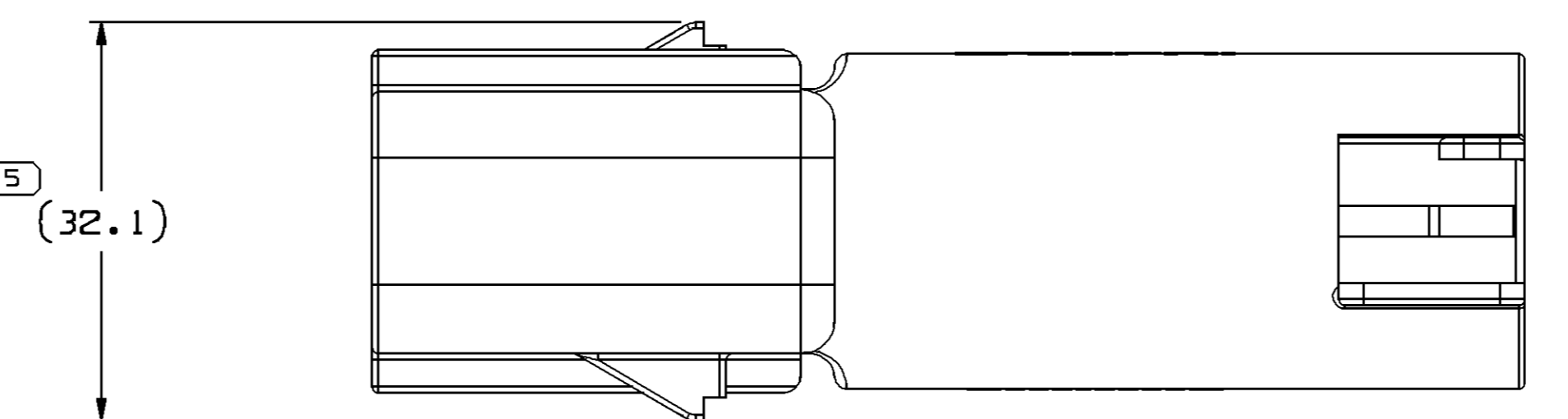
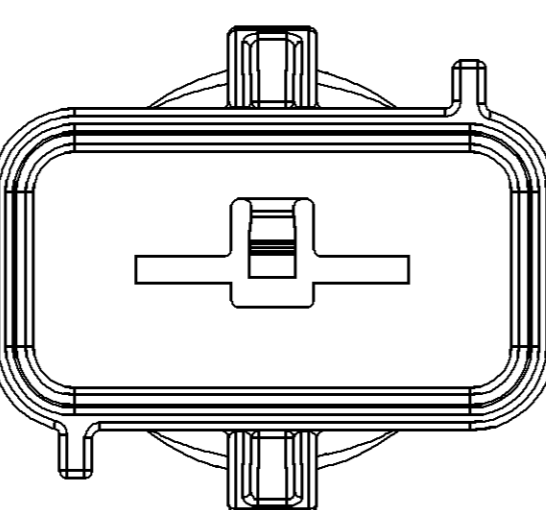
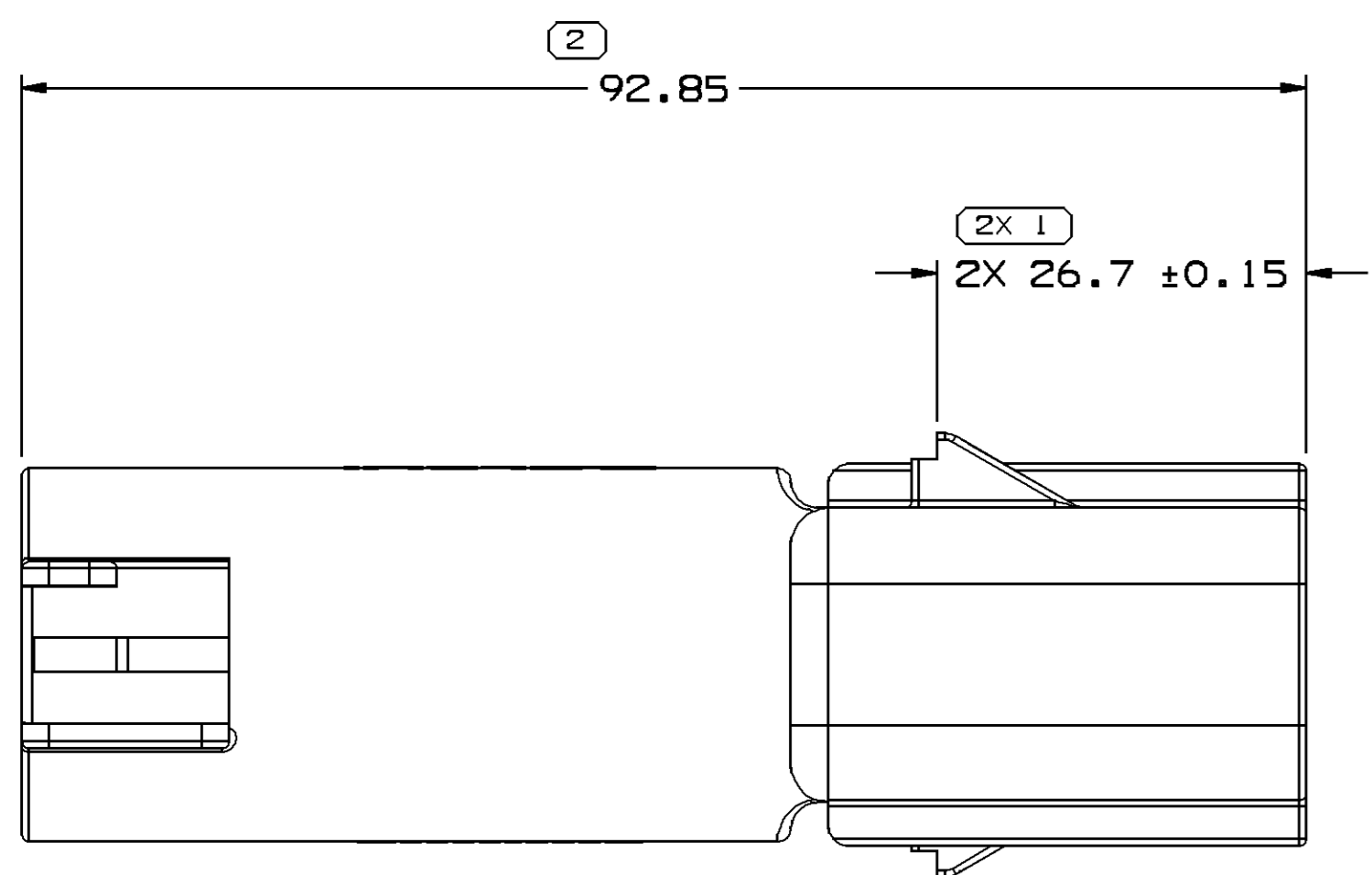
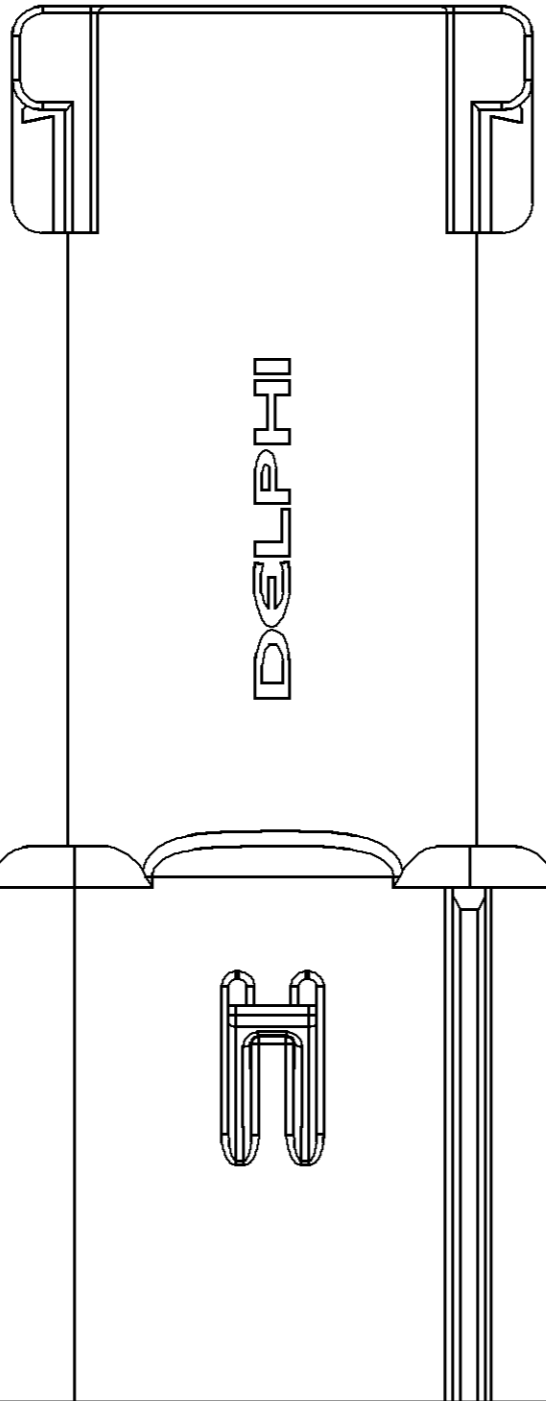
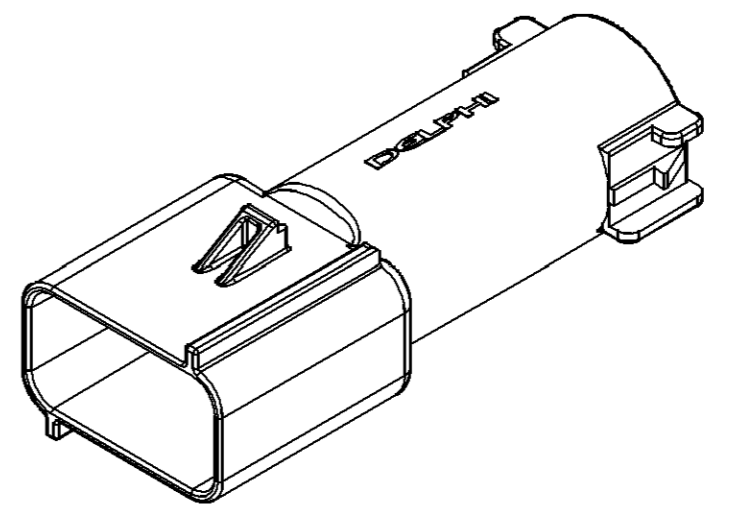


SYMBOL DEFINITION		TOTAL NO OF INSPECTIONS REQUIRED
A DIMENSION WITHOUT AN INSPECTION REPORT SYMBOL ( ) DOES NOT REQUIRE INSPECTION. IT MAY BE CONTROLLED ON THE INDIVIDUAL COMPONENT DRAWING.		7
	LAST NO. USED	5

MISSING SYMBOLS					REVISION HISTORY			AUTH	DR	AP/D
DATE	STG	REV	N/P	CHG	ZONE					
04MR05	R	01	-	-		WAS PE133027 AND RELEASED	264996	BRB	BRB	60
13JUL05	R	01	AA	-		UPDATED PDM ATTRIBUTES	270014	TAI	TAI	60
05AUG05	R	01	AB	-		37.26+0.4/-0.2 WAS 37.26+0.2	271088	JS	JS	60
19AP06	R	01	AC	-		ADDED NOTE #6	279620	RH	RH	60



- NOTES**
- UNLESS OTHERWISE SPECIFIED AND/OR INDICATED: DIMENSIONS ARE TO FACE OF VIEW SHOWN AND AUTOMATICALLY ROUNDED BY COMPUTER FOR INSPECTION (SEE MATH MODEL FOR PRECISE DIMENSIONS). FOR ALL OTHER DIMENSIONS NOT SHOWN BUT REQUIRED FOR TOOL BUILD, SEE MATH MODEL FOR PRECISE TOOL PATH DATA.
  - MATERIAL RECYCLING CODE PER ISO 11469, (2.31X10.05) CHARACTERS AS SHOWN TO BE LOCATED ON ANY EXTERIOR SURFACE.
  - REFERENCE MATING COMPONENTS OR EQUIVALENT: CONNECTOR ASSEMBLY 13520916
  - THIS PART ACCEPTS THE FOLLOWING COMPONENTS OR EQUIVALENT: TERMINAL 13520914, CABLE SEAL 15411422, TERMINAL POSITION ASSURANCE LOCK 13520911
  - (2.31X10.05) DELPHI CORPORATE BRAND TO BE LOCATED ON ANY EXTERIOR SURFACE, PREFERABLY VISIBLE AT FINAL ASSEMBLY. OPTIONAL CONSTRUCTION TO BE "PED".
  - CONNECTOR ENGAGE FORCE GREATER THAN 75N



PART DRAWING																																					
VOLUME 10/11	DISTR CODE																																				
21.468	D																																				
UNLESS OTHERWISE SPECIFIED																																					
THIS DOCUMENT IS IN ACCORDANCE WITH ASME Y14.5M-1994 AS MODIFIED BY THE MDCS DIMENSIONAL CONTROL AND TOLERANCE ADDENDUM-2001. SEPARATE LIMITS OF FEATURES MAY BE BASED SEPARATELY PER POLARIS OF DATUM REFERENCES.																																					
ALL DIMENSIONS ARE IN MILLIMETERS																																					
REFERENCE																																					
THIRD ANGLE PROJECTION																																					
DO NOT SCALE																																					
USE MATH DATA																																					
<table border="1"> <thead> <tr> <th colspan="2">DIMENSIONAL RANGE (MM)</th> <th colspan="2">SHORT ET</th> </tr> <tr> <th>FROM</th> <th>TO</th> <th></th> <th></th> </tr> </thead> <tbody> <tr> <td>&gt; 0</td> <td>&gt; 30</td> <td>&gt; 100</td> <td>&gt; 300</td> </tr> <tr> <td>20</td> <td>30</td> <td>100</td> <td>300</td> </tr> <tr> <td>150</td> <td>200</td> <td>250</td> <td>400</td> </tr> <tr> <td colspan="4">TOLERANCE UNLESS OTHERWISE SPECIFIED</td> </tr> <tr> <td>±0.15</td> <td>±0.2</td> <td>±0.3</td> <td>±0.4</td> </tr> <tr> <td>±0.5</td> <td>±0.6</td> <td>±0.8</td> <td>±1</td> </tr> <tr> <td>±1.2</td> <td colspan="3">ANGULAR TOLERANCE 20'</td> </tr> </tbody> </table>		DIMENSIONAL RANGE (MM)		SHORT ET		FROM	TO			> 0	> 30	> 100	> 300	20	30	100	300	150	200	250	400	TOLERANCE UNLESS OTHERWISE SPECIFIED				±0.15	±0.2	±0.3	±0.4	±0.5	±0.6	±0.8	±1	±1.2	ANGULAR TOLERANCE 20'		
DIMENSIONAL RANGE (MM)		SHORT ET																																			
FROM	TO																																				
> 0	> 30	> 100	> 300																																		
20	30	100	300																																		
150	200	250	400																																		
TOLERANCE UNLESS OTHERWISE SPECIFIED																																					
±0.15	±0.2	±0.3	±0.4																																		
±0.5	±0.6	±0.8	±1																																		
±1.2	ANGULAR TOLERANCE 20'																																				

DELPHI	
DELPHI PACKARD ELECTRIC SYSTEMS	
WYREN, OH	
DR	DATE
AP/D01 BARRY BURNS	04MR05
AP/D02 BARRY BURNS	04MR05
AP/D03 GARY DETTER	07MR05
AP/D04	
AP/D05	
SUBSTANCES OF CONCERN AND RECYCLED CONTENT PER DELPHI 1094001	
MATERIAL: W4629002 PBT GF20 BLK	
DRAWING NAME	
CONN 1 M PWR PACK 2000 BLK SLD	
DRAWING NUMBER	
13520909	
SIZE	SCALE
A0	2:1
FRAME NO	SHEET NO
1 OF 1	1 OF 1
STG	REV
R	01
AC	