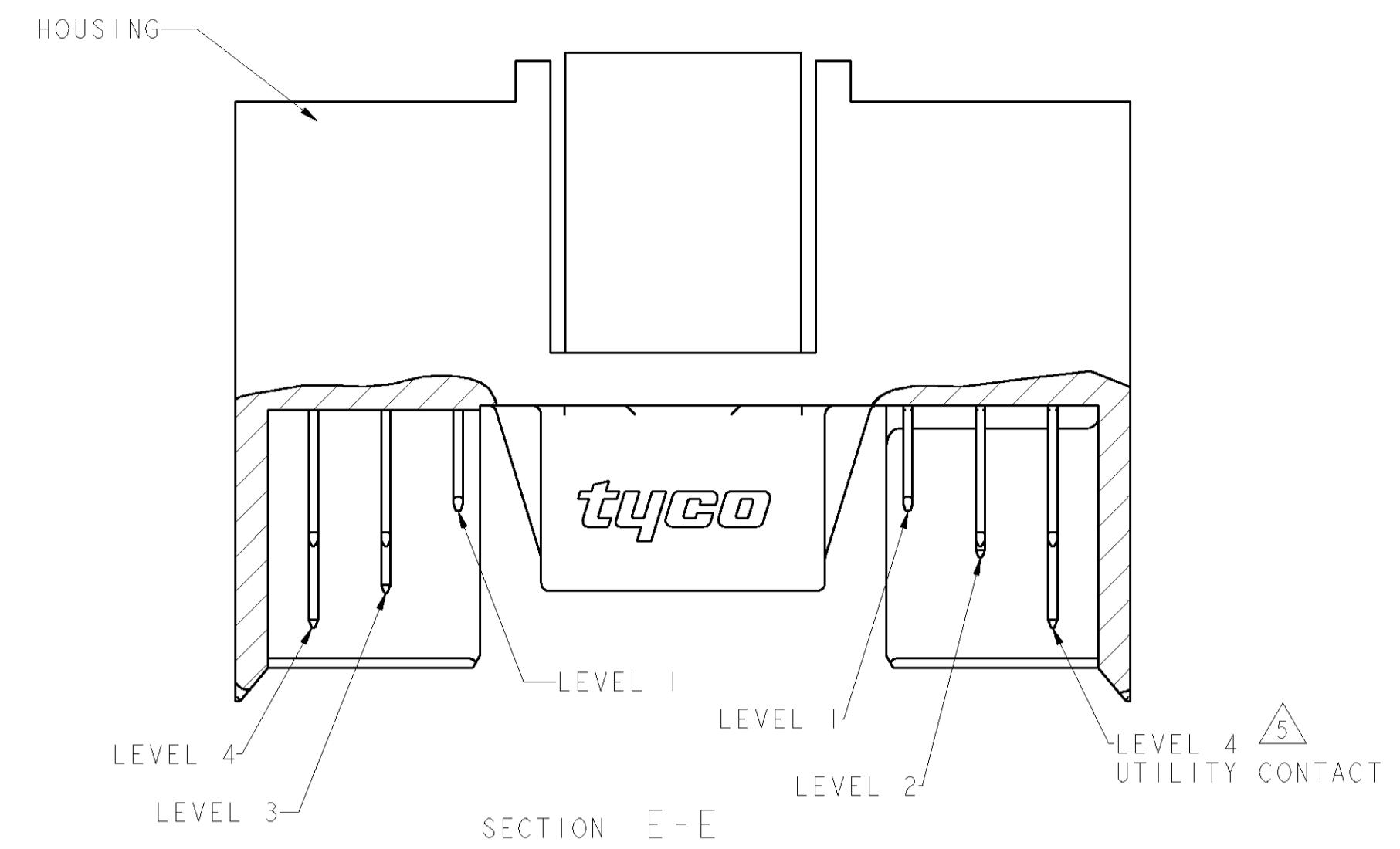
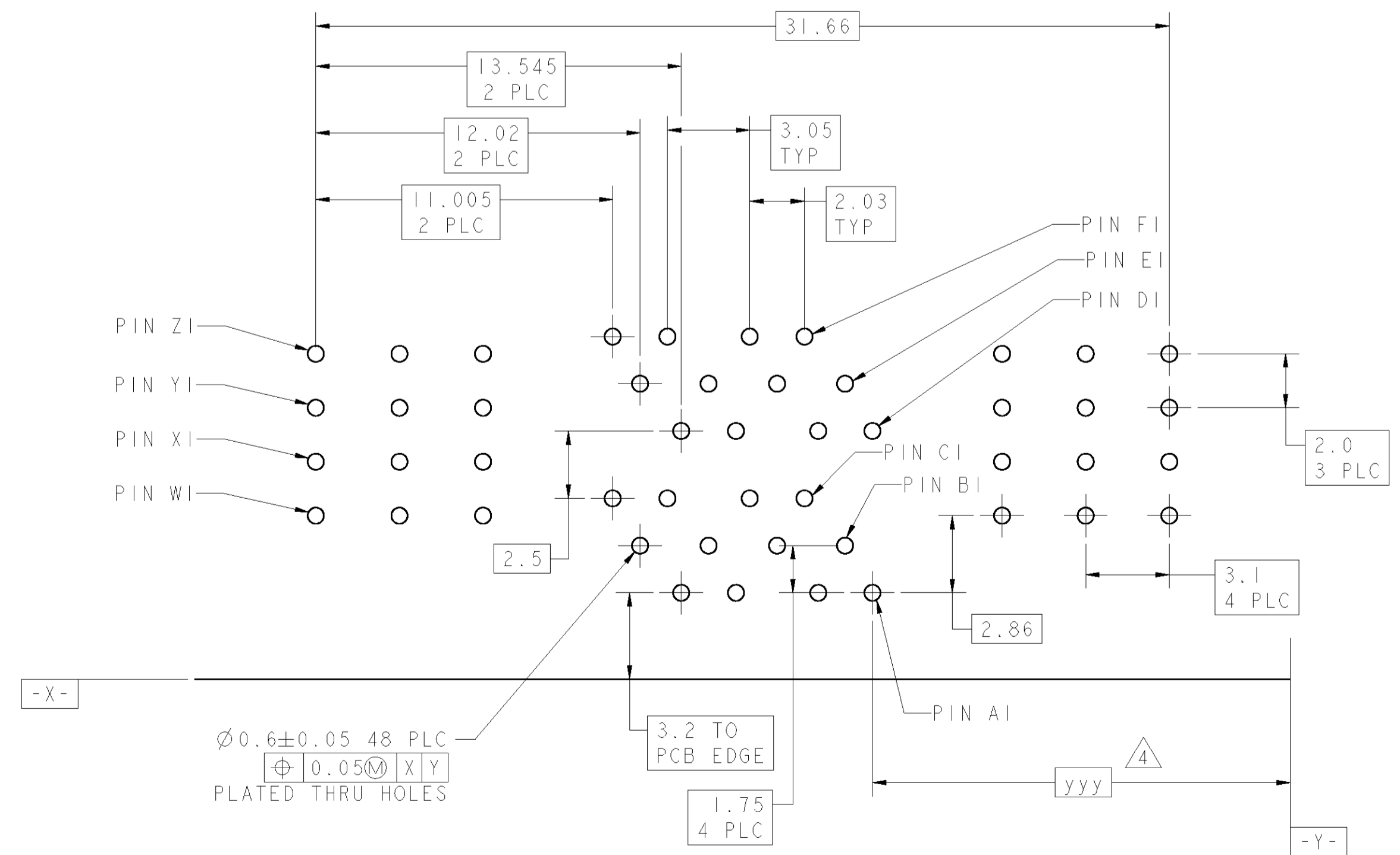
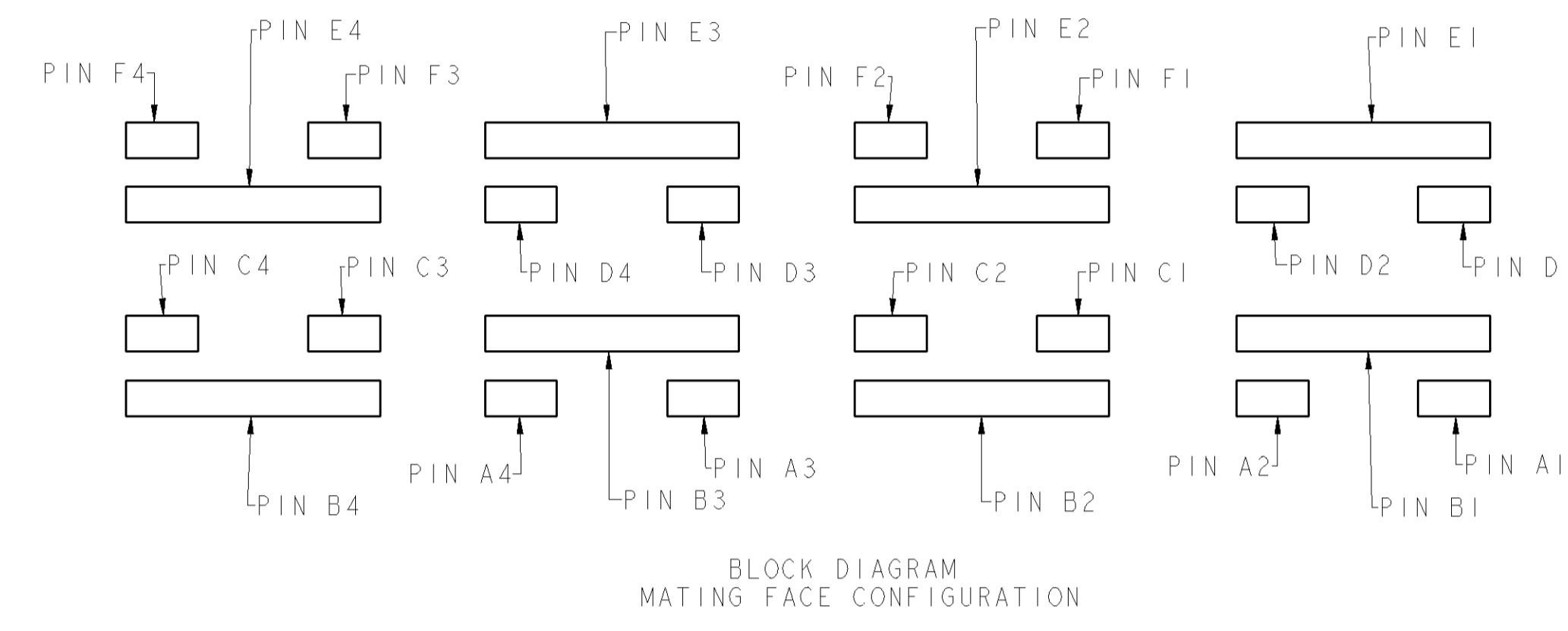
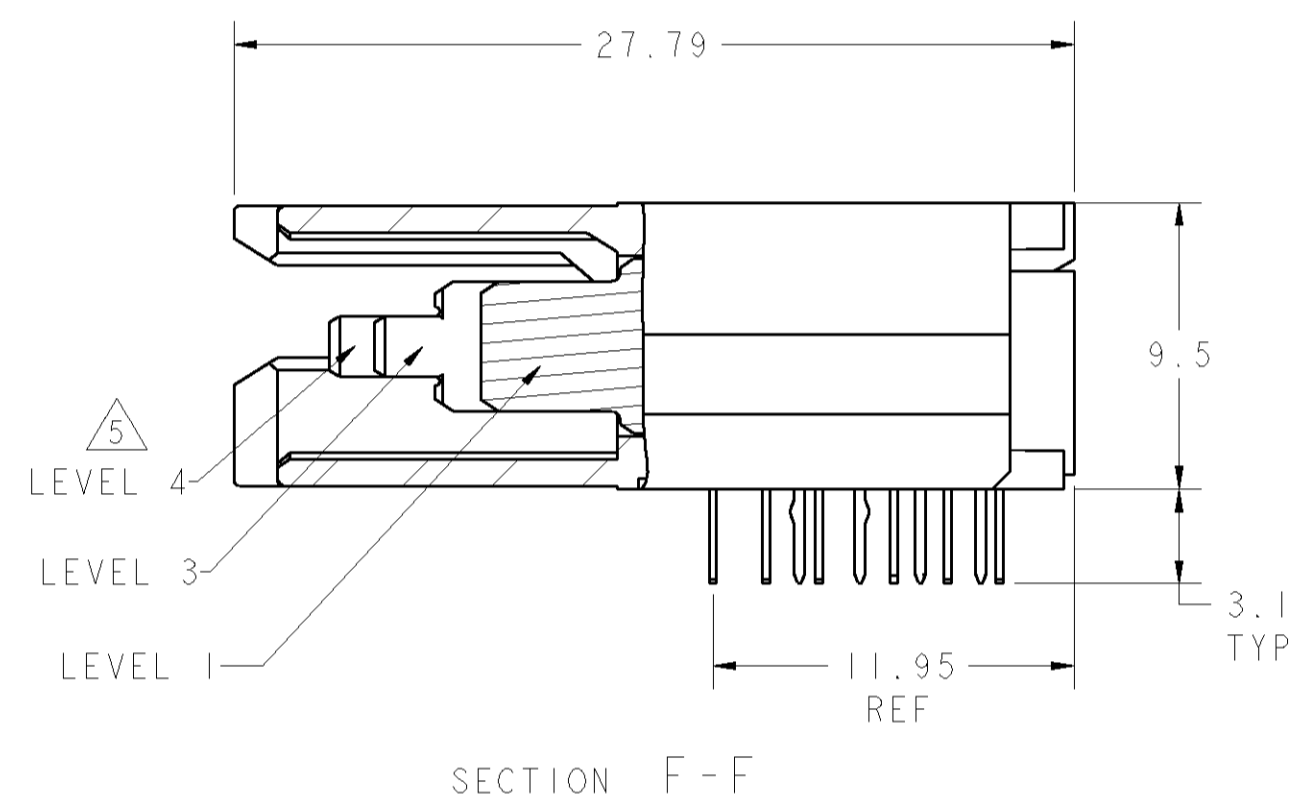
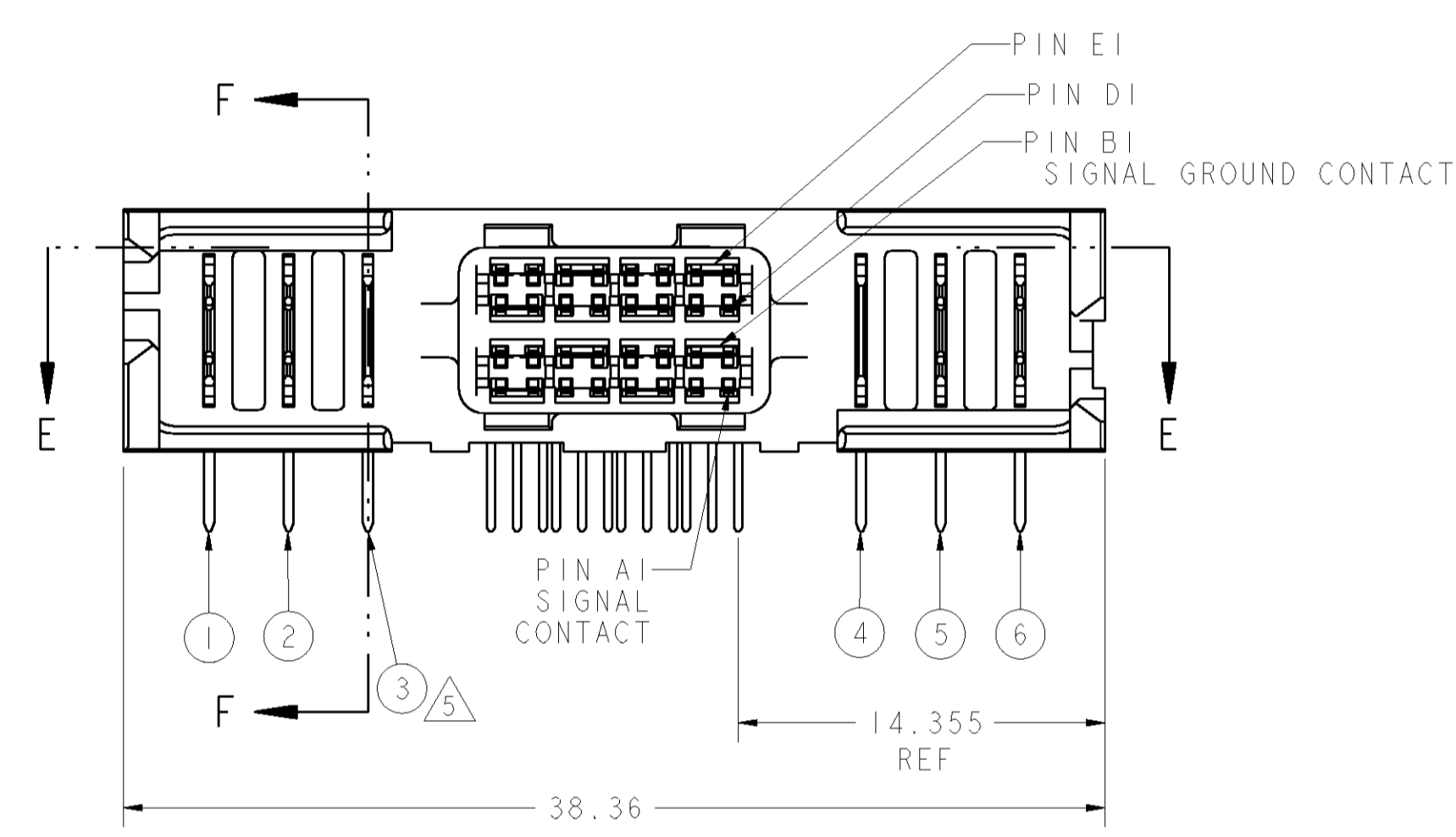


LOC		DIST		REVISONS			
P	LTR	DESCRIPTION	DATE	BY	APPD		
A		REV PER ECO-05-009021	28OCT2005	EDB	EDB		
A1		REV PER ECO-06-002399	01FEB2006	EDB	EDB		



- 1. HOUSINGS; POLYESTER, UL 94V-0 RATED, NATURAL
 SIGNAL AND SIGNAL GROUND CONTACTS: COPPER ALLOY
 UTILITY CONTACTS: PHOSPHOR BRONZE
- 2. UTILITY CONTACTS: 0.76µm MIN GOLD IN CONTACT AREA,
 2.54µm MIN TIN-LEAD ON PCB TAILS, OVER 1.27µm MIN NICKEL OVER ALL.
 SIGNAL AND SIGNAL GROUND CONTACTS: 0.76µm MIN GOLD IN CONTACT AREA,
 2.54µm MIN TIN-LEAD ON PCB TAILS, OVER 1.27µm MIN NICKEL OVER ALL.
- 3. ROWS A, C, D, AND F ARE SIGNAL CONTACTS. ROWS B AND E ARE SIGNAL GROUND CONTACTS.
- 4. DIMENSIONS PER CUSTOMER BOARD LAYOUT.
- 5. SEE UTILITY CONTACT SEQUENCE TABLE FOR LOCATION AND LEVEL/LENGTH OF UTILITY CONTACTS FOR EACH PRODUCT PART NUMBER. UTILITY LEVEL 1 CAN BE USED FOR SENSING. UTILITY LEVELS 2, 3, AND 4 CAN BE USED FOR POWER, GROUND, OR ESD. SEQUENCING SHOWN IN SECTION E-E SHOWS THREE LEVELS FOR COMPARISON. UTILITY LEVEL 2 EQUALS THE SIGNAL GROUND CONTACT LEVEL. SIGNAL LEVEL IS BETWEEN UTILITY LEVELS 1 AND 2.
- 6. BLOCK DIAGRAM AND CONTACT IDENTIFICATION APPLY TO COPLANAR NON-INVERTED APPLICATION ONLY. CONTACT IDENTIFICATION REVERSES FOR INVERTED APPLICATIONS, I.E COPLANAR OR MID-BOARD INVERTED.



UTILITY CONTACT SEQUENCE TABLE						
UTILITY CONTACT LEVEL 1, 2, 3, OR 4						
1	2	4	4	2	2	1367551-2
4	3	2	2	3	4	1367551-1
①	②	③	④	⑤	⑥	PART NUMBER
UTILITY CONTACT LOCATION						

RECOMMENDED PC BOARD FOOTPRINT
 COMPONENT SIDE SHOWN
 SCALE 6:1

DIMENSIONS:		TOLERANCES UNLESS OTHERWISE SPECIFIED:		DWN J. J. MILLER 28OCT02		Tyco Electronics Tyco Electronics Harrisburg, PA 17105-3608	
mm	0 PLC ±	1 PLC ±0.3	2 PLC ±0.25	3 PLC ±	4 PLC ±	ENR N. REESER 12NOV02	APVD N. REESER 12NOV02
MATERIAL:		FINISH:		PRODUCT SPEC 108-1985		NAME Z-DOK+ ADAPTER BOARD CONNECTOR ASSEMBLY, 8 SIGNAL DIFF. PAIR, 3 UTILITY CONTACTS PER SIDE	
CUSTOMER DRAWING		SCALE 1:1		APPLICATION SPEC 114-13068		SIZE CAGE CODE DRAWING NO RESTRICTED TO	
				WEIGHT -		A1 00779 C=1367551	
						SHEET 1 OF 1 REV A1	