

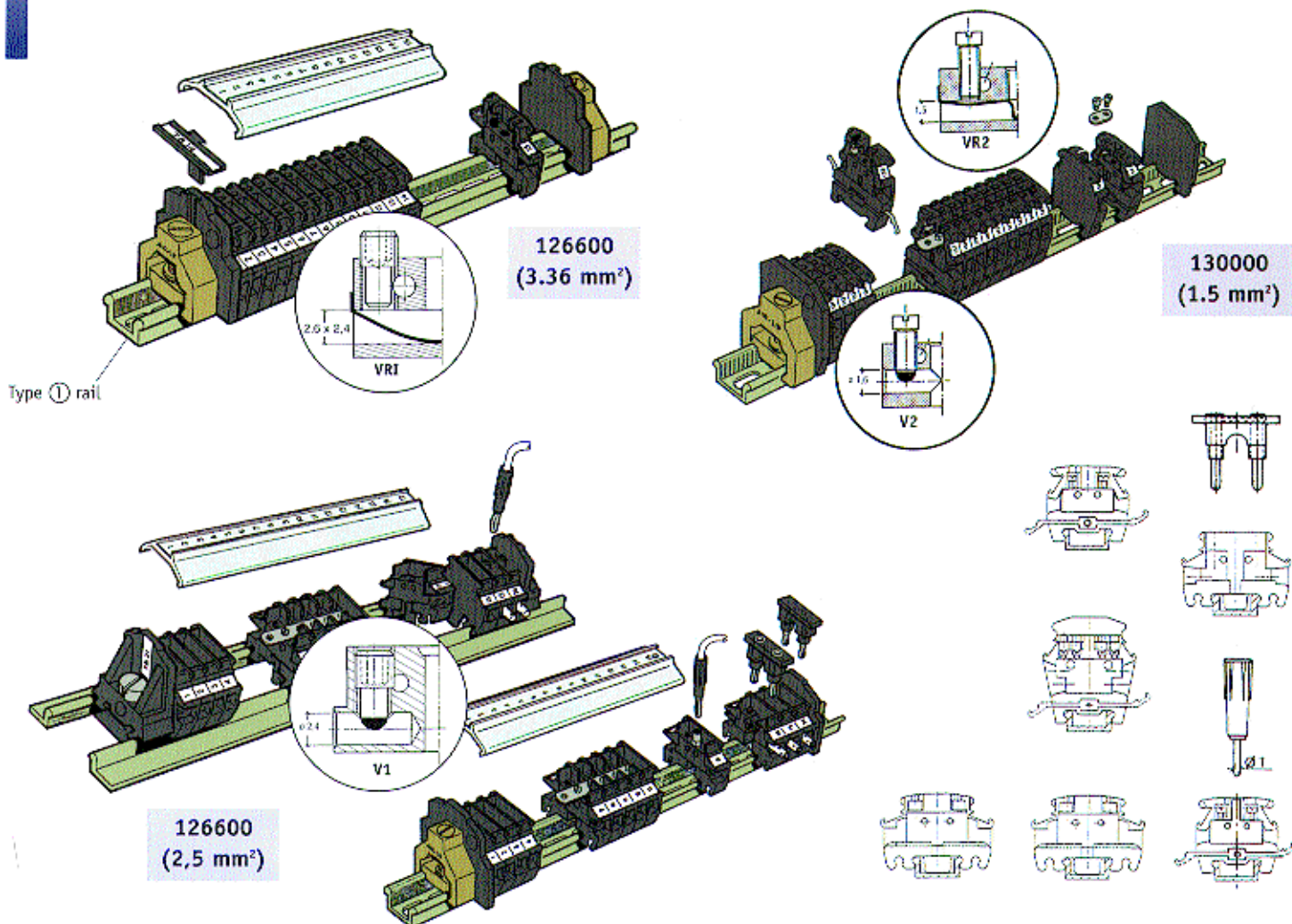


"BJV" SCREW TERMINAL BLOCKS

- Screw assembly within a metallic terminal.
- Snap-on assembly on a metallic rail type ① or ②, snap-off disassembly without special tools.
- Available in several versions of screw assemblies:
 - Directly with the screw within the terminal
 - Indirectly with a terminal end or metal strip placed between the screw and the terminal cable.
 - Combined assemblies with other fixation types, clip tabs, solder, wire wrap, with or without components.

SECTION 4[°]

TYPE ① RAIL



TECHNICAL DATA

SCREW INSULATION:

- Thermoplastic polyamide type 11 - translucent
Temperature : -40°C +80°C
- Thermoplastic polyamide type 6.6 - black
Temperature : -40°C +100°C

PERMISSIBLE SECTION : 1 mm² to 16 mm²

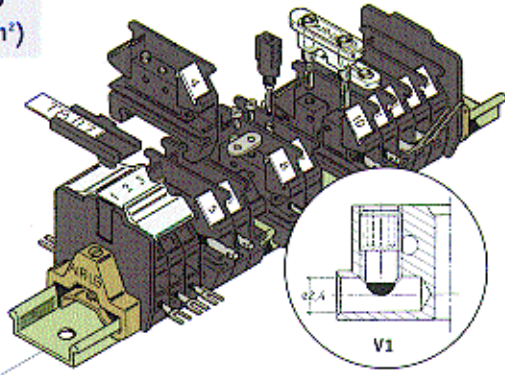
CURRENT CARRYING CAPACITY : 5 A to 25 A



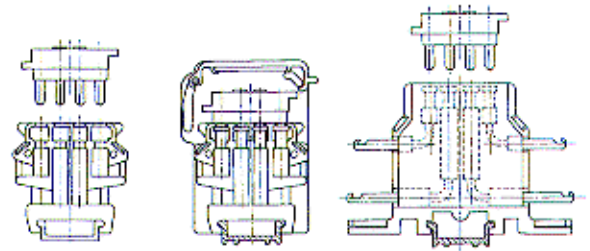
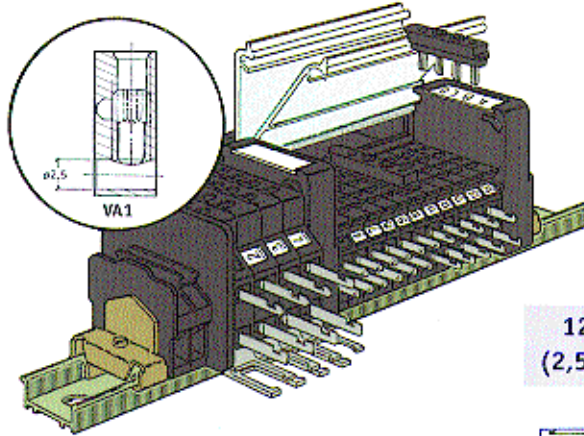
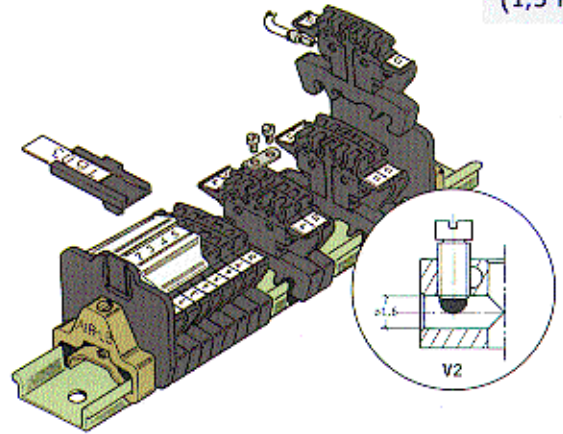
295 Kesmark
Dollard-des-Ormeaux,
Quebec, Canada H9B 3J1
Tel.: (514) 421-2153
Fax: (514) 421-3408
www.air-lb.ca

12600
(2,5 mm²)

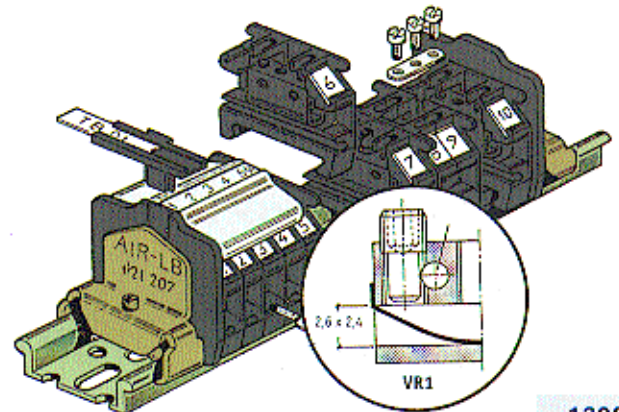
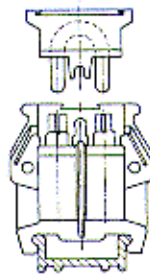
Type ② rail



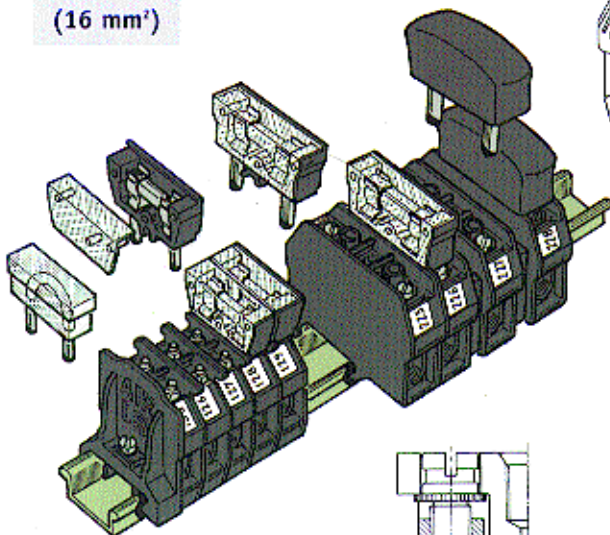
130300
(1,5 mm²)



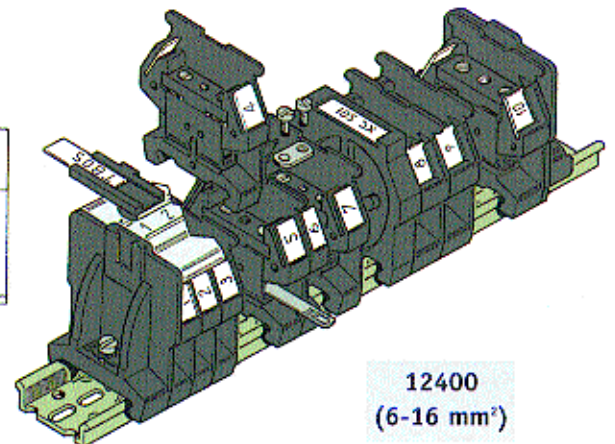
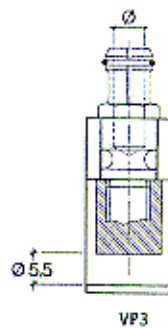
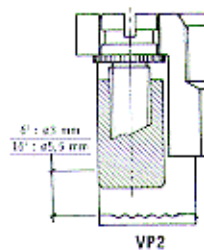
12900
(2,5 mm²)



12500
(16 mm²)



129800
(3,36 mm²)



12400
(6-16 mm²)

The surface treatment of metallic terminals varies according to environmental conditions and the type of connections.