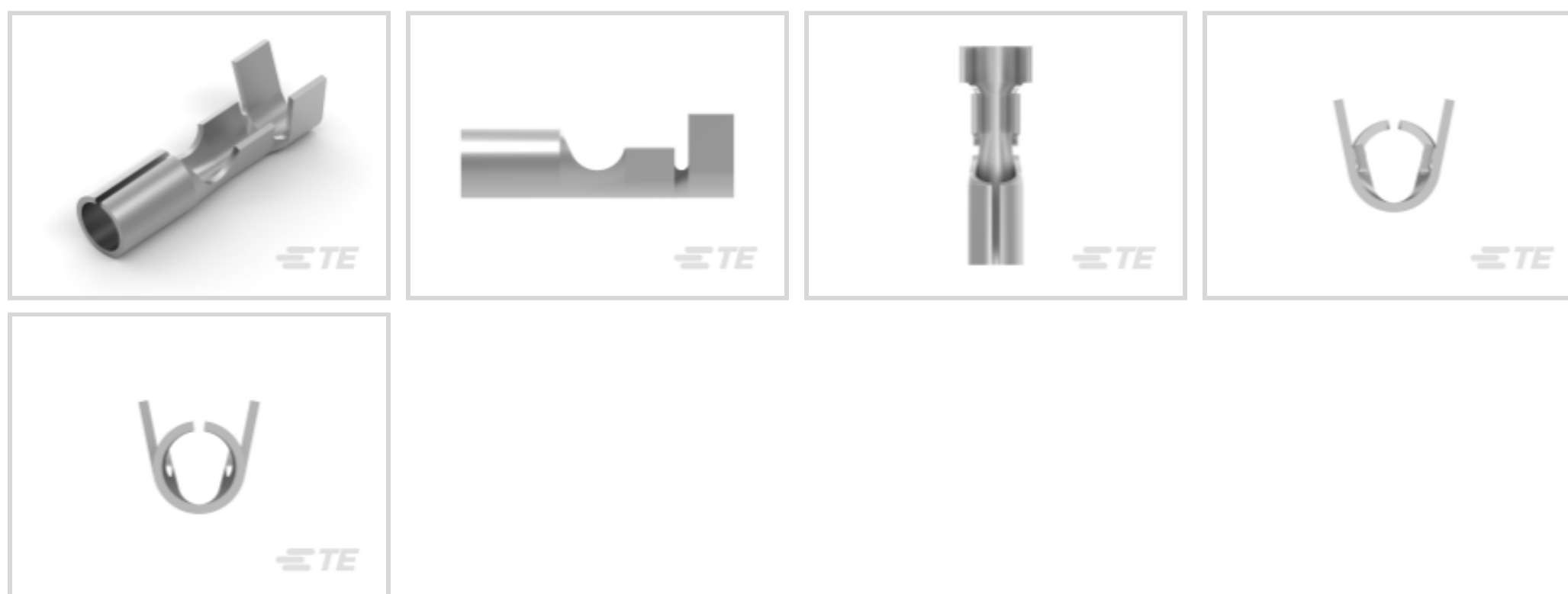




TE Internal #: 140712-1
 Crimp Wire Pins, Tabs & Ferrules, Receptacle, Pin Diameter 3.96 mm [.155 in], 18 – 14 AWG Wire Size, .8 – 2.5 mm² Wire Size, 1624 – 4106 CMA Wire Size

[View on TE.com >](#)

Terminals & Splices > Crimp Wire Pins, Tabs & Ferrules



Crimp Wire Pin, Tab & Ferrule Terminal Type: **Receptacle**

Pin Diameter: **3.96 mm [.155 in]**

Accepts Wire Insulation Diameter Range: **3.3 – 4.5 mm, 4.5 mm [.13 – .177 in, .177 in]**

Wire Size: **.8 – 2.5 mm²**

Features

Product Type Features

| | |
|--|--------------------|
| Compatible With Discrete Wire Type | Stranded |
| Wire Insulation Support Retention Type | Insulation Support |

Configuration Features

| | |
|-----------------------------------|---------------|
| Compatible With Wire & Cable Type | Discrete Wire |
|-----------------------------------|---------------|

Body Features

| | |
|-------------|----|
| Double Wire | No |
|-------------|----|

Contact Features

| | |
|---|----------------|
| Terminal Length | 6.4 mm[.25 in] |
| Crimp Wire Pin, Tab & Ferrule Terminal Type | Receptacle |
| Barrel Type | Open |
| Terminal Plating Material | Tin |
| Terminal Orientation | Straight |

Termination Features

| | |
|-----------------|---------|
| Bullet Terminal | Without |
|-----------------|---------|

Mechanical Attachment



| | |
|-------------------------|------|
| Wire Insulation Support | With |
|-------------------------|------|

Dimensions

| | |
|--|--|
| Pin Diameter | 3.96 mm [.155 in] |
| Accepts Wire Insulation Diameter Range | 3.3 – 4.5 mm, 4.5 mm [.13 – .177 in] [.177 in] |
| Wire Size | 1624 – 4106 CMA |
| Barrel Inside Diameter | 2.03 mm, 3.59 mm [.08 in] [.14 in] |
| Terminal Material Thickness | .46 mm [.018 in] |
| Overall Product Length | 17.5 mm [.689 in] |

Usage Conditions

| | |
|-------------------|-------------|
| Insulation Option | Uninsulated |
|-------------------|-------------|

Operation/Application

| | |
|------------|----|
| Heavy Duty | No |
|------------|----|

Packaging Features

| | |
|--------------------|------|
| Packaging Quantity | 5000 |
| Packaging Method | Reel |

Product Compliance

[For compliance documentation, visit the product page on TE.com>](#)

| | |
|---|---|
| EU RoHS Directive 2011/65/EU | Compliant |
| EU ELV Directive 2000/53/EC | Compliant |
| China RoHS 2 Directive MIIT Order No 32, 2016 | No Restricted Materials Above Threshold |
| EU REACH Regulation (EC) No. 1907/2006 | Current ECHA Candidate List: JAN 2022 (223) Candidate List Declared Against: JAN 2022 (223) Does not contain REACH SVHC |
| Halogen Content | Low Halogen - Br, Cl, F, I < 900 ppm per homogenous material. Also BFR/CFR/PVC Free |
| Solder Process Capability | Not applicable for solder process capability |

Product Compliance Disclaimer

This information is provided based on reasonable inquiry of our suppliers and represents our current actual knowledge based on the information they provided. This information is subject to change. The part numbers that TE has identified as EU RoHS compliant have a maximum concentration of 0.1% by weight in homogenous materials for lead, hexavalent chromium, mercury, PBB, PBDE, DBP, BBP, DEHP, DIBP, and 0.01% for cadmium, or qualify for an exemption to these limits as defined in the Annexes of Directive 2011/65/EU (RoHS2). Finished electrical and electronic equipment products

will be CE marked as required by Directive 2011/65/EU. Components may not be CE marked. Additionally, the part numbers that TE has identified as EU ELV compliant have a maximum concentration of 0.1% by weight in homogenous materials for lead, hexavalent chromium, and mercury, and 0.01% for cadmium, or qualify for an exemption to these limits as defined in the Annexes of Directive 2000/53/EC (ELV). Regarding the REACH Regulation, the information TE provides on SVHC in articles for this part number is based on the latest European Chemicals Agency (ECHA) 'Guidance on requirements for substances in articles' posted at this URL: <https://echa.europa.eu/guidance-documents/guidance-on-reach>

Compatible Parts



TE Part # 42428-5
PIN TERMINAL RECEPTACLE 24-20 AWG TPPHBZ



TE Part # 42745-2
PIN 090 FLAG RECEPTACLE 20-14 AWG TPPHBZ



TE Part # 140712-2
PIN .155 DIA REC 18-14 AWG TPBR



TE Part # 60376-1
PIN 090 RECEPTACLE 20-14 AWG TPPHBZ



TE Part # 153209-2
SHUR PLUG .18 DIA REC 18-16 AWG TPBR



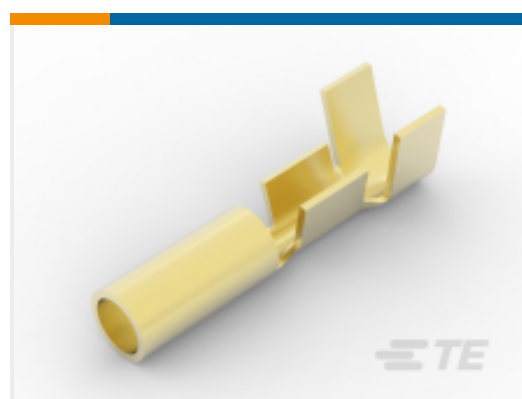
TE Part # 150557
SHUR PLUG



TE Part # 150558-3
SHUR PLUG



TE Part # 140670
SHUR PLUG TIN PLATED AWG 14 18



TE Part # 41870
PIN 093 (2.36 MM) REC 22-18 AWG BR

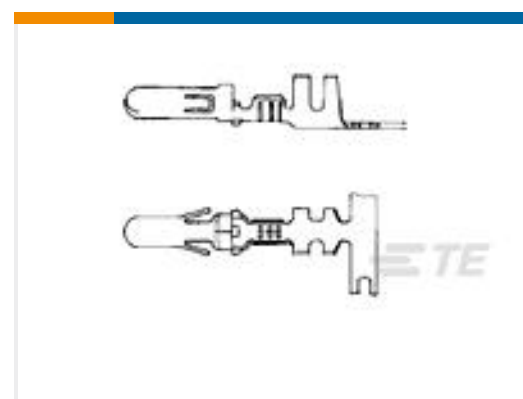


TE Part # 42428-8
040 PIN REC IS 24-20 SPPHBZ

Customers Also Bought



TE Part #1-480349-2
01P CMNL PLUG HSG F/H RED



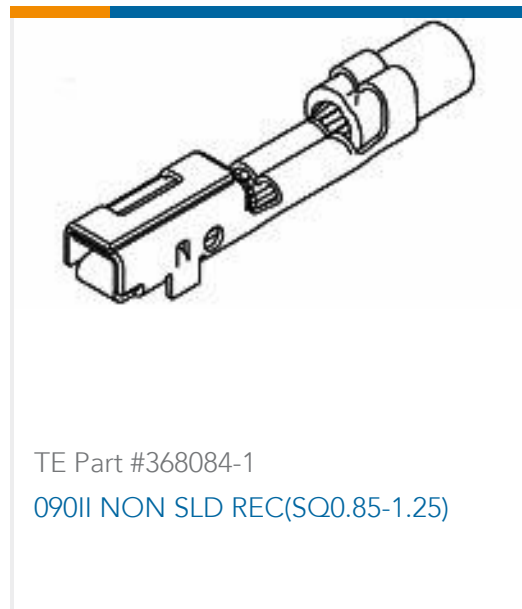
TE Part #925713-2
.140 DIA PIN



TE Part #2-967624-1
TIMER, CONNECTOR HOUSING



TE Part #936289-2
6POS MQS REC COD E



Documents

Product Drawings

TERMINAL SOCKT DIA 4 AWG 14 18 BLANK

English

CAD Files

3D PDF

3D

Customer View Model

[ENG_CVM_CVM_140712-1_V.2d_dxf.zip](#)

English

Customer View Model

[ENG_CVM_CVM_140712-1_V.3d_igs.zip](#)

English

By downloading the CAD file I accept and agree to the [Terms and Conditions](#) of use.