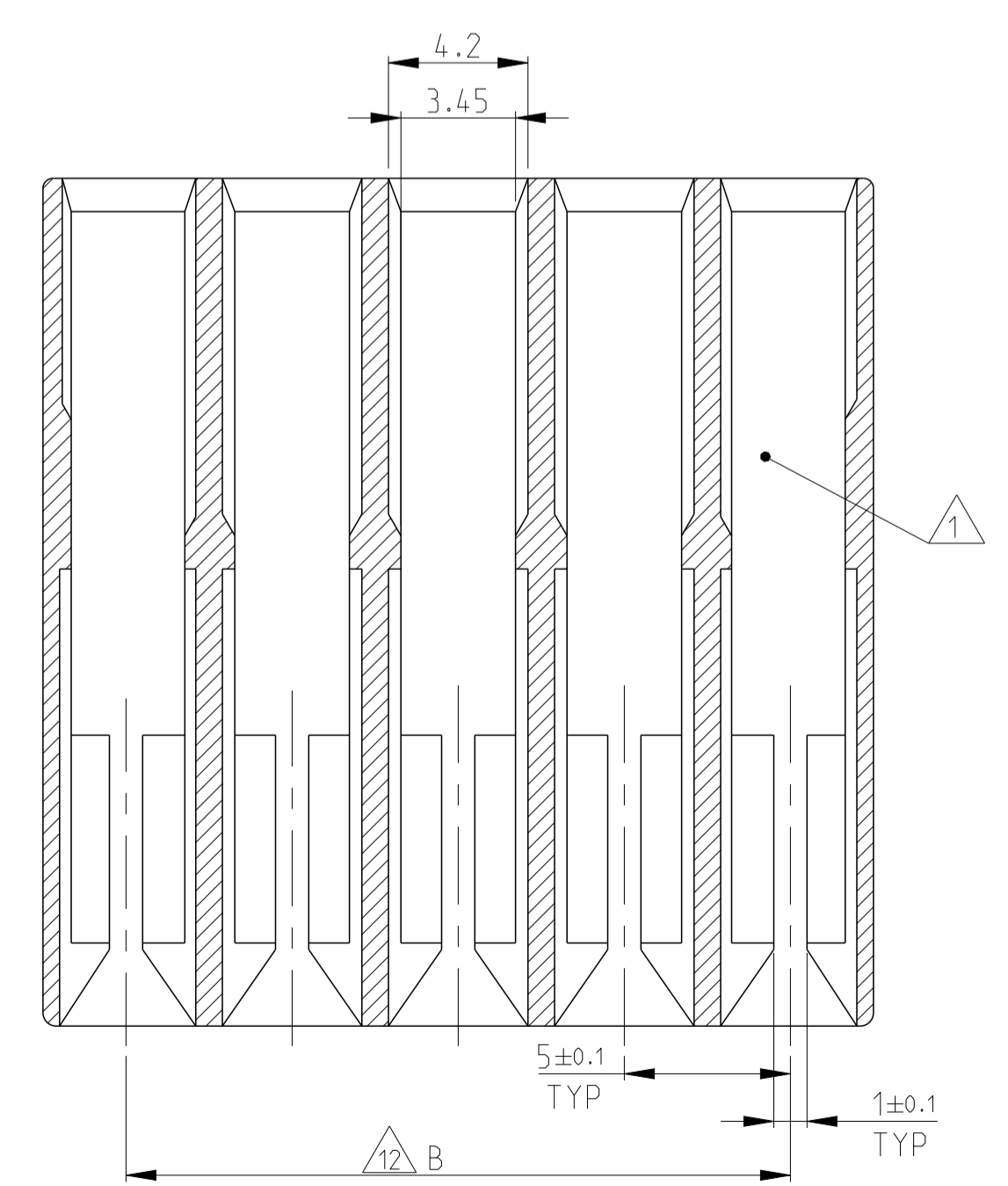
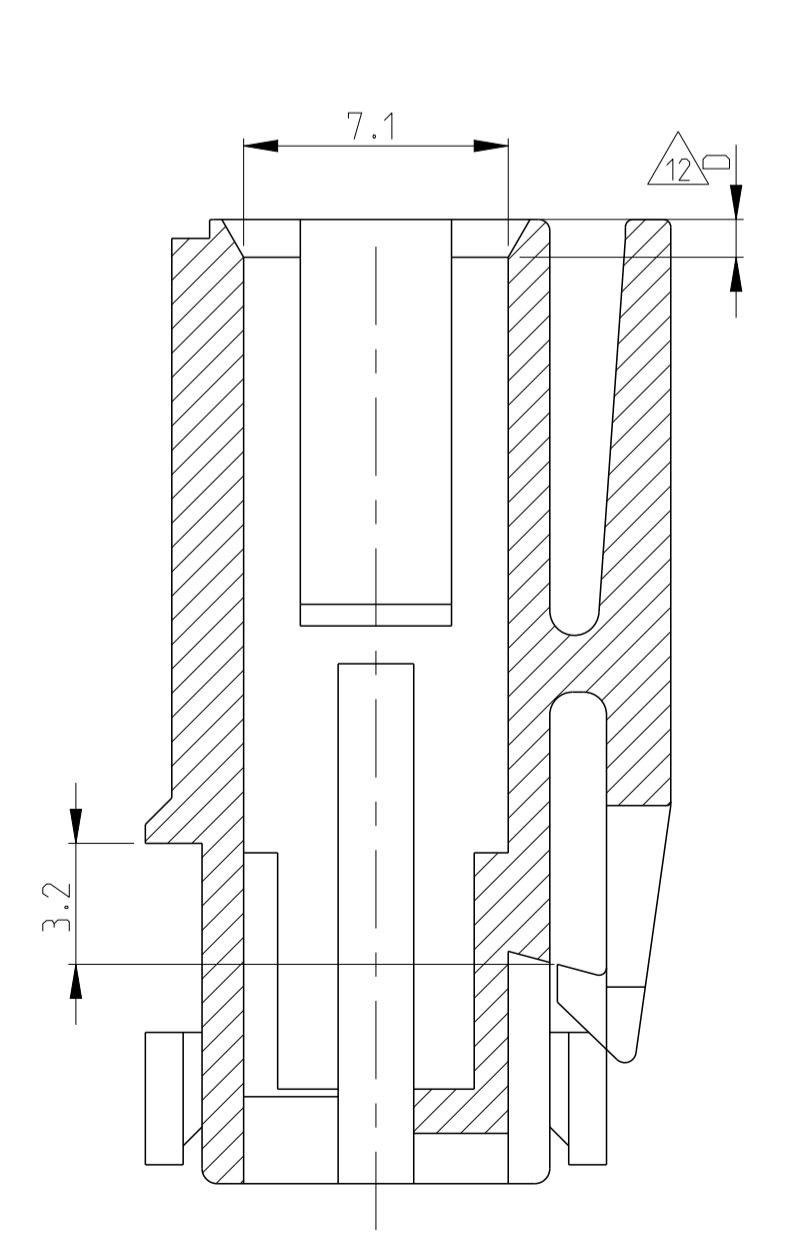
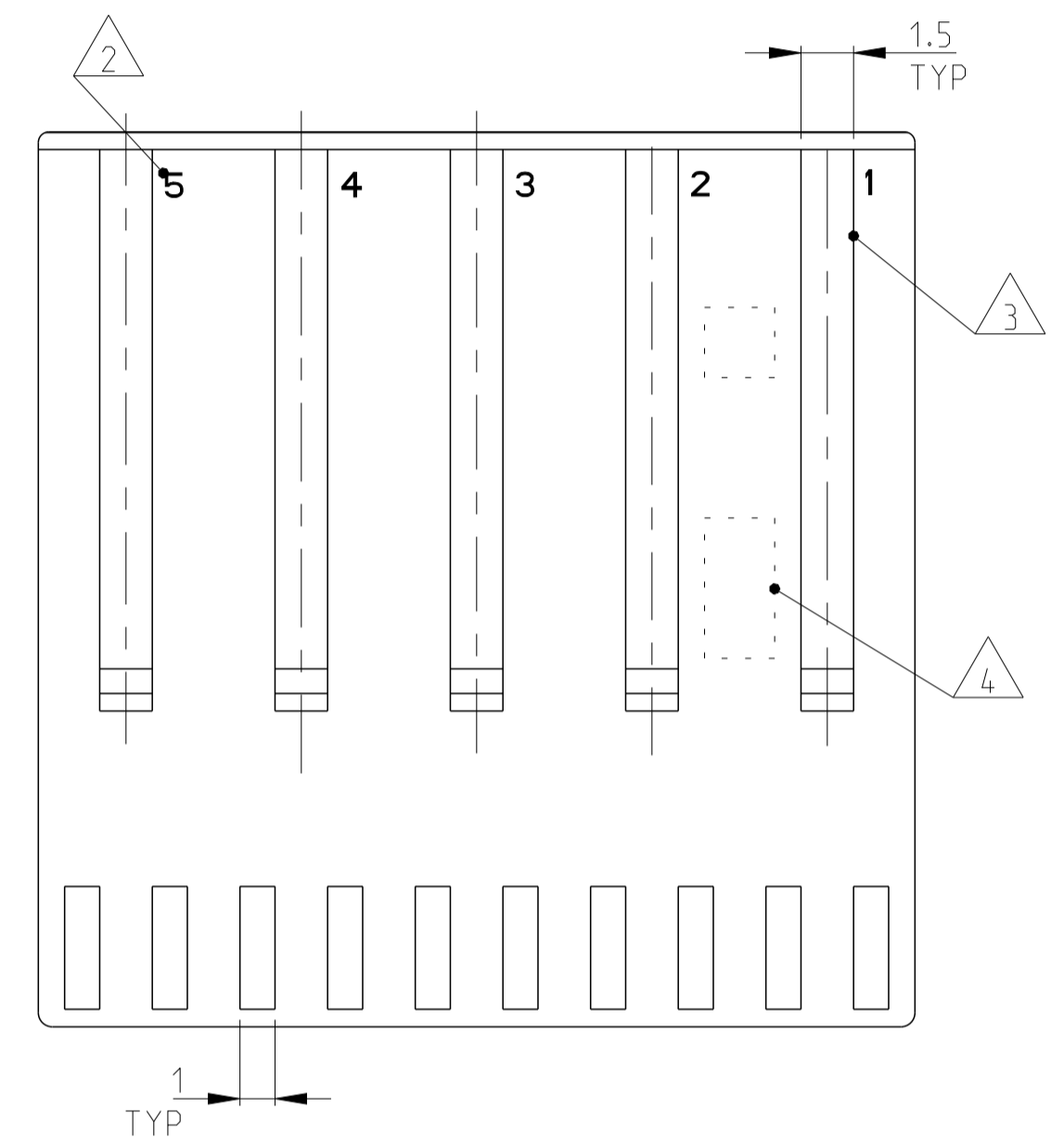
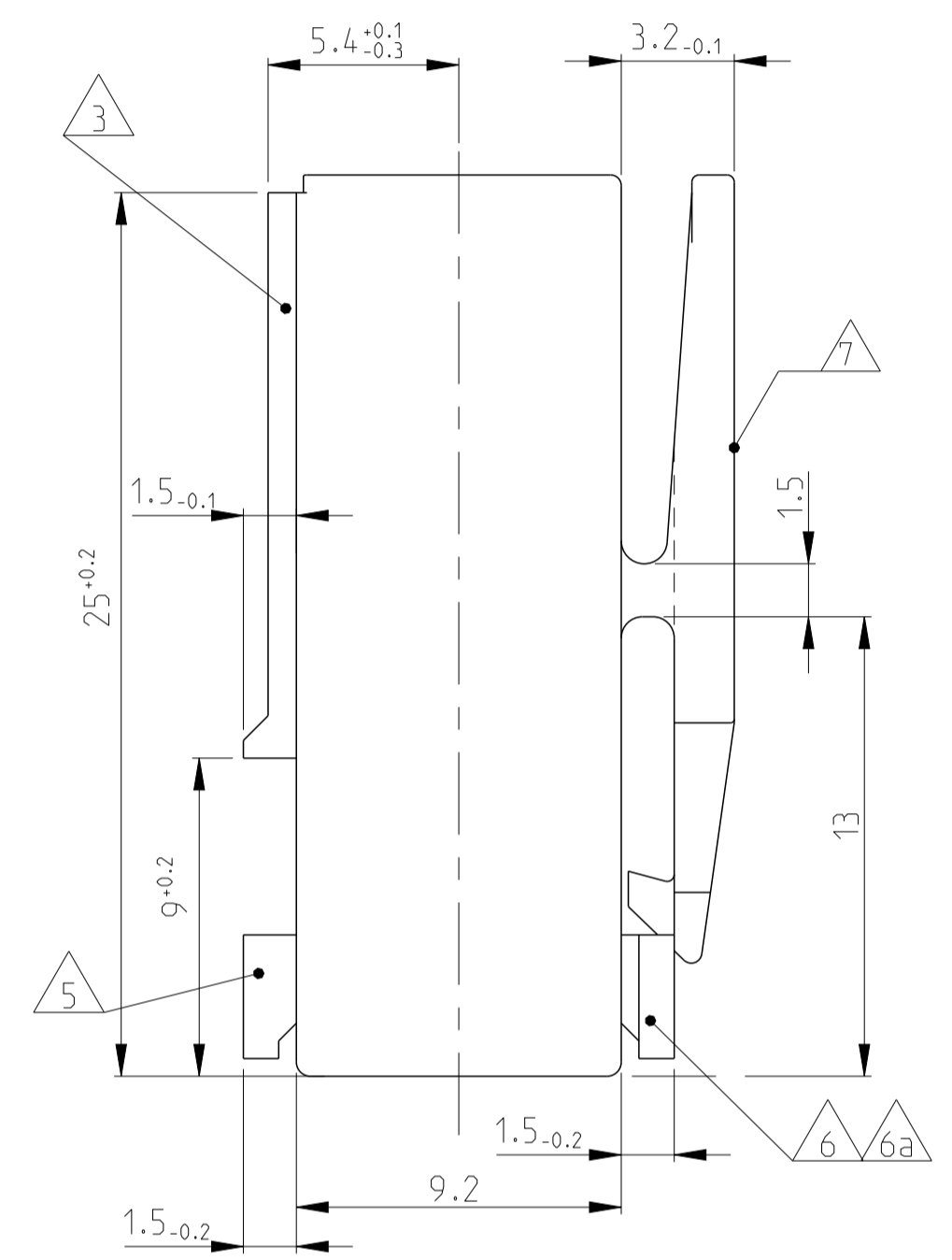
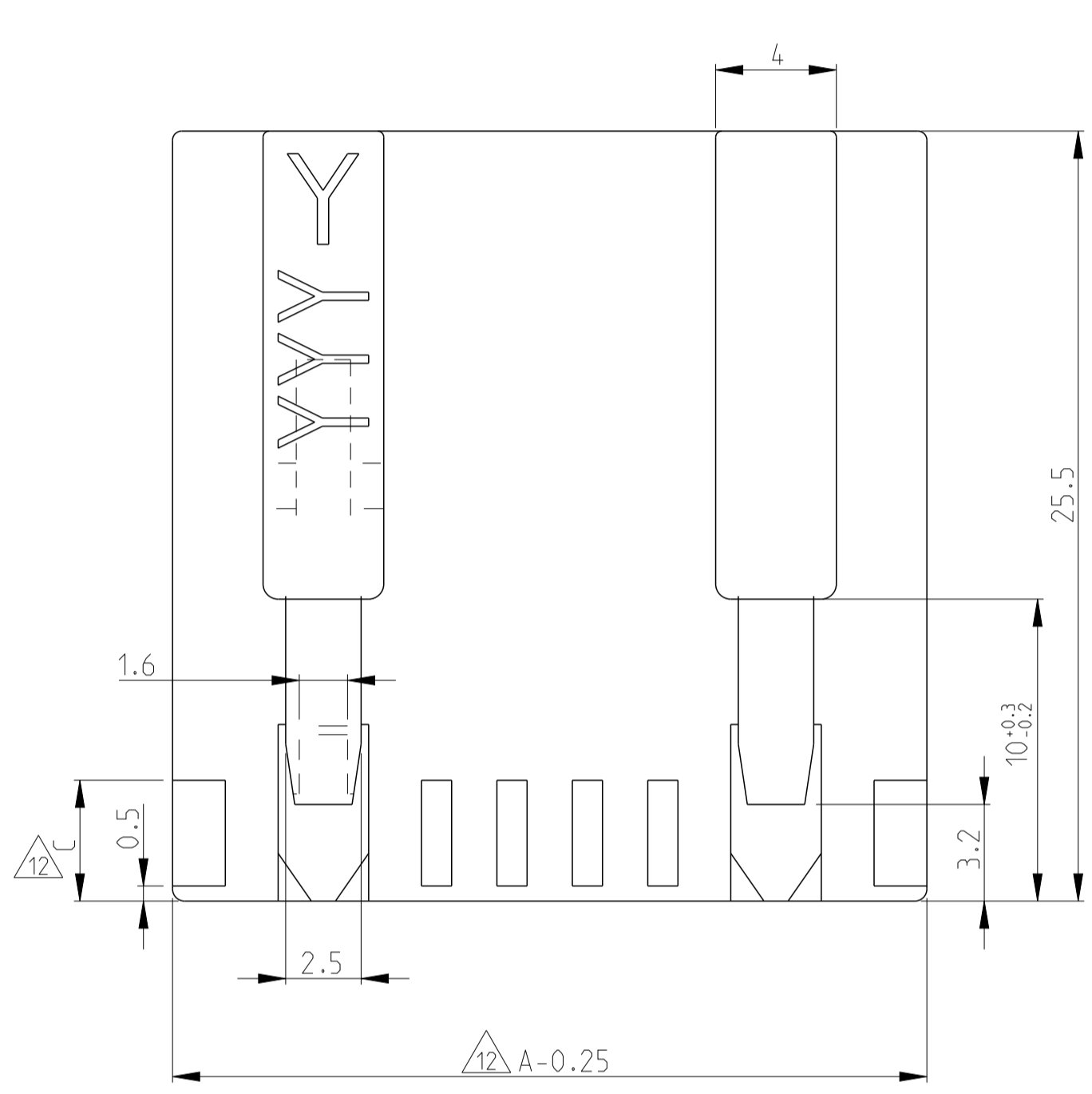
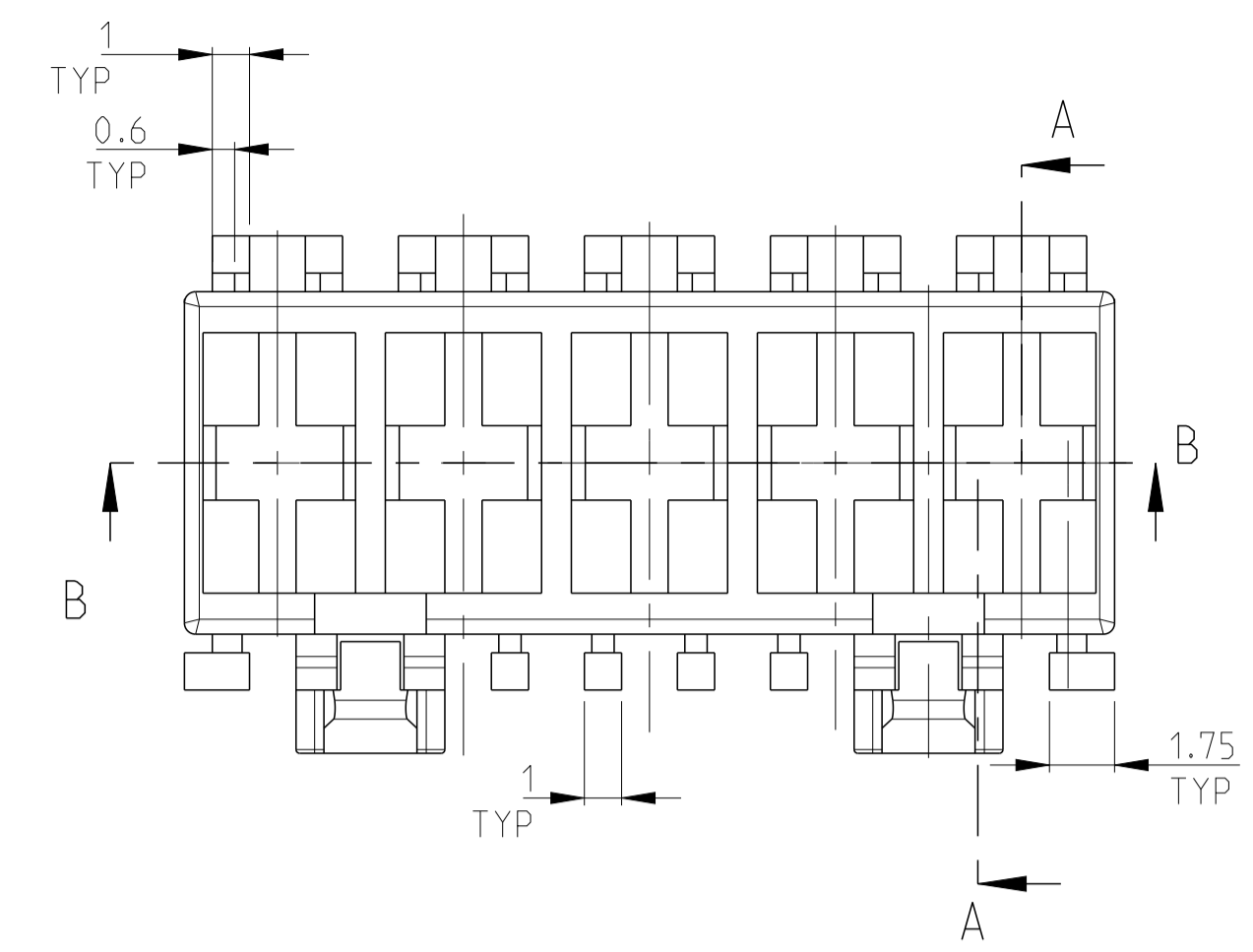
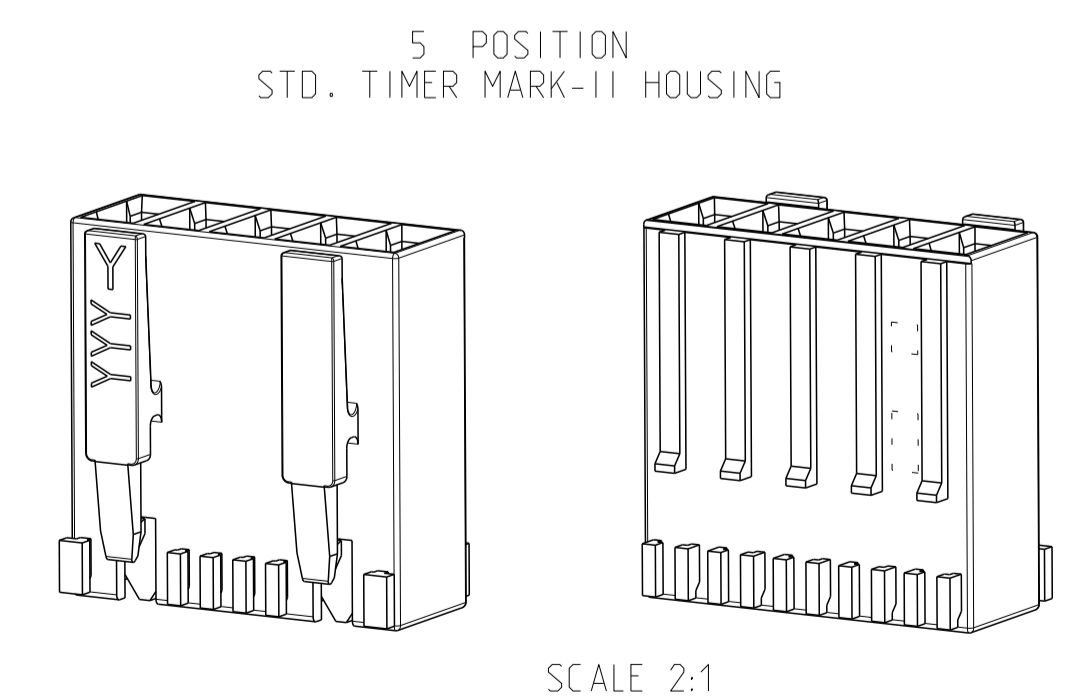


REVISONS		DATE	OWN	APVD
LOC	DIST			
A1	-			



- REMARKS/Bemerkungen**
- 1 CAVITY SUITABLE FOR STANDARD TIMER CONTACTS LISTED IN PROD.SPEC. 108-18049, ITEM 3.3.2
Kammer geeignet für Standard Timer Kontakte gelistet in Prod. Spec. 108-18049, Punkt 3.3.2
 - 2 CONTACT CAVITY NO.
Kontaktkammernummerierung
 - 3 MATING STOP
Tiefenanschlag
 - 4 AREA FOR TE LOGO ACC: TO SPEC 202-36
Bereich für TE Logo nach Spec. 202-36
 - 5 POLARIZATION RIB POSITION "a" AND/OR "b"
Polarisierungsrippe Position "a" und/oder "b"
 - 6 KEYING RIB POSITION "c" AND/OR "d"
Kodierrippe Position "c" und/oder "d"
 - 6a KEYING RIB POSITION "c" AND/OR "d" AT THE END WALLS OF THE HOUSING
Kodierrippe Position "c" und/oder "d" an den Gehäusestirnseiten
 - 7 LOCKING LATCH
Rasthaken
 - 8 TE PART NO (PN)
TE Bestell Nr. (PN)
 - 9 DESIGN OF THE HOUSINGS ACC: TO RAST 5 STANDARD
Gehäuseausführung gemäss RAST 5 Vorgabe
 - 10 GENERAL SUITABLE TAB HEADER SEE RAST 5 PERFORMANCE
Generell passende Flachsteckerwannen siehe RAST 5 Vorgabe
 - 11 PACKAGING: BULK PACKAGING IN CORRUGATED BOX PN 740580-2
2 POS. 2500 PIECES PER BOX / 3 POS. 2000 PIECES PER BOX
Verpackung: Schüttgut in Versandkarton Pn 740580-2
2pol. 2500 Stück per Karton / 3pol. 2000 Stück per Karton
 - 12 DIMENSION A, B C AND D SEE SHEET 2 OF 3
 - 13 MATERIAL CORRESPONDS TO THE REQUIRMENT EN 60335
(INCL. GLOW WIRE TEST 750° WITHOUT FLAME)
Material entspricht den Anforderungen der EN 60335
(inkl. Glühdrahttest 750° ohne Flamme)
 - 14 RATIO NUMBER OF THE KEYING VERSION, INKJET PRINTED. SEE SHEET 2
Kodierungskennnummer, mit Tintenstrahldrucker aufgebracht. siehe Blatt 2
 - 15 PRELIMINARY- NOT RELEASED FOR PRODUCTION

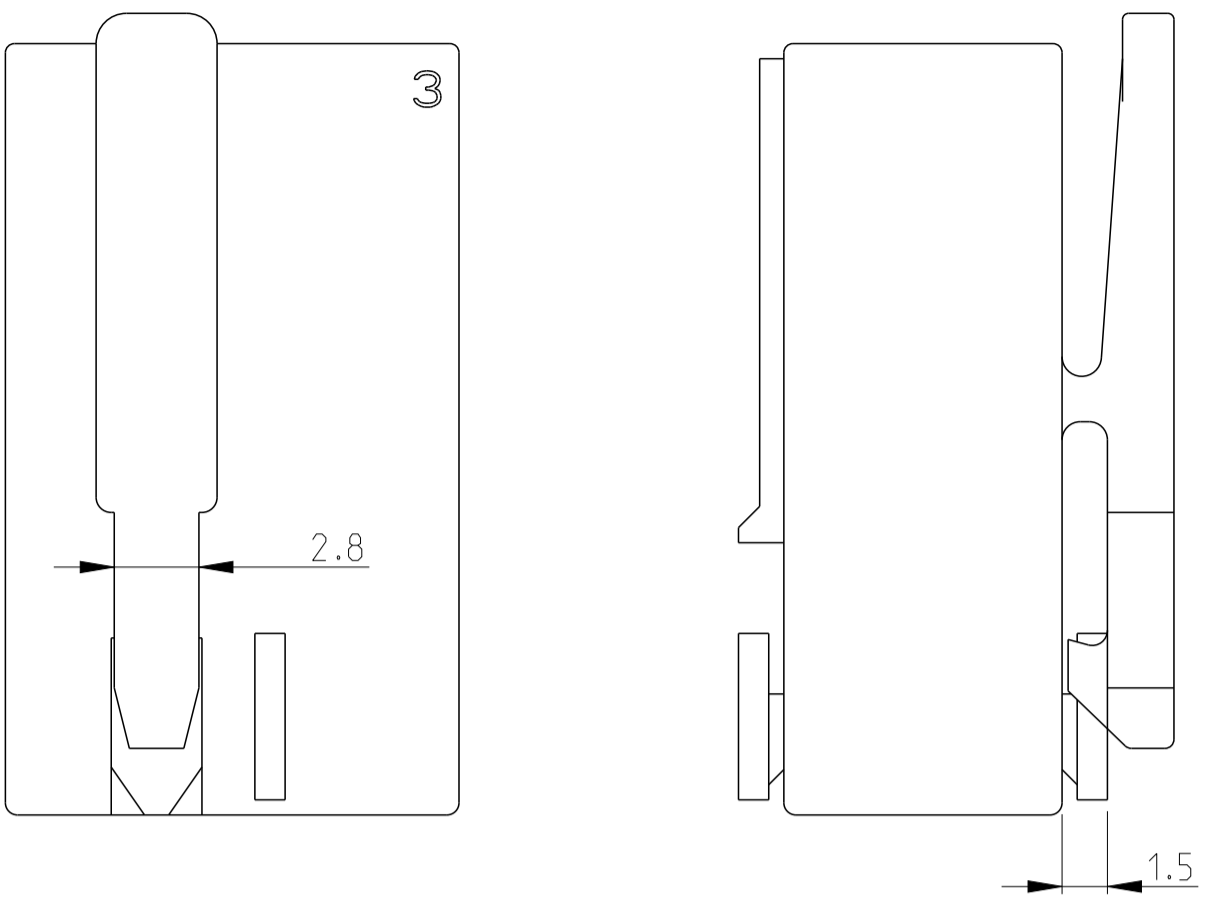


SECTION A-A / Schnitt A-A

SECTION B-B / Schnitt B-B

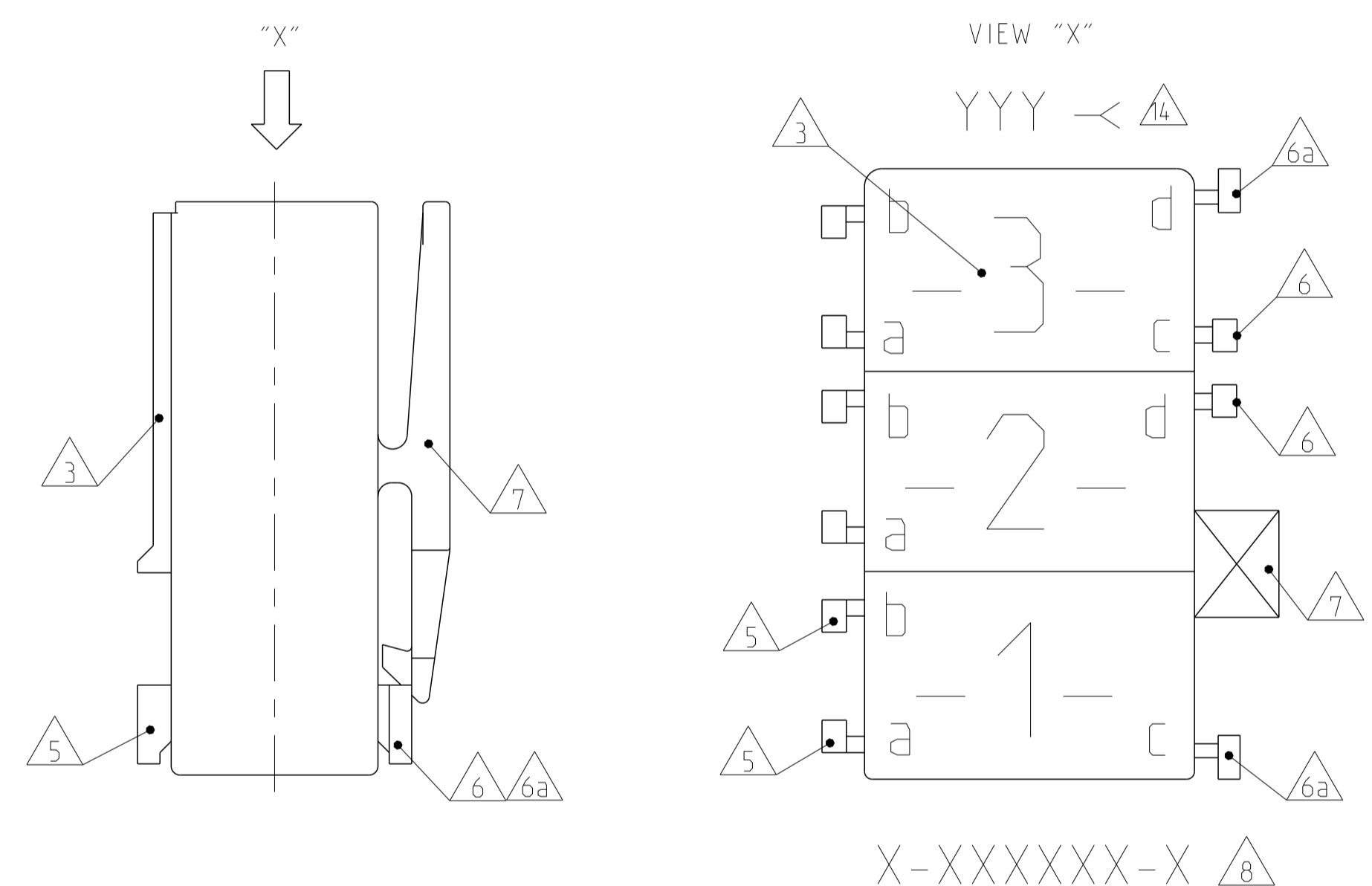
THIS DRAWING IS A CONTROLLED DOCUMENT.		OWN: Kishor M. 18-10-07	TE Connectivity																							
		CHK: K.Mundz 18-10-07																								
DIMENSIONS: mm		TOLERANCES UNLESS OTHERWISE SPECIFIED:		NAME: STANDARD TIMER HSG. RAST 5 MARK II																						
<table border="1"> <tr><td>0 PLC</td><td>±0.2</td></tr> <tr><td>1 PLC</td><td>±0.2</td></tr> <tr><td>2 PLC</td><td>±0.2</td></tr> <tr><td>3 PLC</td><td>±0.2</td></tr> <tr><td>4 PLC</td><td>±0.2</td></tr> <tr><td>ANGLES</td><td>±°</td></tr> <tr><td>FINISH</td><td>-</td></tr> </table>		0 PLC	±0.2	1 PLC	±0.2	2 PLC	±0.2	3 PLC	±0.2	4 PLC	±0.2	ANGLES	±°	FINISH	-	<table border="1"> <tr><td>APVD: Tr. Klenner 18-10-07</td><td>PRODUCT SPEC: 108-18049</td></tr> <tr><td>APPLICATION SPEC: -</td><td>SIZE: -</td></tr> <tr><td>WEIGHT: -</td><td>CAGE CODE: 00779</td></tr> <tr><td>Customer Drawing</td><td>DRAWING NO: 1241961</td></tr> </table>		APVD: Tr. Klenner 18-10-07	PRODUCT SPEC: 108-18049	APPLICATION SPEC: -	SIZE: -	WEIGHT: -	CAGE CODE: 00779	Customer Drawing	DRAWING NO: 1241961	RESTRICTED TO: -
0 PLC	±0.2																									
1 PLC	±0.2																									
2 PLC	±0.2																									
3 PLC	±0.2																									
4 PLC	±0.2																									
ANGLES	±°																									
FINISH	-																									
APVD: Tr. Klenner 18-10-07	PRODUCT SPEC: 108-18049																									
APPLICATION SPEC: -	SIZE: -																									
WEIGHT: -	CAGE CODE: 00779																									
Customer Drawing	DRAWING NO: 1241961																									
MATERIAL: SEE TABLE SHEET 2 OF 3		SCALE: 5:1		SHEET: 1 OF 3																						
		REV: C39																								

ONLY 5-1241961-7, 1-1241961-9, 7-1241961-7



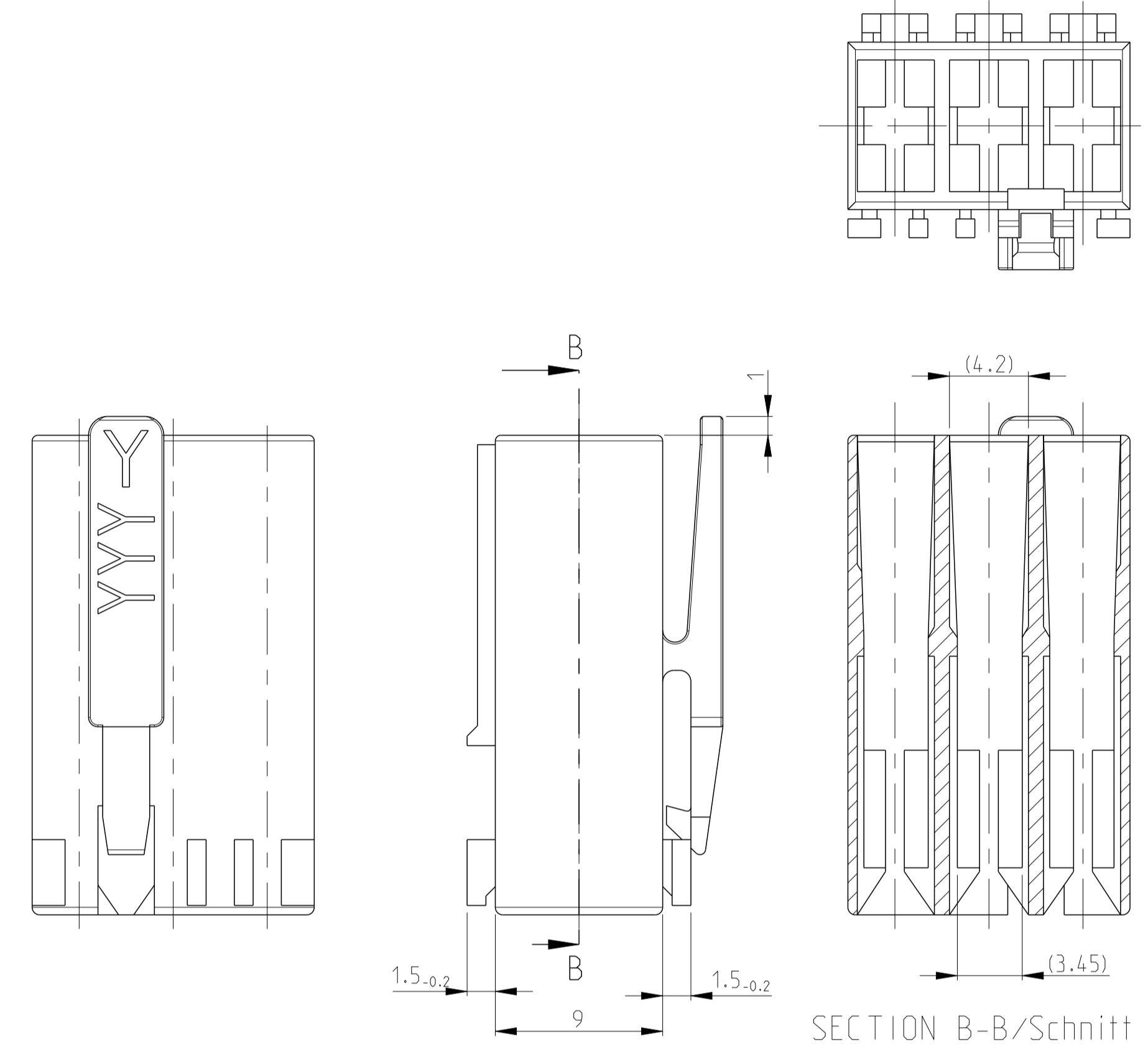
ALL OTHER DIMENSIONS SEE SHEET 1 OF 3

KEY LAYOUT DESCRIPTION



PAY ATTENTION !
DIFFERENT CAVITY GEOMETRY AND LOCKING LATCHE OVERHANG
Bitte beachten !
Unterschiedliche Kammergeometrie und Rasthakenuberstand.

FOR 2 POS. AND 3 POS.



ALL OTHER DIMENSIONS SEE SHEET 1 OF 3
Alle anderen Masse siehe Seite 1 von 3

SPECIAL VERSION: UL94 VO & GWT 750 NF & CTI 350									
5-1241961-7	3			15	10	PA66	NATURAL	A	
1-1241961-9	3	6	1	15	10		NATURAL	A	
7-1241961-7	3			15	10		NATURAL	A	

SPECIAL VERSION: UL94 VO & GWT 750 NF									
2322164-1	4	4	0.5	20	15	PA66	NATURAL	1	

SPECIAL VERSION: UL94 V2 & GWT 750 NF									
6-2178575-7	3	4	0.5	15	10	PA6 GF15	NATURAL	A	

SPECIAL VERSION: UL94 VO & GWT 750 NF										
3-2178412-7	3			15	10	PA66	NATURAL	1		
4-2178412-7	3	6	1	15	10		UL94 VO & GWT 750 NF	NATURAL	1	
8-2178412-2	2			10	5		NATURAL	1		

UL94 VO & GWT 750 NF										
2322917-4	4		0.5	20	15	PA66	NATURAL	1		
2322917-2	2			10	5		NATURAL	1		
2315717-1	2			10	5		NATURAL	C		
2315717-2	2			10	5		NATURAL	C		
2315717-3	2			10	5		NATURAL	C		
2315717-4	4		0.5	20	15		NATURAL	C		
2315717-5	4			20	15		NATURAL	C		
2315717-6	3			15	10		NATURAL	C		
2315717-7	3			15	10		NATURAL	C		
PART NO.	POS.	DIM C	DIM D	DIM A	DIM B		MATERIAL	COLOUR	REV.	

SPECIAL MATERIAL									
1955507-4	4			20	15	PA66	NATURAL	1	
9-1955506-2	2	6	1	10	5		UL 94 VO	NATURAL	1

6-1241961-7	3			15	10	PA 6	NATURAL	1		
4-1241961-7	3			15	10		UL94V-2	NATURAL	A	
3-1241961-7	3	4	0.5	15	10		UL94V-2	NATURAL	A	
1-1955422-7	3			15	10		UL94 VO	NATURAL	A	
5-1955422-7	3			15	10		UL94 VO	NATURAL	A	
4-1955422-3	2	6	1	10	5		UL94 VO	NATURAL	A	
2-1241817-3	3	4 or 6	0.5 or 1	15	10		UL94 V-2	Green	E	
0-1955422-6	3			15	10		UL94 VO	NATURAL	A	
8-1241961-8	3			15	10				C	
0-1241961-8	3			15	10		UL94V-2	natural	A	
8-1241961-3	2	4	0.5	10	5				C	
3-1241961-1	2			10	5		UL94V-2	NATURAL	C	
0-1955422-1	2			10	5		UL94 VO	NATURAL	A	
PART NO.	POS.	DIM C	DIM D	DIM A	DIM B	MATERIAL	COLOUR	REV./Rev.		

LOC	DIST	P	LTN	DESCRIPTION	DATE	DWN	APVD
-----	------	---	-----	-------------	------	-----	------

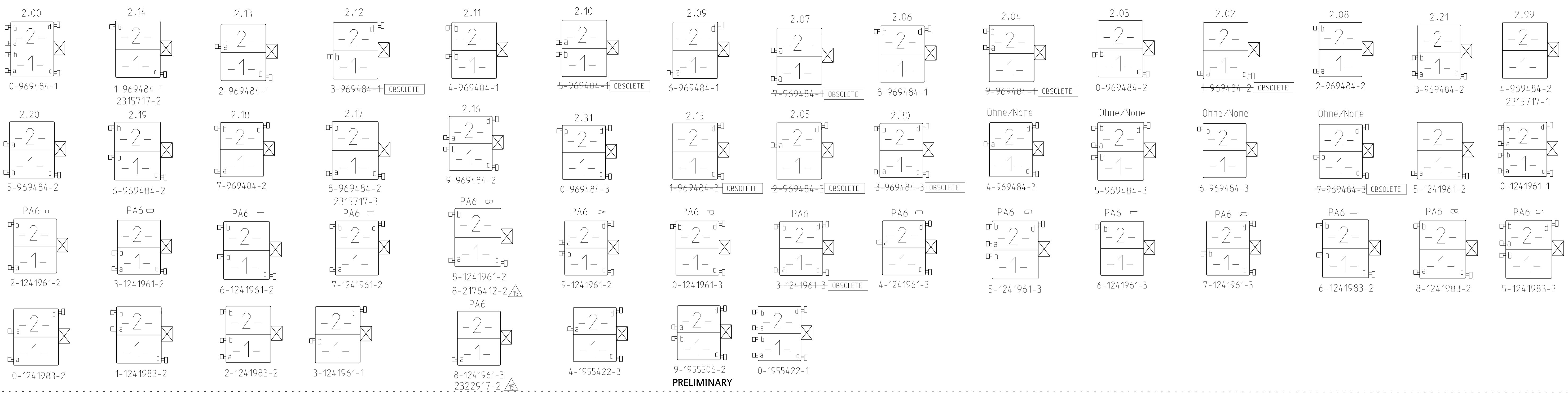
SEE SHEET-01																	
0-1241959-5	5			25	20	PA 6	Natural/natur	B									
4-1241959-4	4	4	0.5	20	15		UL94V-2	Natural/natur	A								
2-1241959-4	4			20	15				B								
0-1241959-4	4			20	15												
2-1241817-5	5	6	1	25	20	PA 6.6	Natural/natur	C									
0-1241817-5	4	0.5		25	20		UL94V-2		Black/schwarz								
3-1241817-4	4			20	15				Violet/violett								
2-1241817-4	6	1		20	15				Grey/grau								
0-1241817-4	4	0.5		20	15				Natural/natur								
2-1241983-2				10	5	PA 6	Green/grün	C									
1-1241983-2				10	5		UL94V-2		Violet/violett								
0-1241983-2	2	4	0.5	10	5				TARGET RAL 4001								
8-1241983-2				10	5				Yellow/gelb								
5-1241983-3				10	5				Black/schwarz								
6-1241983-2				10	5				Blue/blau								
				10	5				Red/rot								
9-1241961-7		4	0.5	15	10	PA 6.6	UL94V-2	Natural/natur	C								
9-1241961-8		4	0.5	15	10												
6-1241961-8		4 or 6	0.5 or 1	15	10												
5-1241961-8		4	0.5	15	10												
4-1241961-8		4 or 6	0.5 or 1	15	10												
7-1241961-8		4	0.5	15	10												
1-1241961-8		4 or 6	0.5 or 1	15	10												
3-1241961-8		6	1	15	10												
2-1241961-8				15	10												
2-1241961-7				15	10												
1-1241961-7		4	0.5	15	10												
9-1241961-9				15	10												
0-1241961-6				15	10												
3-1241961-3				10	5												
2-1241961-2				10	5												
5-1241961-2				10	5												
4-1241961-3				10	5												
7-1241961-2				10	5												
7-1241961-3				10	5												
6-1241961-3		2	4	0.5	10												
3-1241961-2				10	5												
5-1241961-3				10	5												
6-1241961-2				10	5												
0-1241961-3				10	5												
8-1241961-2				10	5												
9-1241961-2				10	5												
0-1241961-1				10	5												
9-969484-9	3	6	1	15	10					PA 6.6	UL94V-2	Yellow/gelb	H				
2-969484-8				15	10												
4-969484-8		4 or 6	0.5 or 1	15	10												
0-969484-8				15	10												
9-969484-7				15	10												
8-969484-7		4	0.5	15	10												
7-969484-7				15	10												
6-969484-7				15	10												
5-969484-7		4	0.5	15	10												
4-969484-7				15	10												
3-969484-7		4	0.5	15	10												
2-969484-7				15	10												
1-969484-7	3	4	0.5	15	10												
0-969484-7				15	10												
9-969484-6		6	1	15	10												
8-969484-6				15	10												
7-969484-6				15	10												
6-969484-6				15	10												
5-969484-6				15	10												
4-969484-6				15	10												
3-969484-6		6	1	15	10												
2-969484-6				15	10												
1-969484-6				15	10												
0-969484-6				15	10												
9-969484-3				10	5	PA 6.6	UL94V-2	Natural/natur	H								
6-969484-3				10	5												
5-969484-3		4	0.5	10	5												
4-969484-3				10	5												
3-969484-3				10	5												
2-969484-3				10	5												
1-969484-3				10	5												
0-969484-3				10	5												
9-969484-2				10	5					PA 6.6	UL94V-2	Natural/natur	H				
8-969484-2				10	5												
7-969484-2				10	5												
6-969484-2		4	0.5	10	5												
5-969484-2				10	5												
4-969484-2				10	5												
3-969484-2				10	5												
2-969484-2				10	5												
1-969484-2				10	5												
0-969484-2				10	5												
9-969484-1				10	5	PA 6.6	UL94V-2	Natural/natur	H								
8-969484-1				10	5												
7-969484-1				10	5												
6-969484-1		4	0.5	10	5												
5-969484-1				10	5												
4-969484-1				10	5												
3-969484-1				10	5												
2-969484-1		4	0.5	10	5												
1-969484-1				10	5												
0-969484-1				10	5												
PART NO.	POS.	DIM C	DIM D	DIM A	DIM B					MATERIAL	COLOUR	REV.					

THIS DRAWING IS A CONTROLLED DOCUMENT. DIMENSIONS: mm. TOLERANCES UNLESS OTHERWISE SPECIFIED: 0 PLC ±0.2, 1 PLC ±0.2, 2 PLC ±0.2, 3 PLC ±0.2, 4 PLC ±0.2, 5 PLC ±0.2, 6-8 PLC ±0.2, 9-12 PLC ±0.2. ANGLES FINISH: -.

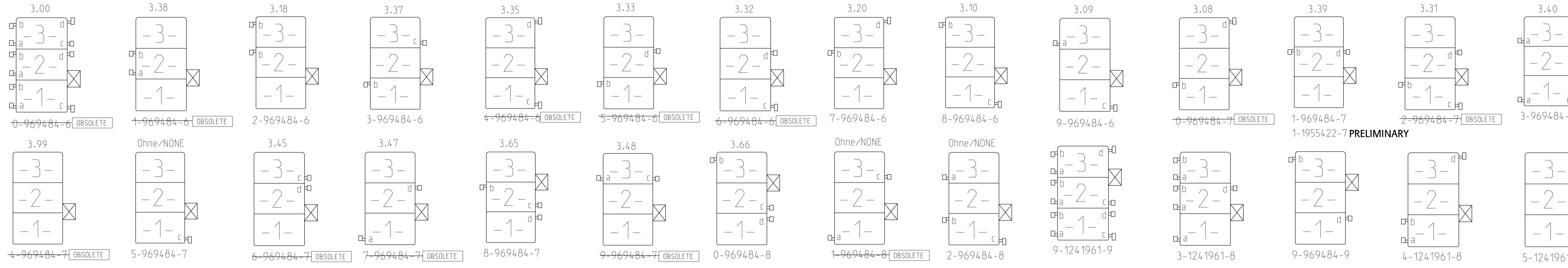
STANDARD TIMER HSG. RAST 5 MARK II
Standard Timer Gehäuse RAST 5 Mark II

Customer Drawing

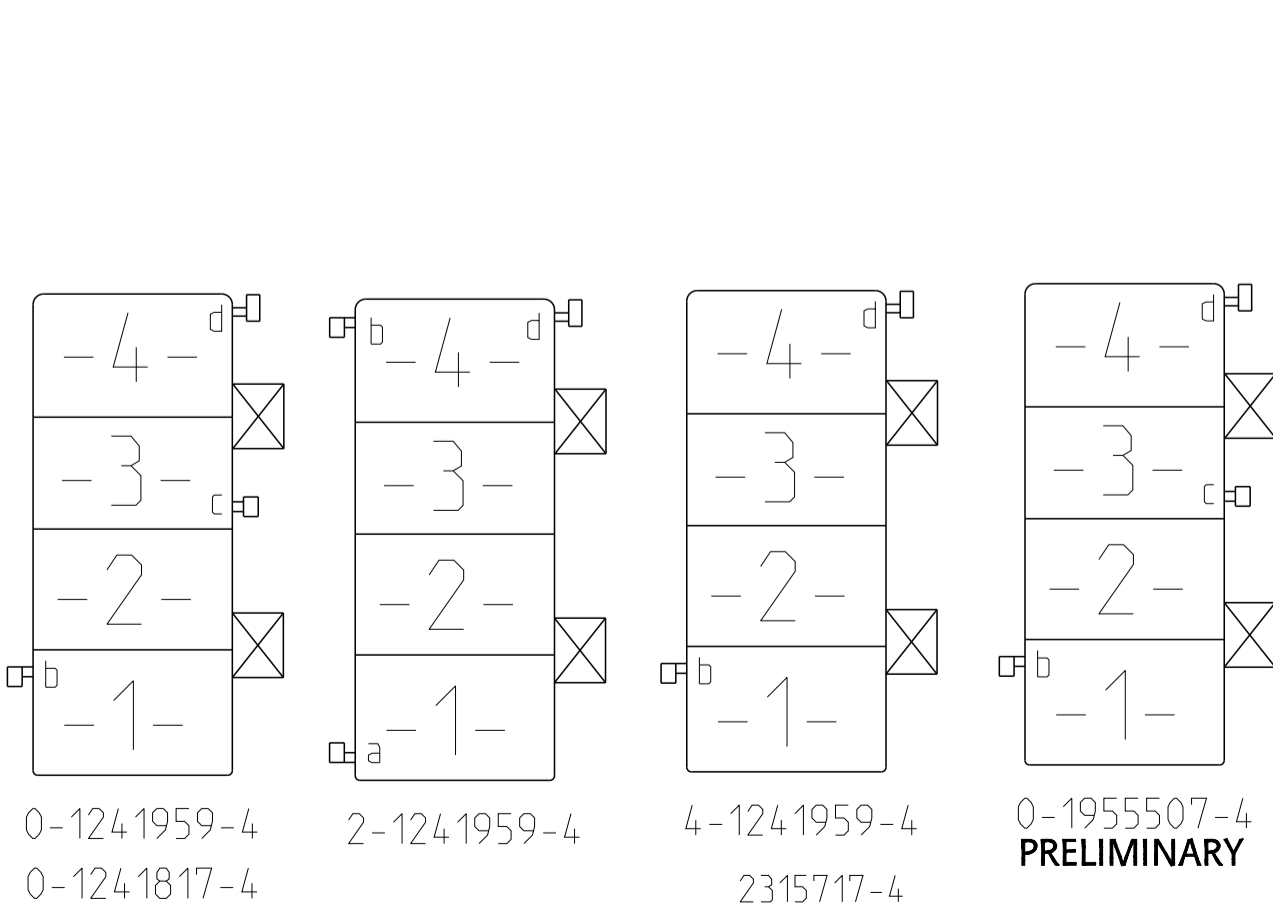
2 POSITION VARIANTS



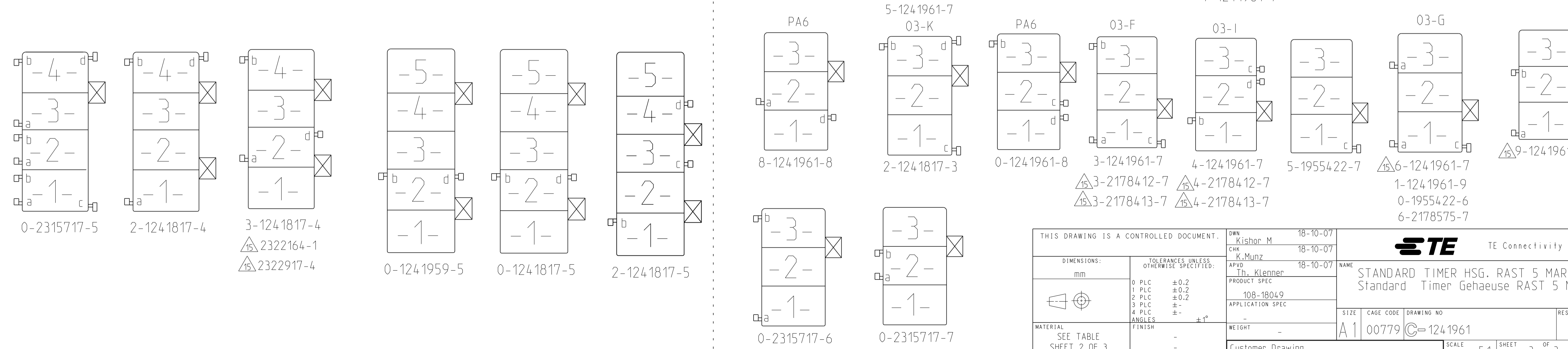
3 POSITION VARIANTS



4 POSITION VARIANTS



5 POSITION VARIANTS



THIS DRAWING IS A CONTROLLED DOCUMENT.		OWN: Kishor M. 18-10-07	 TE Connectivity
DIMENSIONS: mm		CHK: K. Mundz 18-10-07	
TOLERANCES UNLESS OTHERWISE SPECIFIED:		APVD: T. Klenner 18-10-07	
0 PLC ±0.2 1 PLC ±0.2 2 PLC ±0.2 3 PLC ±0.2 4 PLC ±0.2 ANGLES ±°		NAME: STANDARD TIMER HSG. RAST 5 MARK II Standard Timer Gehäuse RAST 5 Mark II	
MATERIAL: SEE TABLE	FINISH: -	WEIGHT: -	SIZE: A1
SHEET 2 OF 3		Customer Drawing	SCALE: 5:1
			SHEET 3 OF 3
			REV: 39