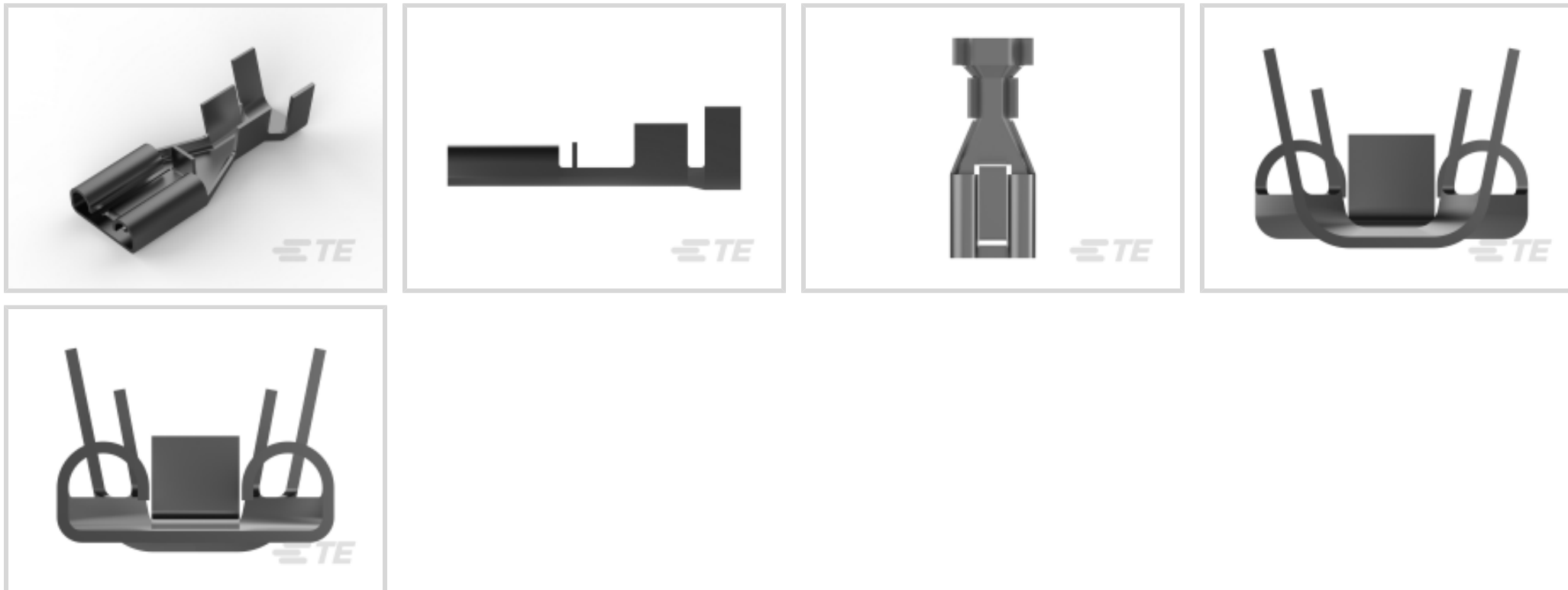




Connectors > Rectangular Connectors > Connector Contacts



Contact Type: **Socket**

Contact Mating Area Plating Material: **Tin**

Wire Contact Termination Area Plating Material: **Tin**

Operating Voltage: **240 VDC**

Features

Product Type Features

Discrete Wire Type	Stranded
Connector System	Wire-to-Wire
Connector & Contact Terminates To	Wire & Cable

Configuration Features

Compatible With Wire & Cable Type	Discrete Wire
-----------------------------------	---------------

Electrical Characteristics

Operating Voltage	240 VDC
-------------------	---------

Contact Features

Contact Type	Socket
Contact Mating Area Plating Material	Tin
Wire Contact Termination Area Plating Material	Tin
Contact Retention Within Housing	Without
Contact Base Material	Brass
Contact Current Rating (Max)	23.5 A

Termination Features

Termination Method to Wire & Cable	Crimp
------------------------------------	-------

Mechanical Attachment

Connector Mounting Type	Cable Mount (Free-Hanging)
-------------------------	----------------------------

Dimensions

Wire Size	16 – 12 AWG
-----------	-------------

Packaging Features

Packaging Method	Strip
------------------	-------

Product Compliance

[For compliance documentation, visit the product page on TE.com>](#)

EU RoHS Directive 2011/65/EU	Compliant
EU ELV Directive 2000/53/EC	Compliant
China RoHS 2 Directive MIIT Order No 32, 2016	No Restricted Materials Above Threshold
EU REACH Regulation (EC) No. 1907/2006	Current ECHA Candidate List: JAN 2022 (223) Candidate List Declared Against: JAN 2022 (223) Does not contain REACH SVHC
Halogen Content	Low Halogen - Br, Cl, F, I < 900 ppm per homogenous material. Also BFR/CFR/PVC Free
Solder Process Capability	Not applicable for solder process capability

Product Compliance Disclaimer

This information is provided based on reasonable inquiry of our suppliers and represents our current actual knowledge based on the information they provided. This information is subject to change. The part numbers that TE has identified as EU RoHS compliant have a maximum concentration of 0.1% by weight in homogenous materials for lead, hexavalent chromium, mercury, PBB, PBDE, DBP, BBP, DEHP, DIBP, and 0.01% for cadmium, or qualify for an exemption to these limits as defined in the Annexes of Directive 2011/65/EU (RoHS2). Finished electrical and electronic equipment products will be CE marked as required by Directive 2011/65/EU. Components may not be CE marked. Additionally, the part numbers that TE has identified as EU ELV compliant have a maximum concentration of 0.1% by weight in homogenous materials for lead, hexavalent chromium, and mercury, and 0.01% for cadmium, or qualify for an exemption to these limits as defined in the Annexes of Directive 2000/53/EC (ELV). Regarding the REACH Regulation, the information TE provides on SVHC in articles for this part number is based on the latest European Chemicals Agency (ECHA) 'Guidance on requirements for substances in articles' posted at this URL: <https://echa.europa.eu/guidance-documents/guidance-on-reach>

Compatible Parts



TE Part # 2-2150185-1
OCEAN_2.0_APPLICATOR-E-140F240F



TE Part # 2-2150185-2
OCEAN_2.0_APPLICATOR-E-140F240FA



TE Part # 2150185-1
OCEAN_2.0_APPLICATOR-E-140F240F



TE Part # 2150185-2
OCEAN_2.0_APPLICATOR-E-140F240FA



TE Part # 7-2150185-1
OCEAN_2.0_APPLICATOR-E-140F240F



TE Part # 7-2150185-2
OCEAN_2.0_APPLICATOR-E-140F240FA



TE Part # 7-2150185-7
OCEAN_2.0_SPARE_PART_KIT-140F240F



TE Part # 9-521205-3
POSI-LOK HSG, .250, 3 POS RAST5



TE Part # 1217094-3
RCPT 250 POS-LOCK 18-14 TPBR



TE Part # 1217095-3
RCPT 250 POS-LOCK 16-12 TPBR



TE Part # 1742701-1
RCPT 250 POS-LOCK 18-14 0126BR



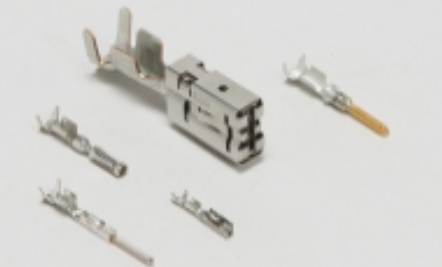
TE Part # 1742701-2
RCPT 250 POS-LOCK 18-14 TPBR

TE Part # 2381765-3
3P, POSITIVE-LOCK HOUSING, MKIII .250 SE


TE Part # 2391532-1
RECEPTACLE, POSITIVE-LOCK, RAST 6.35

TE Part # 1-2381765-3
3P, POSITIVE-LOCK HOUSING, MKIII .250 SE

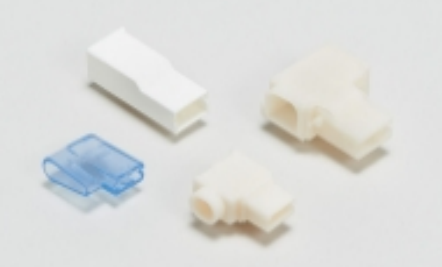
Also in the Series | RAST 5 IDC Connectors




Automotive Terminals(8)



Connector Contacts(12)



Crimp Terminal Housings(41)



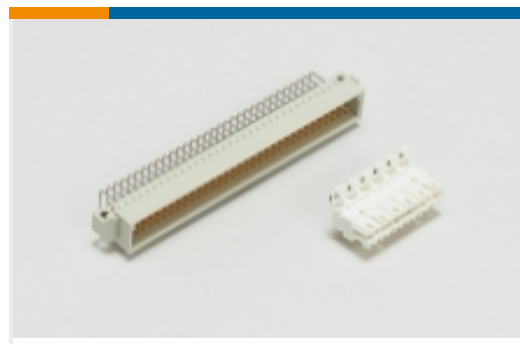
Insertion & Extraction Tools(1)



PCB Headers & Receptacles(424)



Rectangular Connector Housings(1)



Standard Edge Connectors(41)



Standard Rectangular Connectors(112)

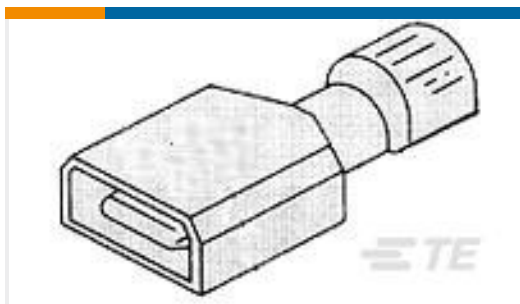


Wire-to-Board Connector Assemblies & Housings(213)



Wire-to-Board Connector Contacts(2)

Customers Also Bought



TE Part #2-521103-2
ULTRA-FAST 187 ASY REC 22-18 TPBR



TE Part #1-480763-0
05P UMNL PLUG HSG NATL



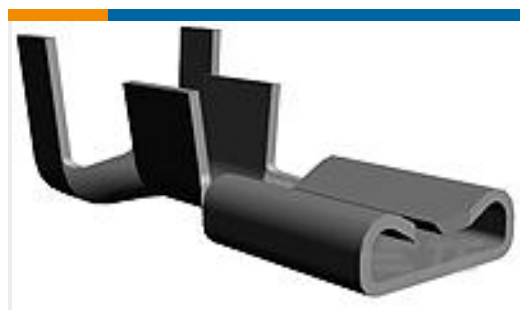
TE Part #61397-1
RING TERMINAL CRIMP 18-14 AWG TPBR



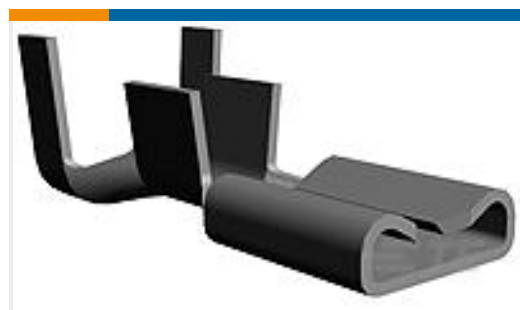
TE Part #350538-1
UMNL PIN 20-14 .0126 PTPBR



TE Part #640052-1
RING 18-14 AWG SST



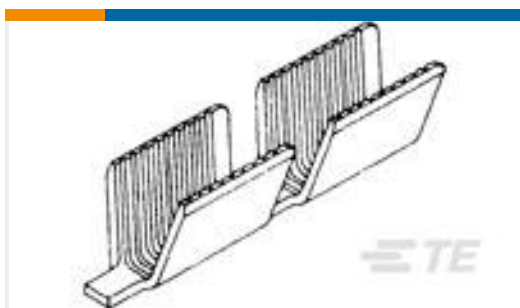
TE Part #42660-2
250 FASTON REC 18-14 AWG TPBR



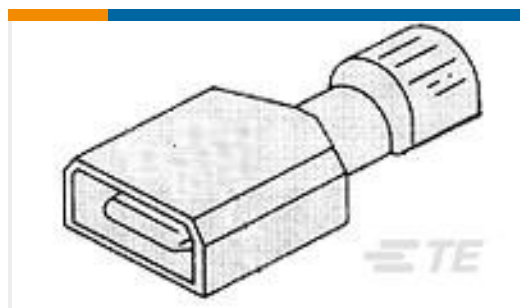
TE Part #42692-2
250 FASTON REC 18-14 AWG TPBR



TE Part #40661
RING 190(4.82 MM) TERMINAL 18-14 AWG BR



TE Part #62306-2
AMVAR SPLC 1500-5000 020TPBR



TE Part #2-521144-2
ULTRA-FAST 250 ASY TAB 22-18 TPBR

Documents



Product Drawings

[RCPT 250 POS-LOCK 16-12 TPBR](#)

English

CAD Files

[3D PDF](#)

3D

Customer View Model

[ENG_CVM_CVM_1217095-2_C_c-1217095-2-c.2d_dxf.zip](#)

English

Customer View Model

[ENG_CVM_CVM_1217095-2_C_c-1217095-2-c.3d_igs.zip](#)

English

Customer View Model

[ENG_CVM_CVM_1217095-2_C_c-1217095-2-c.3d_stp.zip](#)

English

By downloading the CAD file I accept and agree to the [Terms and Conditions](#) of use.

Datasheets & Catalog Pages

[1654742_HOUSEHOLD_APPLIANCES_RAST5](#)

English

[Positive Lock Receptacles](#)

English

Product Specifications

[Application Specification](#)

English

Product Environmental Compliance

[TE Material Declaration](#)

English
