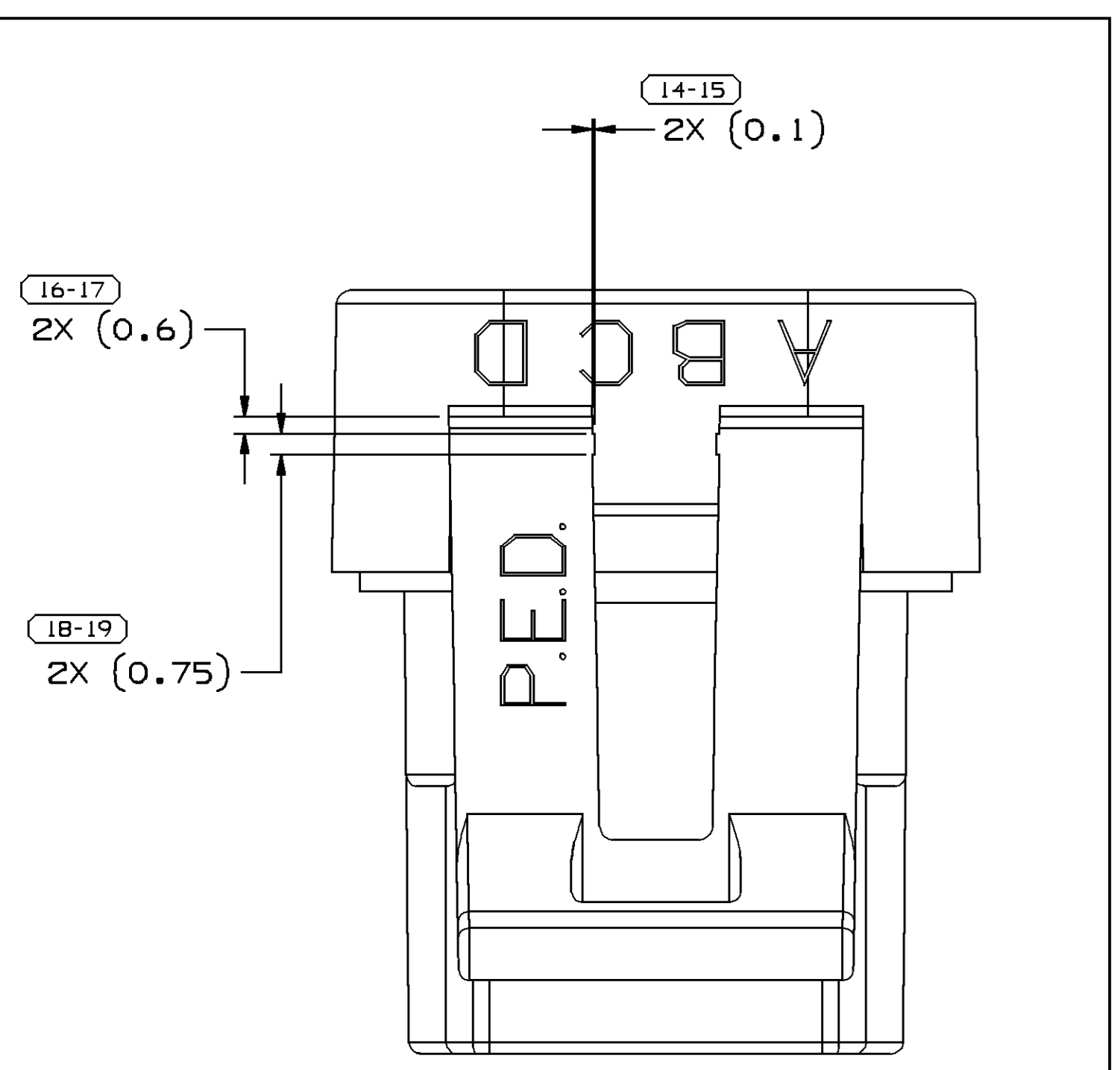
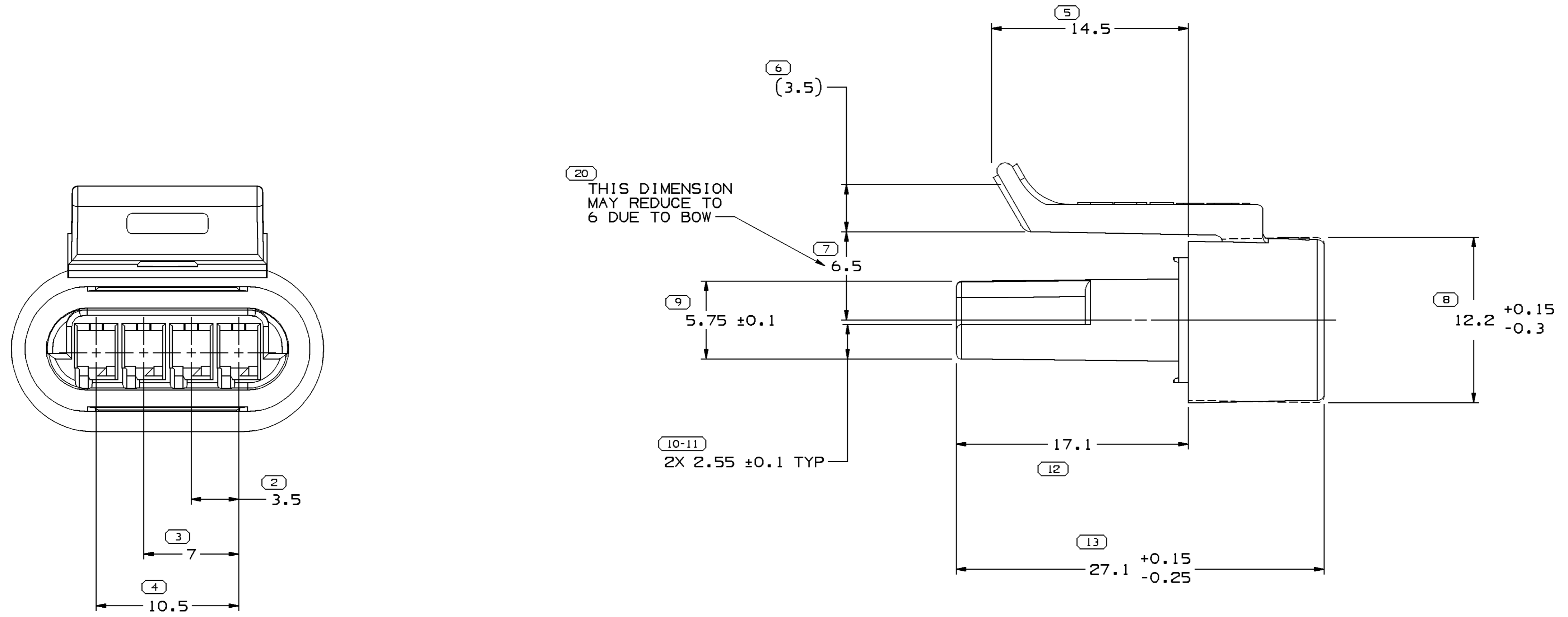
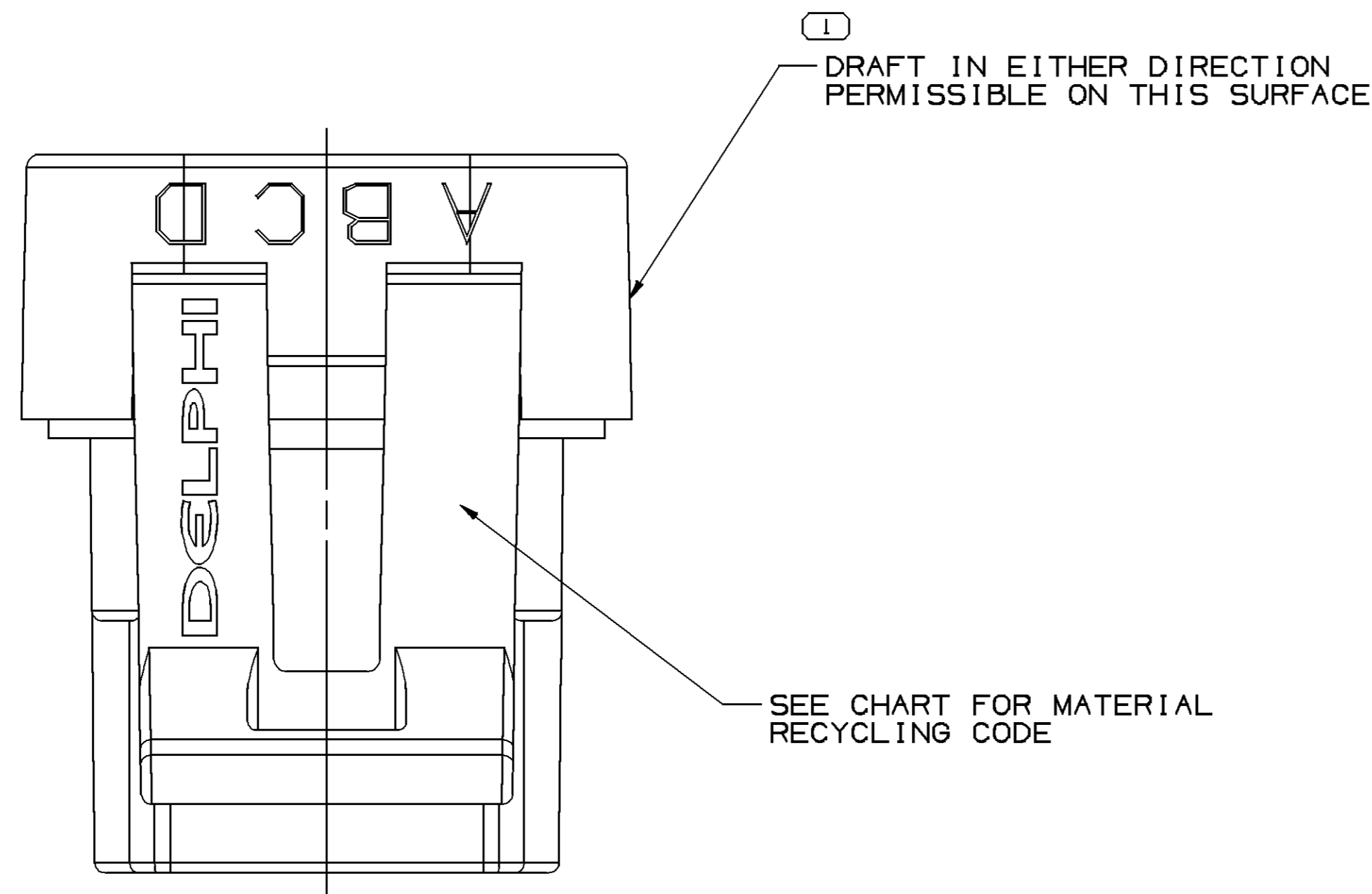
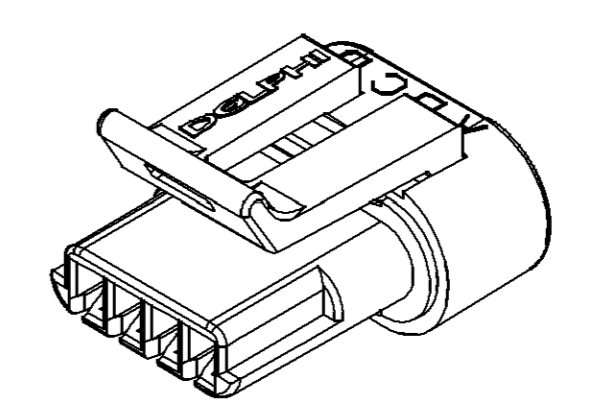


SYMBOL DEFINITION		MISSING NUMBERS		DWG STATUS				REVISION HISTORY				AUTH		DR		AP/VD	
DATE	STG	REV	N/P	CHG	ZONE	DATE	STG	REV	N/P	CHG	ZONE	DATE	STG	REV	N/P	CHG	ZONE
10A02	R	01	-	-		10A02	R	01	-	-		223533	HH	EDV	BMC		
21M06	R	02	-	-		21M06	R	02	-	-		278512	RTV	AUG	PYP		



- NOTES
- UNLESS OTHERWISE SPECIFIED AND/OR INDICATED: DIMENSIONS ARE TO FACE OF VIEW SHOWN AND AUTOMATICALLY ROUNDED BY COMPUTER FOR INSPECTION. (SEE MATH MODEL FOR PRECISE DIMENSIONS.) FOR ALL OTHER DIMENSIONS NOT SHOWN BUT REQUIRED FOR TOOL BUILD, SEE MATH MODEL FOR PRECISE TOOL PATH DATA.
  - REFERENCE MATING COMPONENTS OR EQUIVALENT: CONNECTOR 72MM DISTRIBUTOR MODULE OR EQUIVALENT CONNECTOR SEAL 12040756 & 12040757
  - THIS PART ACCEPTS THE FOLLOWING COMPONENTS OR EQUIVALENT: TREMINAL 12124075 MAX INSULATION CRIMP MUST BE LESS THAN 2.54 HIGH AND 2.68 WIDE
  - MATERIAL RECYCLING CODE PER ISO 11469. (2.3)X(10.1) RAISED CHARACTERS AS SHOWN TO BE LOCATED ON ANY EXTERIOR SURFACE. OPTIONAL CONSTRUCTION TO BE NO MATERIAL RECYCLING CODE.
  - (2.3)X(10.1) RAISED DELPHI CORPORATE BRAND TO BE LOCATED ON ANY EXTERIOR SURFACE, PREFERABLY VISIBLE AT FINAL ASSEMBLY. OPTIONAL CONSTRUCTION TO BE "PED" OR NO LOGO.



PART DRAWING	
STYLE	SEE CHART
VOLUME (CM)	018TR CODE
	D

UNLESS OTHERWISE SPECIFIED THIS DOCUMENT IS IN ACCORDANCE WITH ASME Y14.5M-1994 AS MODIFIED BY THE IN CHARGE, DIMENSIONING AND TOLERANCE PRACTICES (DTP). ALL DIMENSIONS UNLESS OTHERWISE SPECIFIED ARE IN MILLIMETERS. UNLESS OTHERWISE SPECIFIED, DIMENSIONS ARE TO FACE OF VIEW SHOWN AND AUTOMATICALLY ROUNDED BY COMPUTER FOR INSPECTION. (SEE MATH MODEL FOR PRECISE DIMENSIONS.) FOR ALL OTHER DIMENSIONS NOT SHOWN BUT REQUIRED FOR TOOL BUILD, SEE MATH MODEL FOR PRECISE TOOL PATH DATA.

DIMENSIONAL RANGE (MM)		TOLERANCE	
FROM	TO	±	ANGULAR TOLERANCE 2°
> 0	> 30	±0.15	
20	30	±0.2	
70	100	±0.3	
150	200	±0.4	
250	300	±0.5	
300	400	±0.6	
		±1	
		±1.2	

**DELPHI**  
DELPHI PACKARD ELECTRIC SYSTEMS  
WARREN, OH

DR	DATE
APV01 H. HERNANDEZ	09JN99
APV02 R. CHACON	09JN99
APV03 J. REIDER	09JN99
APV04	
APV05	

MATERIAL: SEE CHART

DRAWING NAME: TAXI CONN F M/P 150.2 SLD

DRAWING NUMBER: 12186428

SCALE: 5:1

FRAME NO: 1 OF 1

SHEET NO: 1 OF 1

REV: R 02

PART NO	REV	N/P	STATUS	TYPE	MAT'L RECYCLING CODE	MATERIAL SPECIFICATION AND COLOR	VOL CM³
15324666	02	AD			PBT	M4695007 PBT GRN	2.559
12186391	02	-			PA66	M3592024 PA66 HS IM CRM	2.559
12162187	B7	-			PA66	M3592001 PA66 HS IM BLK	2.559