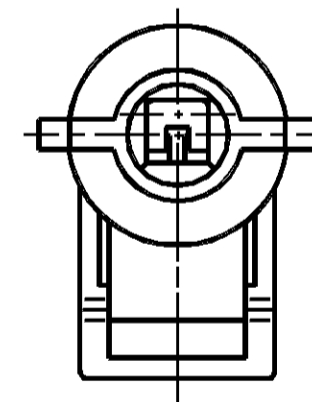
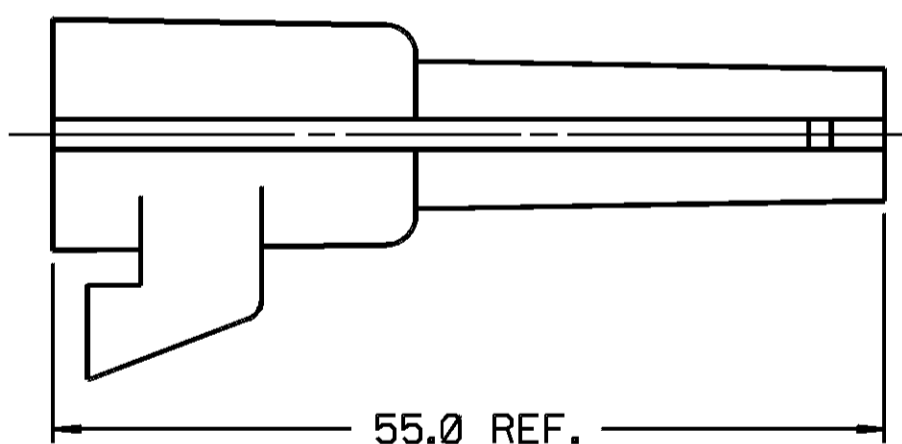
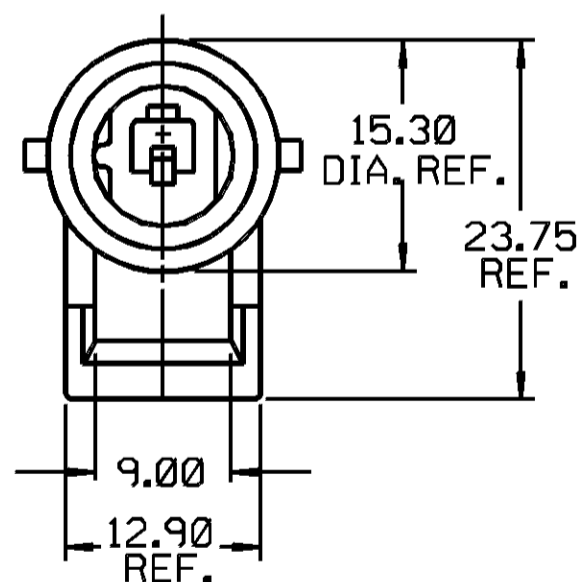
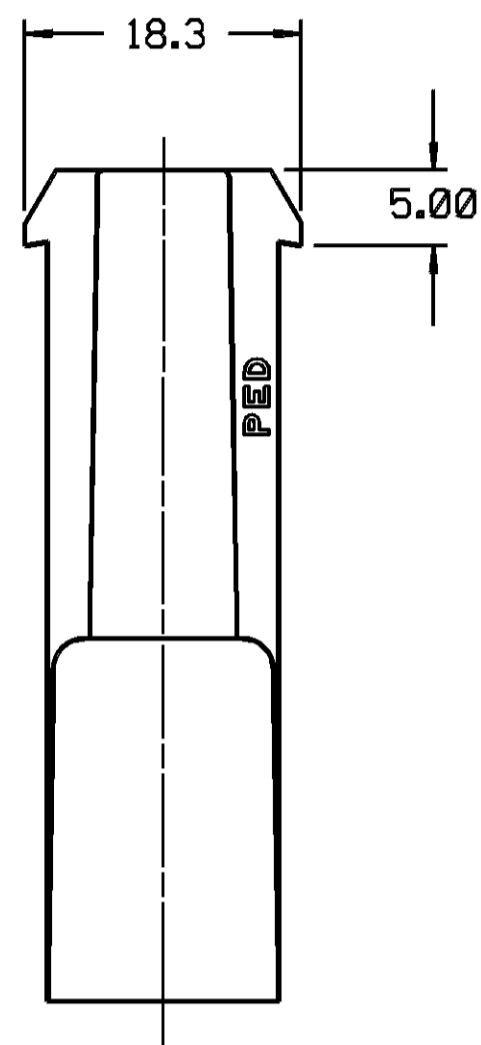


D

THIS DRAWING AND DESIGN HEREON CONSTITUTES A PROPRIETARY DESIGN OF PACKARD ELECTRIC DIVISION AND IS NOT TO BE DUPLICATED OR REPRODUCED WITHOUT AUTHORITY OF PACKARD ELECTRIC DIVISION.

DO NOT SCALE

PACKARD ELECTRIC DIVISION
GENERAL MOTORS CORPORATION
WARREN, OHIO



- NOTES** — 1. CAVITY TO ACCEPT 12040559 TERMINAL OR EQUIVALENT.
 2. MATING CONNECTOR 12065170 OR EQUIVALENT.
 3. CONNECTOR TO ACCEPT 12065249 SECONDARY LOCK OR EQUIVALENT.
 4. USE 12052834 CONNECTOR POSITION ASSURANCE.
 5. SEALING CODE 3.

DATE	SYM	REVISION RECORD	AUTHORITY	DR	CK
23AP86	A	RELEASED	860005	EM	FH
15SE87	—	ADDED NOTE #5	115679	RP	FH
280C87	—	REVISED DIMS & GRAPHICS	115990	JR	FH
07JN88	A1	"DASH" WAS REV 'B' IN C/N 115990	120303	JN	BAR
20JL89	B	MAT'L SPEC WAS NYLON 6 - BLACK & REF. NO. WAS 12065171	128157	JH	JH

PART NO.
1206 5171

PED / NIBGRAPH MICROSTATION		FILE DGN SPEC: ****USER**** DGN SPECIFICATION***** ****SYTIME*****
THIRD ANGLE PROJECTION 		METRIC DIMENSIONS ARE IN MILLIMETERS UNLESS OTHERWISE SPECIFIED.
CODE NO. 6900	TOLERANCE UNLESS OTHERWISE SPECIFIED DECIMAL: ONE PLACE ± 0.3 TWO PLACE ± 0.15 ANGULAR ± 2°	
Q.C.	SCALE NONE	
DWG. DATE 18N085	DR. ERIC MIZER	DATE 17DE86
EST. NO.	CK. F. HESTON	DATE 07MY86
REFERENCE NO. 12089915 'D' SIZE	APPR. K. PHILLIPS	DATE 07MY86
MATERIAL SPEC.	APPR. A. WINYARD	DATE 07MY86
NYLON 66 - BLACK		
NAME CONN 1M M/P 280		
PART NO. 1206 5171 OUTLINE DRAWING	SIZE C	

-0-