

120591-1 ✓ ACTIVE

TE Internal #: 120591-1

Battery Holders, CR2032, Board-to-Board, 2 Position, Horizontal,
Pre-Tin, PCB Mount Alignment, Printed Circuit Board, Signal, Board
Mount

[View on TE.com >](#)



Connectors > PCB Connectors > Battery Connectors & Holders > Battery Holders



Battery Compatibility: **CR2032**

Connector System: **Board-to-Board**

Number of Positions: **2**

PCB Mount Orientation: **Horizontal**

Contact Mating Area Plating Material: **Pre-Tin**

Features

Product Type Features

Connector System	Board-to-Board
Connector & Contact Terminates To	Printed Circuit Board

Configuration Features

Number of Positions	2
PCB Mount Orientation	Horizontal

Body Features

Battery Holder Material	PBT GF
Battery Holder Type	Coin Cell
Battery Holder Color	Black
Battery Compatibility	CR2032

Contact Features

Contact Mating Area Plating Material	Pre-Tin
--------------------------------------	---------

Mechanical Attachment

PCB Mount Alignment Type	Locating Posts
--------------------------	----------------



PCB Mount Retention	Without
PCB Mount Alignment	With
Connector Mounting Type	Board Mount

Dimensions

Compatible Battery Dimensions	27.3 x 19.05 x 6.32 mm[1.07 x .75 x .249 in]
-------------------------------	--

Usage Conditions

Operating Temperature Range	-30 – 70 °C[-22 – 158 °F]
-----------------------------	---------------------------

Operation/Application

Circuit Application	Signal
---------------------	--------

Packaging Features

Packaging Quantity	144
Packaging Method	Box & Tray

Product Compliance

[For compliance documentation, visit the product page on TE.com>](#)

EU RoHS Directive 2011/65/EU	Compliant
EU ELV Directive 2000/53/EC	Compliant
China RoHS 2 Directive MIIT Order No 32, 2016	No Restricted Materials Above Threshold
EU REACH Regulation (EC) No. 1907/2006	Current ECHA Candidate List: JAN 2022 (223) Candidate List Declared Against: JAN 2022 (223) Does not contain REACH SVHC
Halogen Content	Not Low Halogen - contains Br or Cl > 900 ppm.
Solder Process Capability	Wave solder capable to 240°C

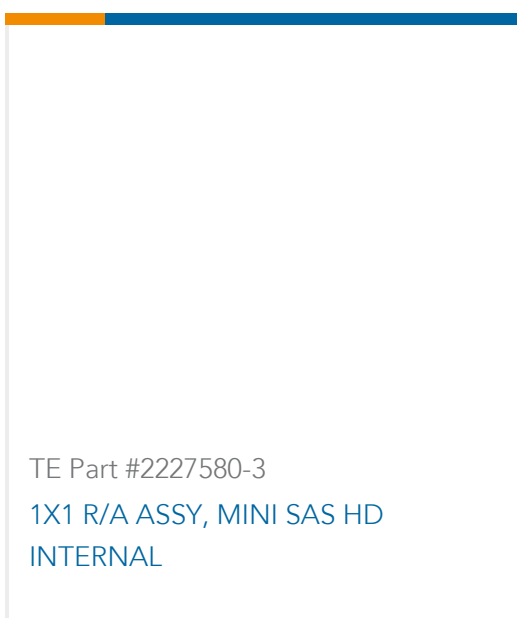
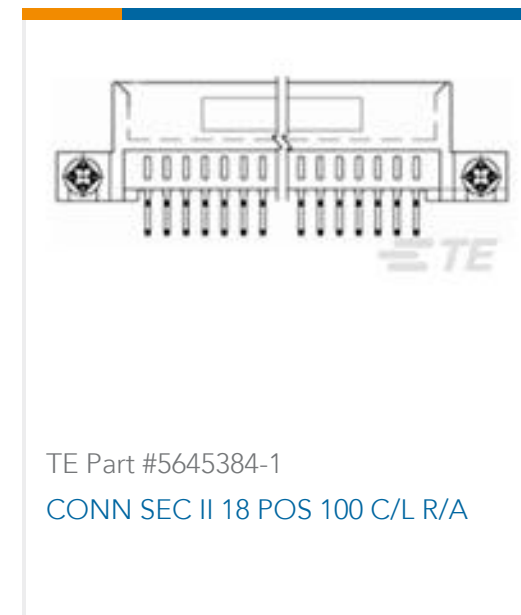
Product Compliance Disclaimer

This information is provided based on reasonable inquiry of our suppliers and represents our current actual knowledge based on the information they provided. This information is subject to change. The part numbers that TE has identified as EU RoHS compliant have a maximum concentration of 0.1% by weight in homogenous materials for lead, hexavalent chromium, mercury, PBB, PBDE, DBP, BBP, DEHP, DIBP, and 0.01% for cadmium, or qualify for an exemption to these limits as defined in the Annexes of Directive 2011/65/EU (RoHS2). Finished electrical and electronic equipment products will be CE marked as required by Directive 2011/65/EU. Components may not be CE marked. Additionally, the part numbers that TE has identified as EU ELV compliant have a maximum concentration of 0.1% by weight in homogenous materials for lead, hexavalent chromium, and mercury, and 0.01% for cadmium, or qualify for an exemption to these limits as defined in the Annexes of Directive 2000/53/EC (ELV). Regarding the REACH Regulation, the information TE provides on SVHC in articles for this part number is based on the latest European Chemicals Agency (ECHA) 'Guidance on requirements for substances in articles' posted at this URL: <https://echa.europa.eu/guidance-documents/guidance-on-reach>

Compatible Parts



Customers Also Bought



Documents

Product Drawings

[TOP LOAD BATTERY](#)

English

CAD Files

[Customer View Model](#)

[ENG_CVM_CVM_120591-1_J1.2d_dxf.zip](#)



English

[3D PDF](#)

3D

Customer View Model

[ENG_CVM_CVM_120591-1_J1.3d_igs.zip](#)

English

Customer View Model

[ENG_CVM_CVM_120591-1_J1.3d_stp.zip](#)

English

By downloading the CAD file I accept and agree to the [Terms and Conditions](#) of use.

Datasheets & Catalog Pages

[POWER_CONNECTORS_CATALOG_SEC09_LAPTOPS_PORTABLES](#)

English

[1-1773718-4_POWER_CONNECTORS_QRG_CN](#)

[1-1773718-5_POWER_CONNECTORS_QRG_TCN](#)

[1-1773718-6_POWER_CONNECTORS_QRG_JA](#)

Japanese

[2_PIECE_POWER_CONNECTORS_qrg_4-1773458-1](#)

English

Product Specifications

[Product Specification](#)

English

Product Environmental Compliance

[MD_120591-1_04022018250_dmtec](#)

English

[MD_120591-1_04022018250_dmtec](#)

English

Instruction Sheets

[Instruction Sheet \(U.S.\)](#)

English