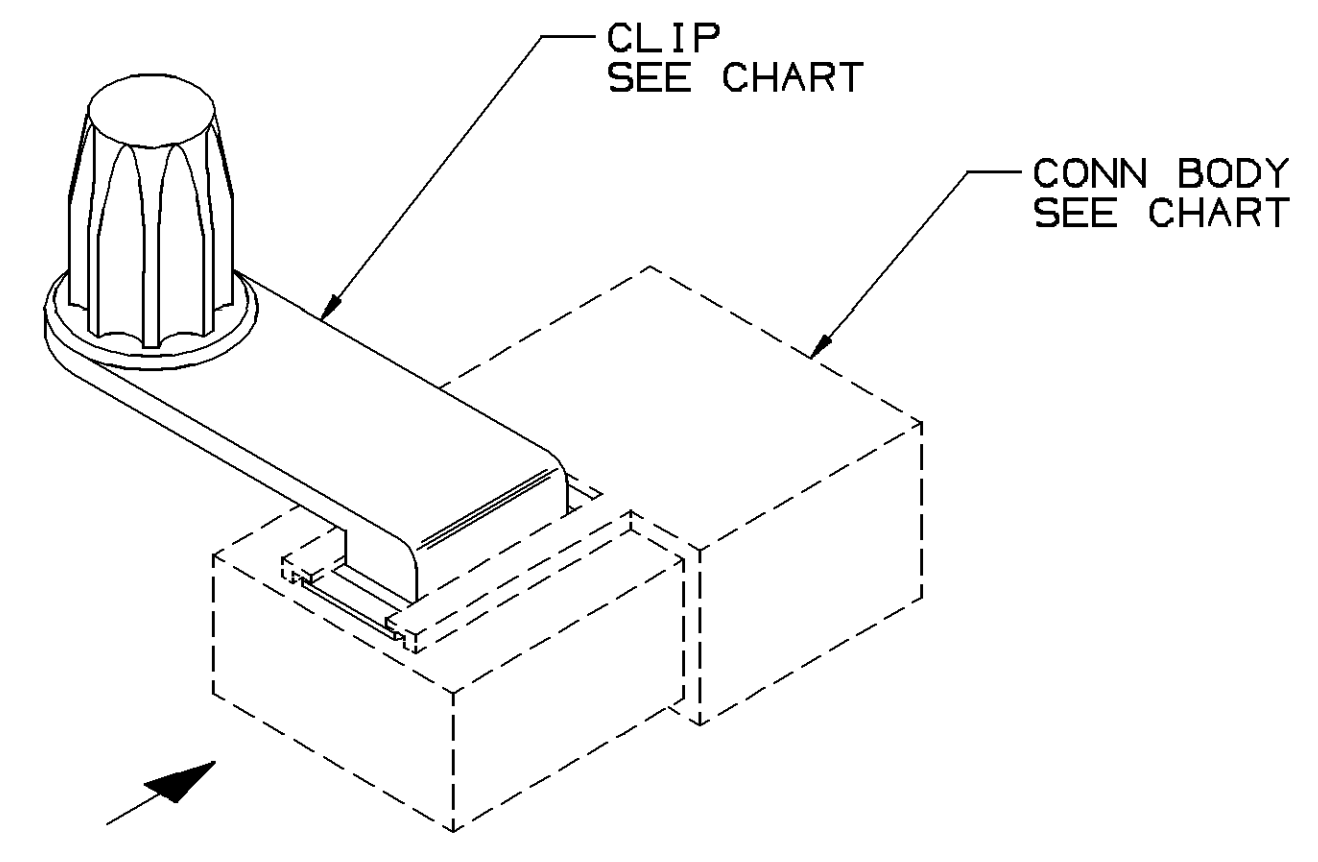
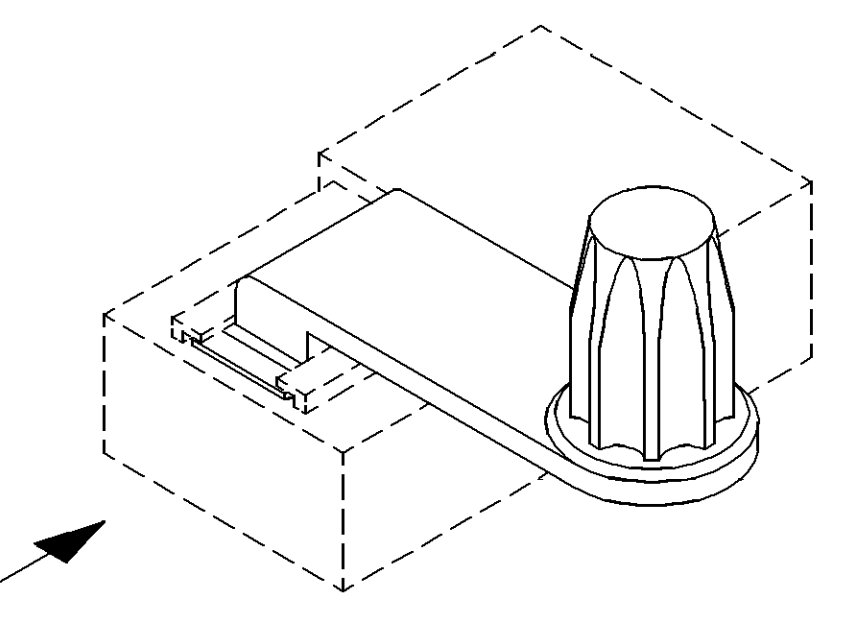


SYMBOL DEFINITION		TOTAL NO OF INSPECTIONS REQUIRED	1
A DIMENSION WITHOUT AN INSPECTION REPORT SYMBOL DOES NOT REQUIRE INSPECTION. IT MAY BE CONTROLLED ON THE INDIVIDUAL COMPONENT DRAWING.			
	LAST NO. USED		1

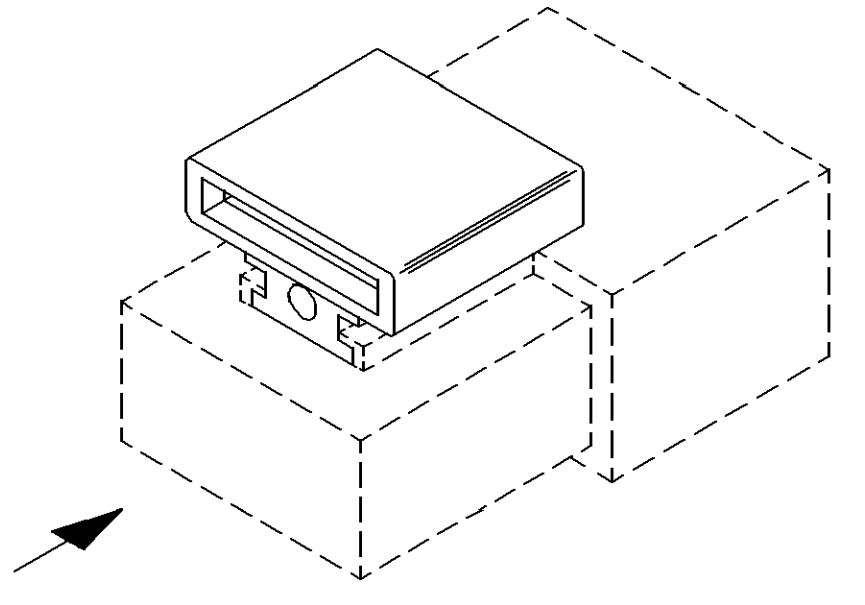
DWG STATUS				REVISION HISTORY				AUTH		DR		APVD	
DATE	STG	REV	W/P	CHG	ZONE								
020002	R	20	-	-		CLEARED REV COL & 15449356 - RELEASED	231316	RVP	RVP	EM			
31JUL03	R	21	-	-		ALL ACTIVE PARTS - REVISED ASM NOTE 2	243742	JYD	EVO	FR			
22NOV03	-	22	-	-		15485606 RELEASED AND ADDED TO TAXI	249245	END	END	RP			
20SEP04	R	23	-	-		12066196, 12124626 - MADE OBSOLETE	259312	MJM	MJM	MR			
18JAN05	R	24	-	-		ALL ACTIVE TYPE 606 - ADDED NOTE TO VIEW	263138	RH	RH	WTM			
20JAN06	R	25	-	-		12110249 - OBSOLETE	276453	JPH	FRG	MKM			



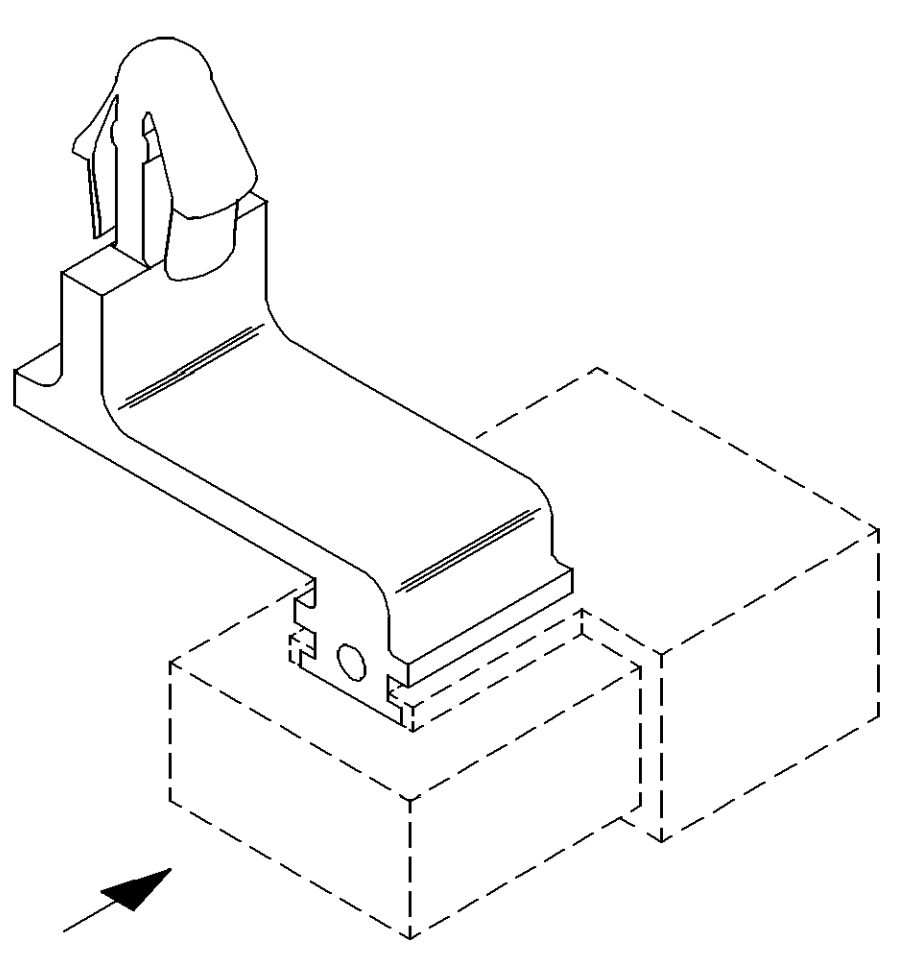
TYPE 601



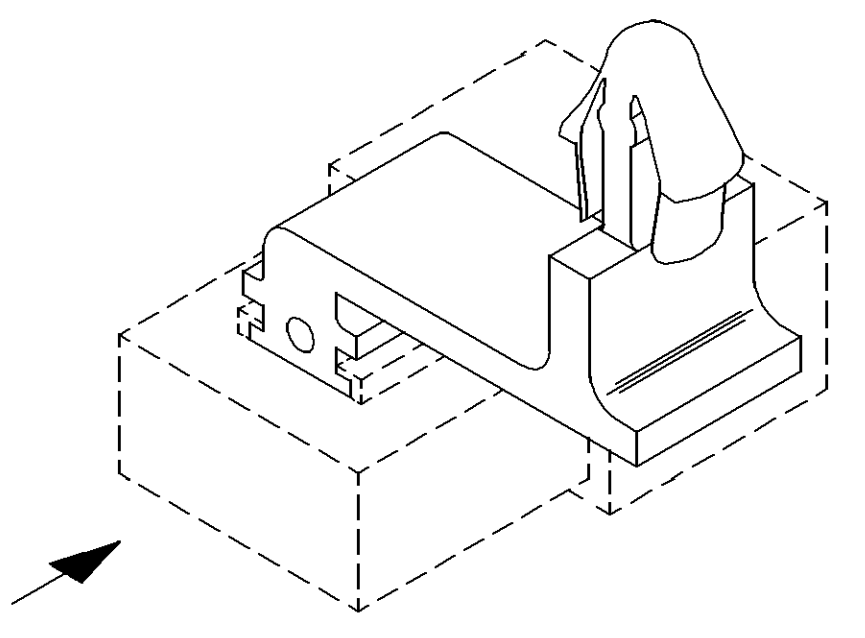
TYPE 602



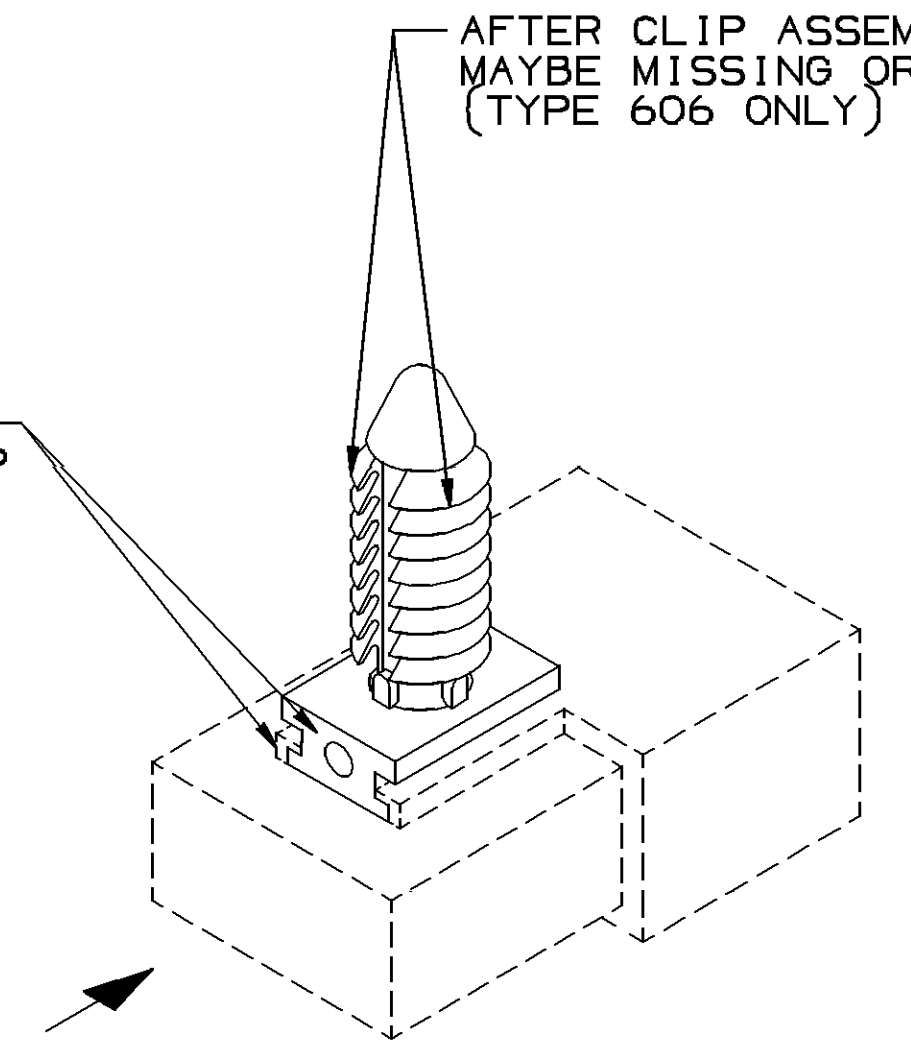
TYPE 603



TYPE 604



TYPE 605



TYPE 606

AFTER CLIP ASSEMBLY THE FIRST RIBS MAYBE MISSING OR DEFORMED (TYPE 606 ONLY)

DEFORMATION MAY OCCUR AT END OF CLIP AND AT END OF CONNECTOR CLIP SLOT AFTER ASSEMBLY (ALL TYPES)

- NOTES
- UNLESS OTHERWISE SPECIFIED AND/OR INDICATED: DIMENSIONS ARE TO FACE OF VIEW SHOWN AND AUTOMATICALLY ROUNDED BY COMPUTER FOR INSPECTION (SEE MATH MODEL FOR PRECISE DIMENSIONS). FOR ALL OTHER DIMENSIONS NOT SHOWN BUT REQUIRED FOR TOOL BUILD, SEE MATH MODEL FOR PRECISE TOOL PATH DATA.
 - ARROW INDICATES CABLE END.
 - PROCESS ENGINEERING AND MANUFACTURING DETERMINE THE PROPER METHOD OF ASSEMBLY TO SECURE CLIP TO CONNECTOR CLIP SLOT. ANY OF THE OPTIONAL CONSTRUCTION METHODS (LISTED IN ASSEMBLY NOTE #2) ARE PERMISSIBLE AS LONG AS DISENGAGE REQUIREMENTS ARE MAINTAINED FOR THE PROCESS SELECTED.
 - REFERENCE ESA 737 FOR VPS.

- ASSEMBLY NOTES
- ASSEMBLE CLIP SECURELY IN CONNECTOR BODY.
 - OPTIONAL ASSEMBLY CONSTRUCTIONS ARE:
 - A. HEAT CRIMP - 30N MINIMUM DISENGAGE CLIP FROM CLIP SLOT
 - B. SONIC WELD - 30N MINIMUM DISENGAGE CLIP FROM CLIP SLOT
 - C. GLUE APPLICATION - 60N MINIMUM DISENGAGE CLIP FROM CLIP SLOT (APPLY M3549, M3520 OR M5263)

CONN BODY & CLIP ASM	REV	N/P	STATUS	CAVITY	CONN BODY	CLIP	TYPE	ASM NOTES	COLOR	SEALING CODE
15485606	01	AA	-	2	12064870	12047835	606	1,2	BLU	0
15449356	01	AB	-	16	15332182	12047835	606	1,2	BLK	0
15419810	01	AB	-	4	12047786	12047835	606	1,2	BLK	-
15419808	01	AD	-	8	15412350	12047835	606	1,2	LT GRA	-
15417053	01	AC	-	8	12110214	12047835	606	1,2	YEL	-
15393225	01	AC	-	2	12052833	12047835	606	1,2	BLK	-
15358819	01	AA	OBSOLETE	12	15326942	12047835	606	1,2	BLK	-
15355525	01	AC	-	4	12047786	12047835	606	1,2	BLK	-
15355387	01	AC	-	15	12110781	12052282	604	1,2	BLK	3
15358715	A4	-	-	3	12064759	12047835	606	1,2	BLK	-
15355233	01	AC	-	8	15326928	12052282	605	1,2	BLK	-
15354998	A4	-	-	8	15326928	12047835	606	1,2	BLK	-
15354699	A5	-	-	2	12064868	12047835	606	1,2	NAT	-
15336747	A4	-	-	2	12064750	12052282	605	1,2	BLK	-
15336436	A4	-	-	2	12010973	12052282	605	1,2	BLK	3
15336435	A4	-	-	2	12010973	12052282	604	1,2	BLK	3
15336106	A5	-	-	2	12065863	12047835	606	1,2	BLK	3
15317944	A5	-	-	8	12047931	12052282	605	1,2	BLK	3
15305452	A6	-	-	2	12064750	12047835	606	1,2	BLK	-
12186106	A3	-	OBSOLETE	1	12162545	12047835	606	1,2	BLK	3
12186074	A6	-	-	8	12041255	12047835	606	1,2	BLK	-
12186013	A4	-	OBSOLETE	5	12085036	12047835	606	1,2	GRA	3
12162624	A6	-	-	4	12064761	12047835	606	1,2	BLK	-
12162483	A5	-	-	7	12041254	12052282	605	1,2	BLK	-
12162476	A6	-	-	4	12059433	12047835	606	1,2	BLK	-
12162373	A3	-	OBSOLETE	8	12041255	12052282	605	1,2	BLK	-
12162317	A6	-	-	2	12092851	12047835	606	1,2	YEL	0
12160291	A6	-	-	3	12047782	12047835	606	1,2	BLK	0
12124753	A6	-	-	3	15300003	12047835	606	1,2	BLK	0
12124648	A3	-	OBSOLETE	23	12092248	12052282	604	1,2	BLK	0
12124626	B4	-	OBSOLETE	4	12186271	12047835	606	1,2	GRA	0
12124473	A6	-	-	4	12020830	12047835	606	1,2	BLK	3
12124146	B7	-	-	4	12052054	12047835	606	1,2	BLK	0
12124067	A6	-	-	3	12020398	12047835	606	1,2	BLK	0
12110249	A6	-	OBSOLETE	23	12092248	12052282	605	1,2	BLK	0
12103446	B3	-	OBSOLETE	2	12162343	12047835	606	1,2	GRA	3
12089967	A6	-	-	4	12010974	12047835	606	1,2	BLK	3
12089906	A6	-	-	8	12064767	12047835	606	1,2	BLU	0
12089892	A6	-	-	6	12064763	12047835	606	1,2	GRA	0
12089868	A6	-	-	2	12047663	12047835	606	1,2	BLK	0
12089813	A6	-	-	5	12052480	12047835	606	1,2	GRA DK	3
12089526	A7	-	-	8	12045688	12047835	606	1,2	BLK	0
12089394	A3	-	OBSOLETE	3	12052844	12047835	606	1,2	BLK	3
12089393	A3	-	OBSOLETE	4	12084435	12047835	606	1,2	BLK	0
12089392	A3	-	OBSOLETE	6	12052849	12047835	606	1,2	BLK	3
12089268	A6	-	-	4	12015024	12047835	606	1,2	BLK	3
12088022	A3	-	OBSOLETE	2	12052647	12047835	606	1,2	BLK	3
12084203	B5	-	-	4	12020830	12052282	604	1,2	BLK	0
12066538	A6	-	-	10	12064872	12047835	606	1,2	BLU	0
12066196	O3	AF	OBSOLETE	8	12066195	12047835	606	1,2	BLK	0
12065659	O2	AE	-	10	12064770	12047835	606	1,2	NAT	0
12059640	A6	-	-	3	12020827	12047835	606	1,2	BLK	3
12059473	A6	-	-	2	12010973	12047835	606	1,2	BLK	3
12059414	A6	-	-	8	12010000	12047835	606	1,2	BLK	0
12059396	A6	-	-	11	12020815	12047835	606	1,2	GRA	0
12052936	A6	-	-	1	08900420	12047835	606	1,2	BLK	0
12052606	A6	-	-	10	12045808	12047835	606	1,2	BLK	3
12052284	D5	-	-	8	12041255	12052282	604	1,2	BLK	0
12047935	A5	-	-	7	12047933	12048180	603	1,2	GRA	3
02977748	CE3	-	OBSOLETE	3	02973172	02973613	602	1,2	BLK	-
02977291	CE3	-	OBSOLETE	1	02973392	02973613	601	1,2	BLK	-
02973811	CE3	-	OBSOLETE	3	02973172	02973613	601	1,2	BLK	-

(N/A) PROCESS SENSITIVE DIMENSION

DIMENSIONS ENCLOSED IN () INDICATE REFERENCE DIMENSIONS AND NO TOLERANCE LIMITS ARE ESTABLISHED

DIMENSIONAL RANGE (MM)	TOLERANCE
FROM > 0	> 30
> 30	> 70
> 70	> 100
> 100	> 150
> 150	> 200
> 200	> 250
> 250	> 300
> 300	> 400

THIRD ANGLE PROJECTION

DO NOT SCALE

USE MATH DATA

UNIMAPHICS

DELPHI

DELPHI PACKARD ELECTRIC SYSTEMS
WARREN, OH

DR	DATE
APV01 D. STEELE	26JAB7
APV02 G. FERANCE	29JAB7
APV03 A. HERRMANN	11FEB7
APV04	

UNLESS OTHERWISE SPECIFIED THIS DOCUMENT IS IN ACCORDANCE WITH ASME Y14.5M-1994 AS MODIFIED BY THE IN CHARGE OF REVISIONS AND TOLERANCE AREAS (P) - NONE OTHER DIMENSIONS AND RELATED DATUM APPLY PER - RULE #1 UNLESS FROM AT MEASURES NOT APPLY WITH RELATIONSHIP BETWEEN FEATURES IS ESTABLISHED BY ORIENTATION OR LOCATION TOLERANCES. SPACED PARTITION CALLOUTS MAY BE SHOWN SEPARATELY, REGARDLESS OF DATUM REFERENCE. ALL DIMENSIONS ARE IN MILLIMETERS

SEE DRAWING

DRAWING NAME: TAXI ASM CONN

DRAWING NUMBER: 02973626

SIZE	SHEET	FRAME NO	SHEET NO	STG	REV	N/P
A0	NONE	1	1	6	R	25

197-A
83-V