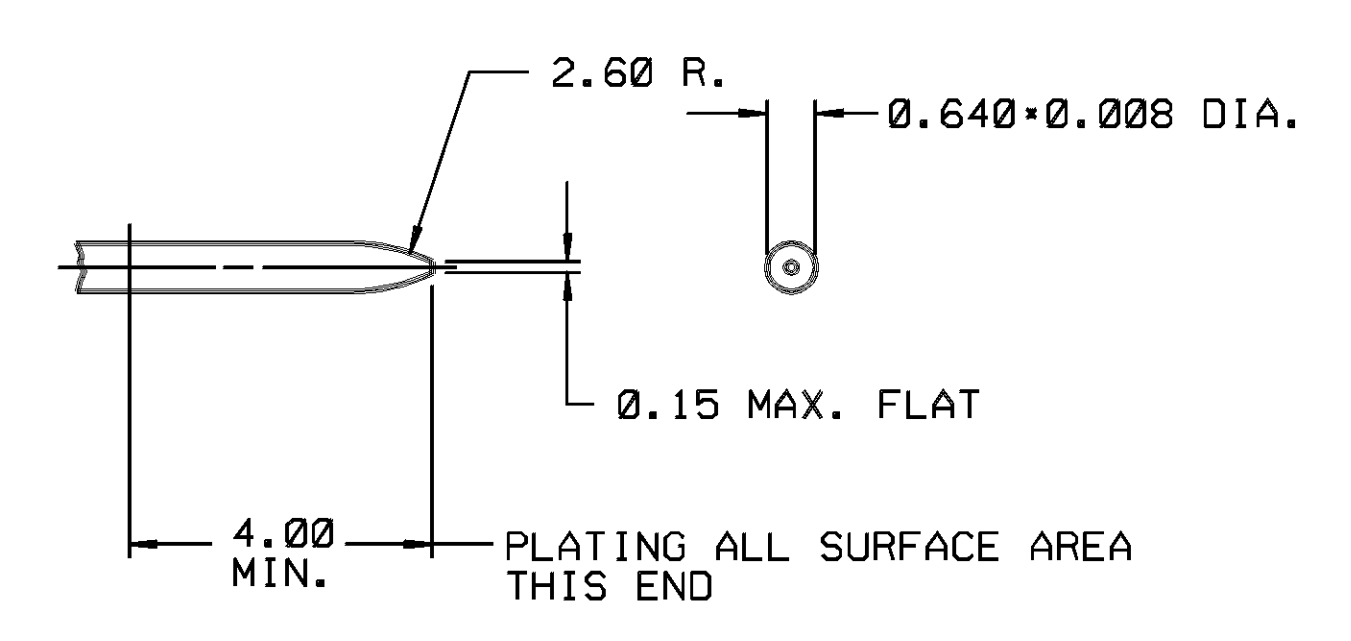


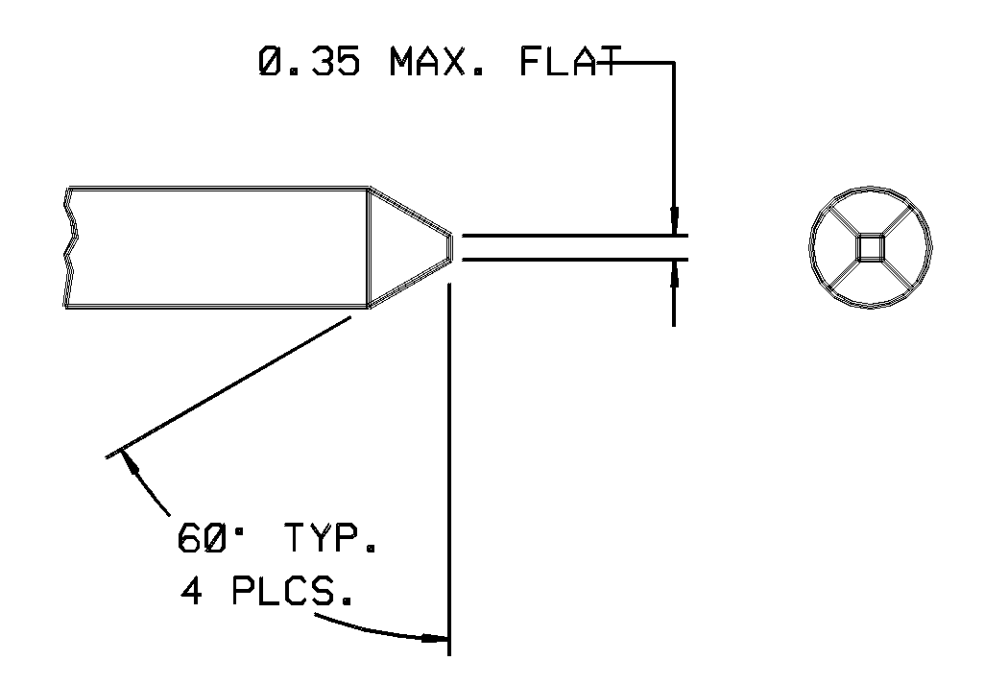
THIS DRAWING AND DESIGN HEREIN CONSTITUTE A PROPRIETARY DESIGN OF PACKARD ELECTRIC DIVISION AND IS NOT TO BE REPRODUCED OR REPRODUCED WITHOUT AUTHORITY OF PACKARD ELECTRIC DIVISION.  
DO NOT SCALE

PART NO.  
**1209 2512**

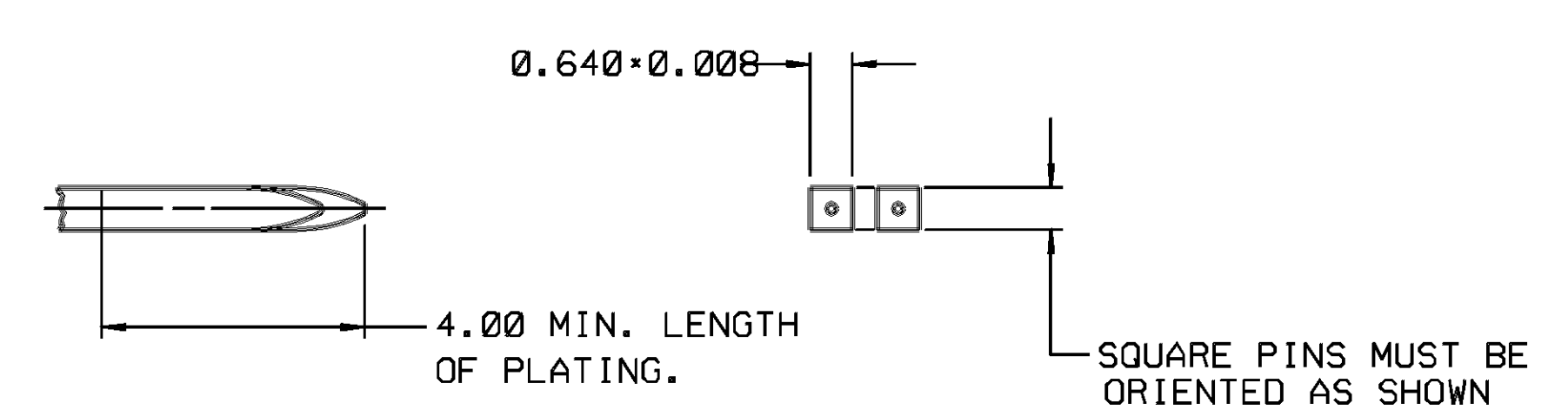
ZONE	DATE	SYM	REVISION RECORD	AUTHORITY	OR	CK
	11AP89	A	RELEASED	890006	DKS	DKS
	20JL89	A1	REVISED GRAPHICS OF CONNECTOR			
			12092405			
	01NO89	A2	ADDED O.C. SPEC. & REVISED CONNECTOR 12092405 FRONT LOCK	128228	DJP	DJP
	10JA90	A3	REVISED GRAPHICS OF 12092405 CONN 30665	129315	BAR	BAR



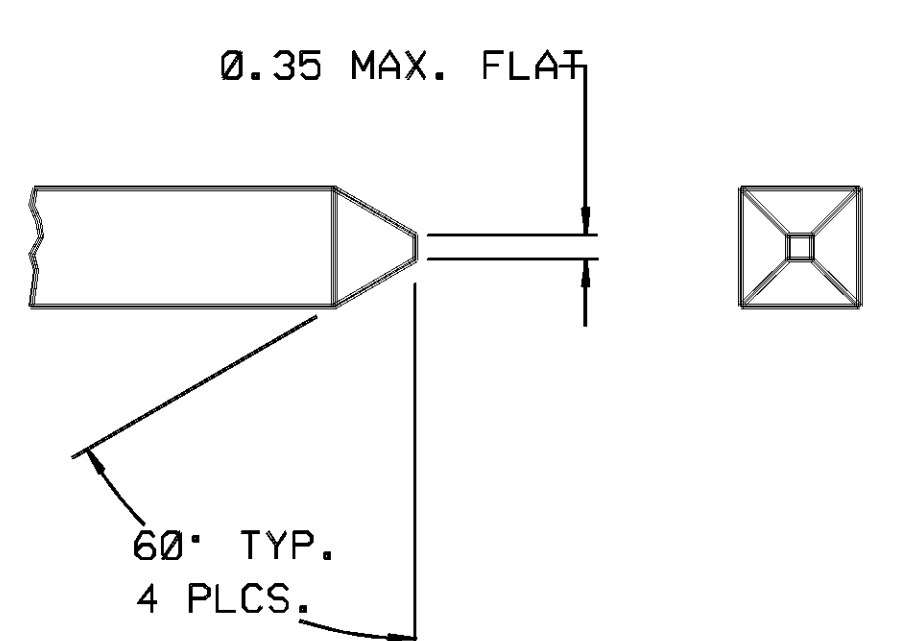
**ROUND PIN (PREFERRED)**  
SCALE 10:1



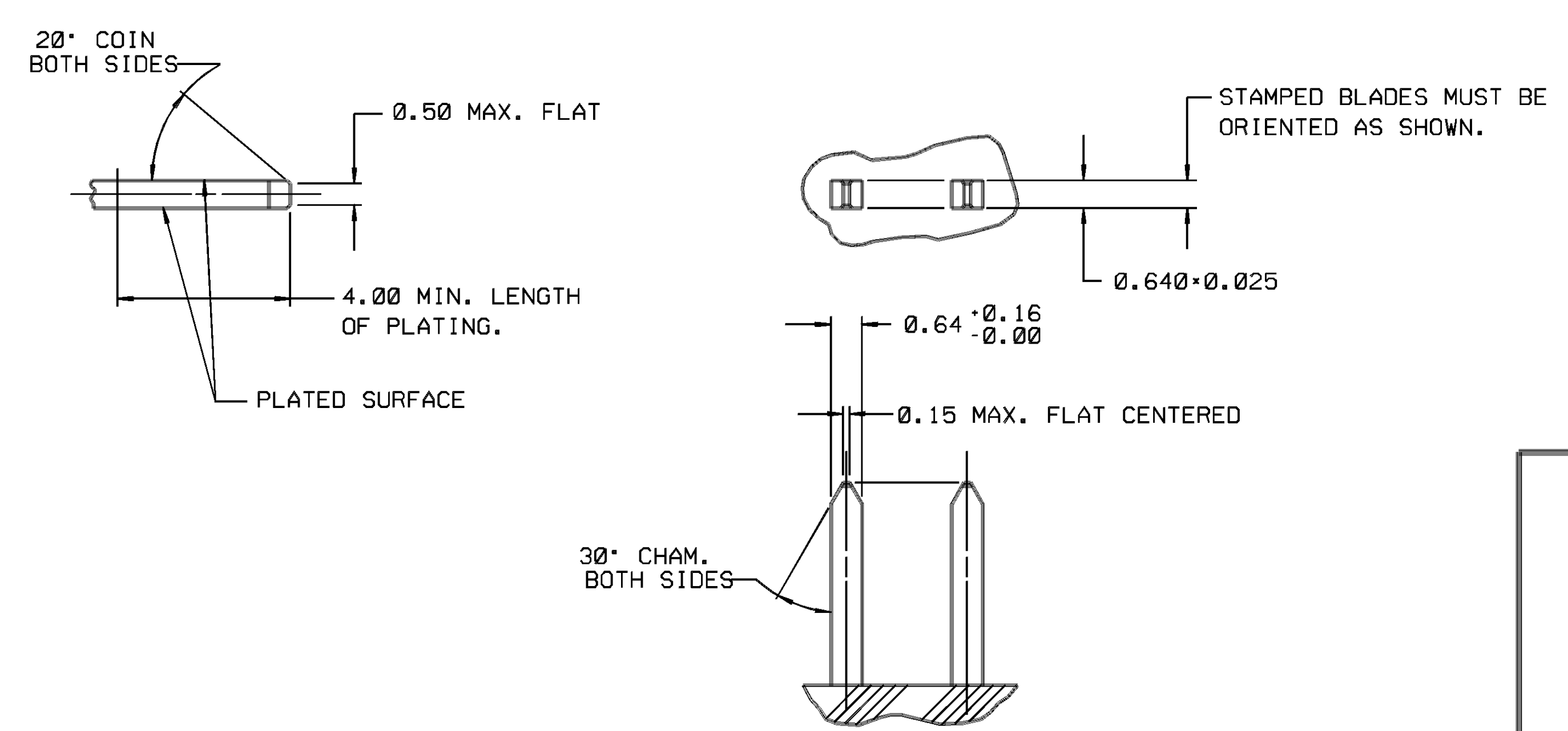
**ROUND PIN (OPTIONAL)**  
SCALE 25:1



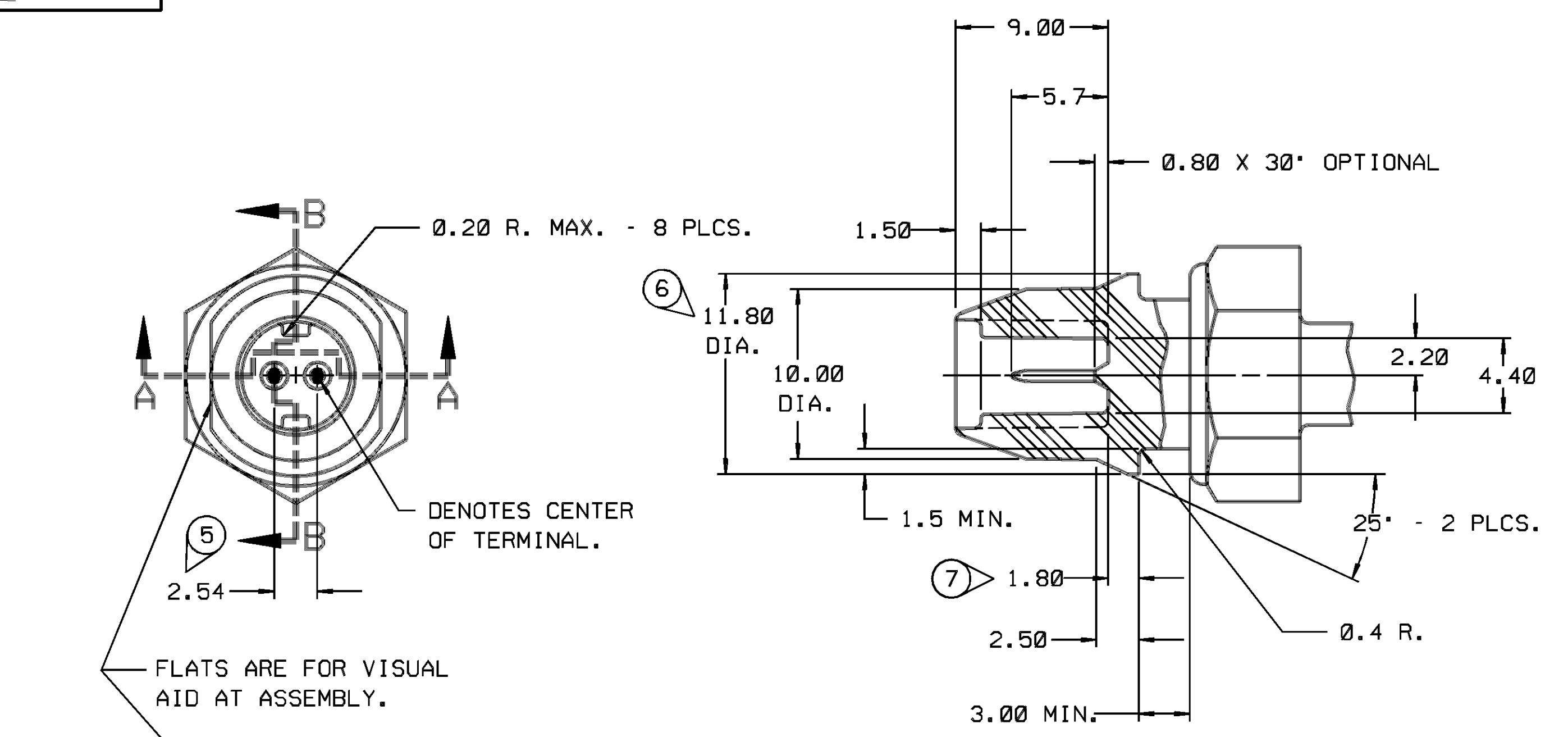
**SQUARE PIN (PREFERRED)**  
SCALE 10:1



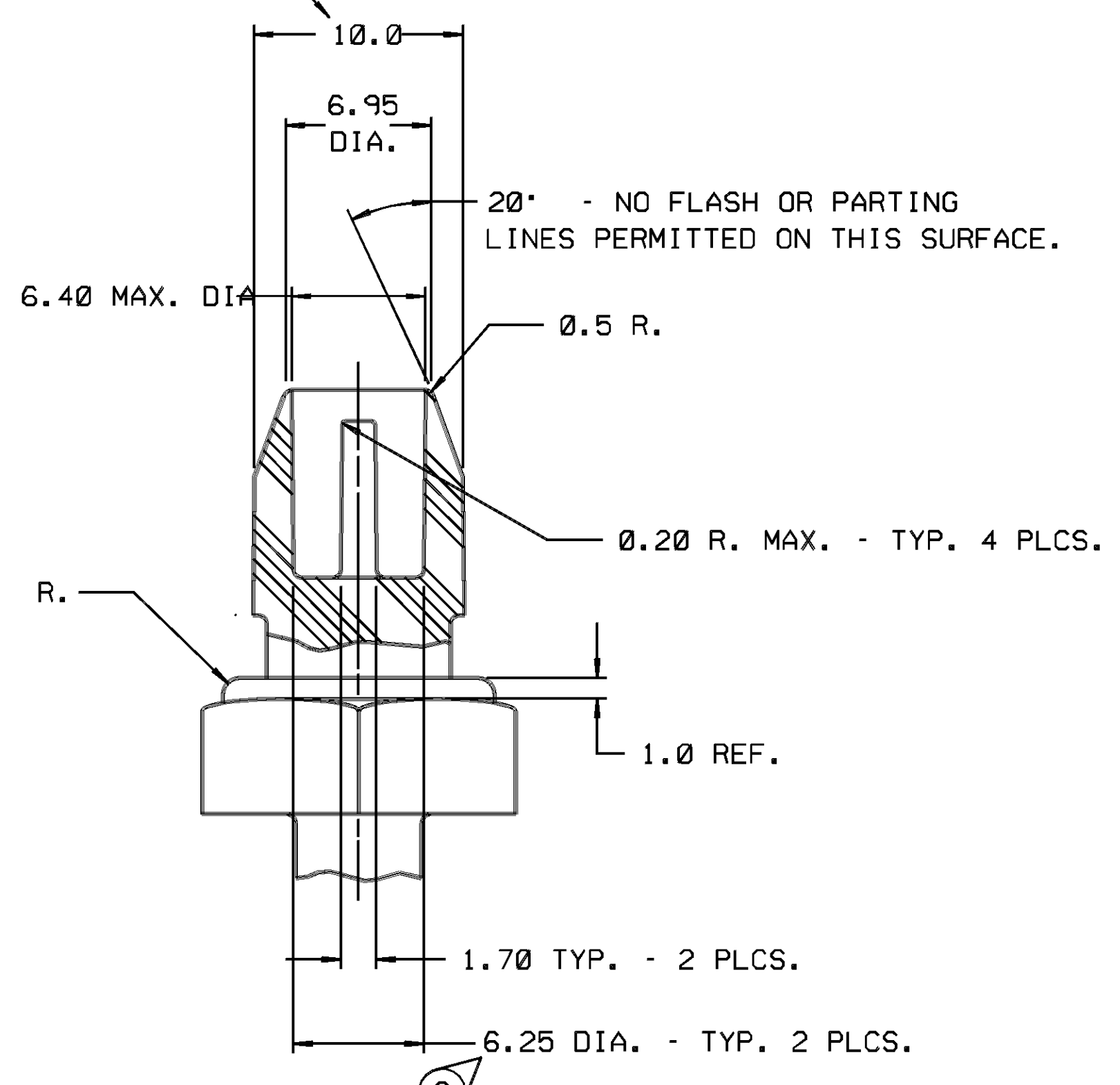
**SQUARE PIN (OPTIONAL)**  
SCALE 25:1



**STAMPED BLADE**  
SCALE 10:1



**SECTION B-B**



**SECTION A-A**

**MATING CONNECTOR INFORMATION**  
SCALE - 4:1

- NOTES**
- ALL RADII 0.40, UNLESS OTHERWISE SPECIFIED.
  - DIMENSIONS ARE TO FACE OF VIEW SHOWN UNLESS OTHERWISE INDICATED.
  - 0°30' DRAFT ON ALL INSIDE AND OUTSIDE SURFACES, UNLESS OTHERWISE SPECIFIED.

**RECOMMENDED MATERIAL:**  
GLASS REINFORCED THERMOPLASTIC

PART NO.  
**1209 2512**

**GENERAL NOTE**  
"C" DENOTES DIMENSIONS AND CHARACTERISTICS THAT ARE IMPORTANT TO THE FUNCTION AND/OR PROCESSING OF THE PART. IT DOES NOT NECESSARILY INDICATE AN DIMENSION. THIS DRAWING HAS 8 SNOWCONES.

**MATING TERMINAL INFORMATION**

**PLATING - CONTACT SURFACE**

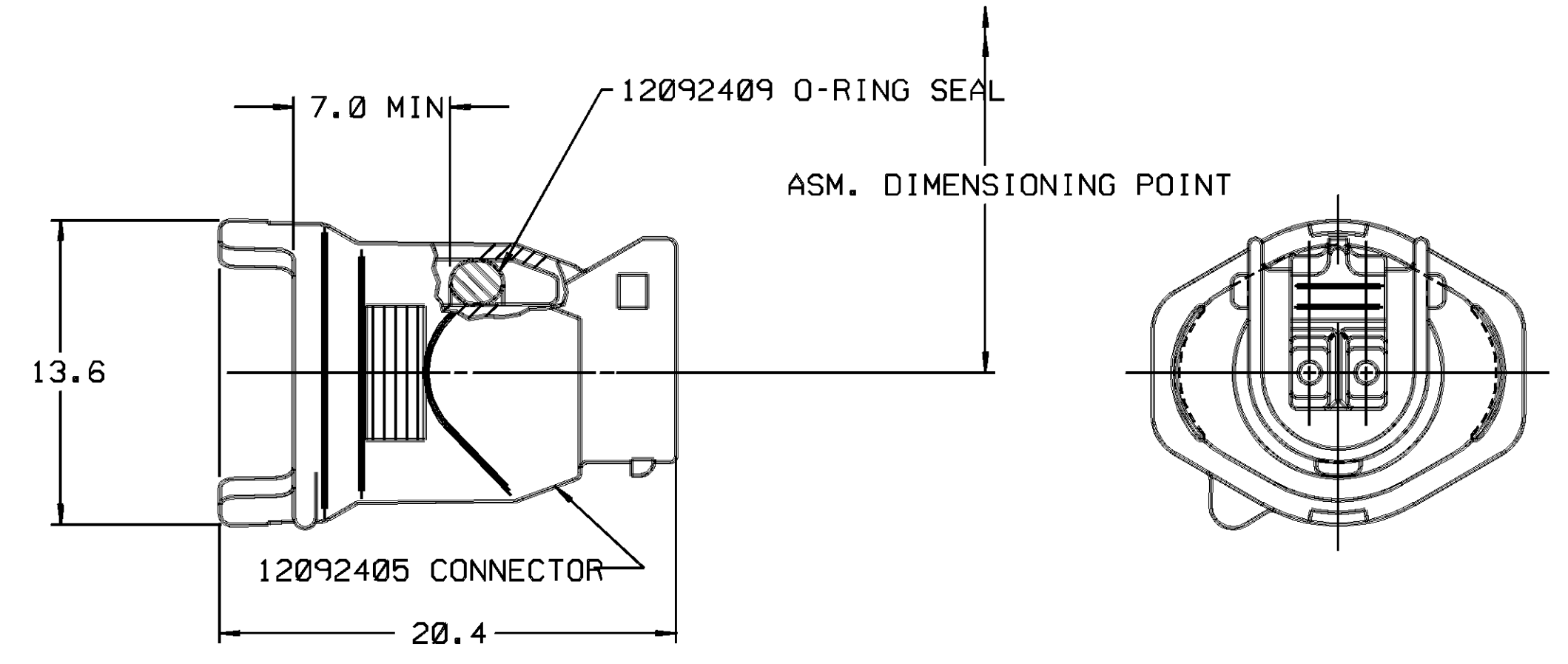
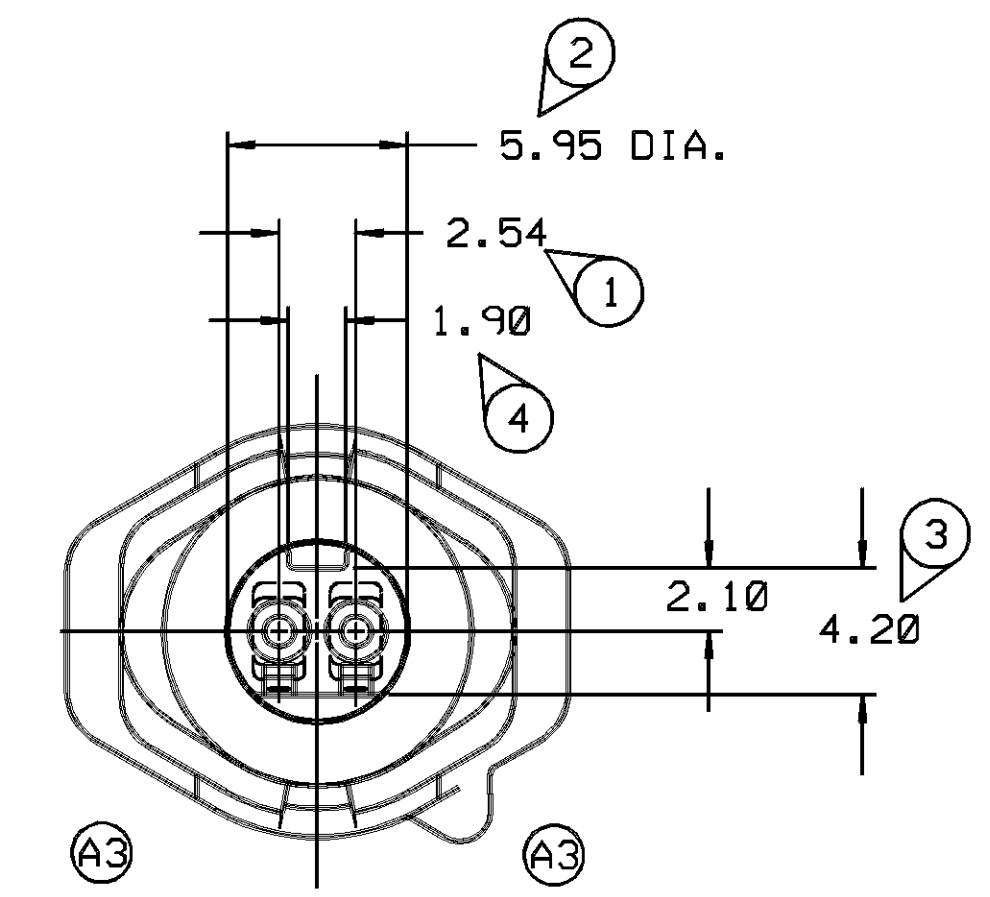
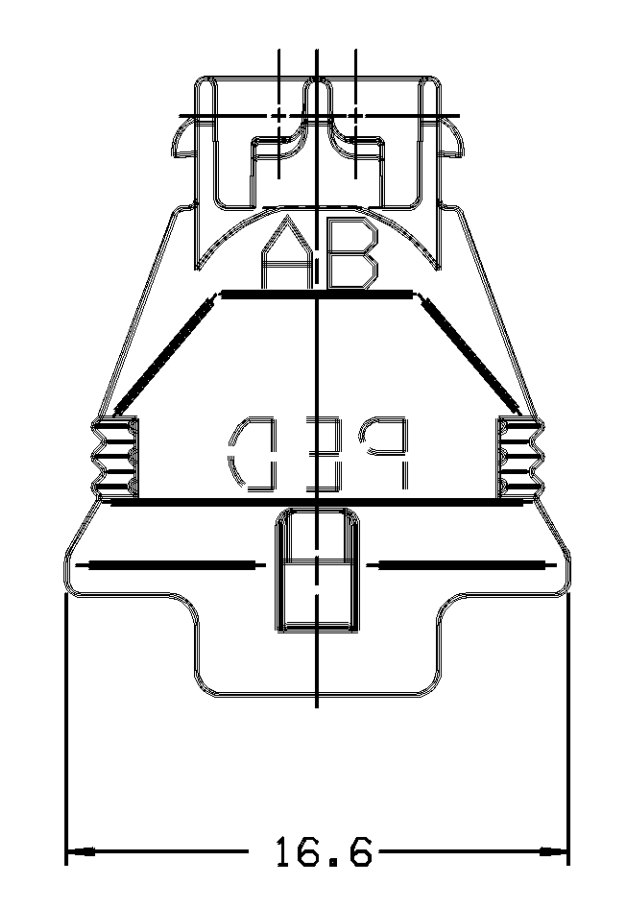
- FOR APPLICATION WHERE SERVICE TEMP. DOES NOT EXCEED 105°C.  
TIN - MIL-T-10727B OR EQUIVALENT  
TYPE I OR TYPE II, 0.0025 MM (.0001 IN.) THK.  
MIN. BRIGHTENERS OPTIONAL
- FOR APPLICATIONS WHERE SERVICE TEMP. EXCEEDS 105°C.  
GOLD - MIL-G-45204C OR EQUIVALENT  
TYPE II-C CLASS 00

**PLATING - BASE MATERIAL (UNDERCOAT)**

- COPPER - USE WITH TIN WHERE REQUIRED  
MIL-C-14550B CLASS 3, 0.005 MM (.0002 IN.) THK.  
OR EQUIVALENT
- NICKEL - USE WITH GOLD  
00-N-290A LOW STRESS SULFIMATE  
0.0013 MM (.00005 IN.) THK. OR EQUIVALENT

**TERMINAL - BASE MATERIAL OPTIONS**

- BRASS - CDA 260, HARD
- PHOS. BRONZE - CDA 510, GRADE A, HARD



- NOTES**
- CAVITIES TO ACCEPT 12092440 TERMINAL, OR EQUIVALENT.
  - CONNECTOR TO ACCEPT 12092408 TPA COVER AND SEALANT ASM. (TERMINAL POSITION ASSURANCE) OR EQUIVALENT.
  - SEALING CODE "3".
  - WHEN PARTS ARE SHIPPED THEY MUST BE PACKED IN PLASTIC BAGS OR SHIPPING CONTAINERS MUST BE LINED WITH PLASTIC LINERS. BAGS OR LINERS MUST BE SEALED TO AVOID ENTRY OF FOREIGN MATTER.

PART NO.  
**1209 2512**

PED/MICROGRAPH	FILE SPEC	***** CONSPECIFICATION***** *****SYTIME*****
THIRD ANGLE PROJECTION	<b>METRIC</b> DIMENSIONS ARE IN MILLIMETERS UNLESS OTHERWISE SPECIFIED.	
CODE NO. 6900	TOLERANCE UNLESS OTHERWISE SPECIFIED	ANGULAR ± °
DWG. DATE 11AP89	ONE PLACE ± 0.2	TWO PLACE ± 0.10
SCALE NONE	DR. DAVE STEELE	11AP89
EST. NO.	CK. DAVE STEELE	DATE 12AP89
REFERENCE NO.	APPR. JOSEPH M. SEN	DATE 13AP89
	APPR. JOHN YURTIN	DATE 13AP89
MATERIAL SPEC.		
SEE DRAWING		
NAME ASM CONN 2F MIC/P 064		
PART NO. 1209 2512	SIZE E	

PACKARD ELECTRIC DIVISION  
GENERAL PURPOSE CORPORATION

PACKARD ELECTRIC DIVISION