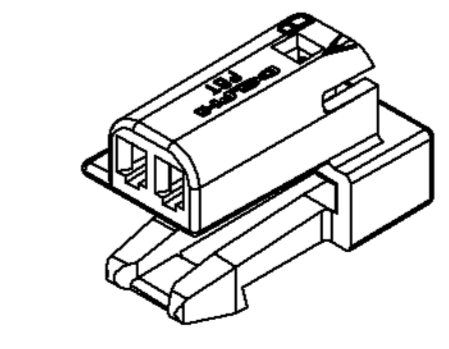
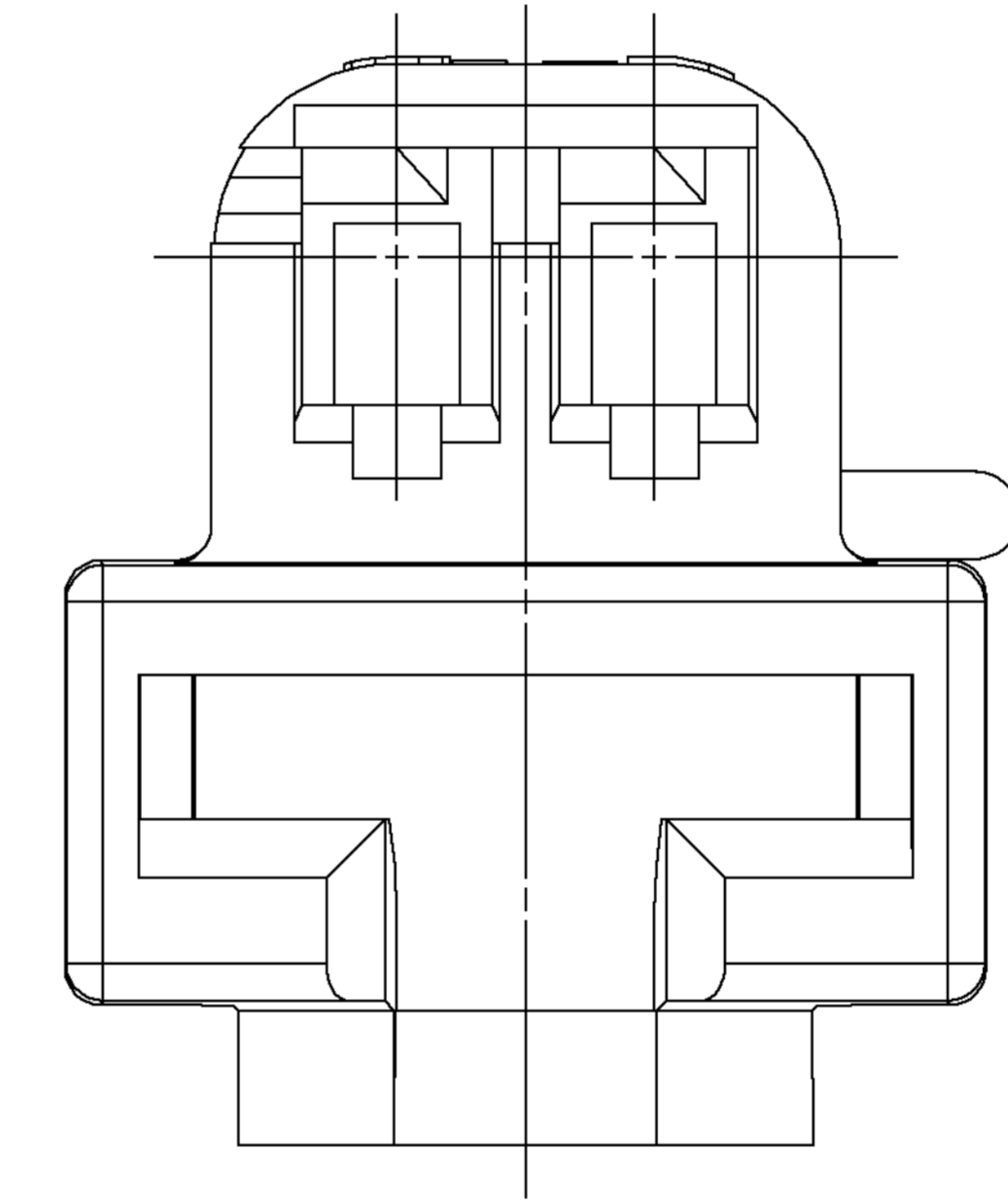
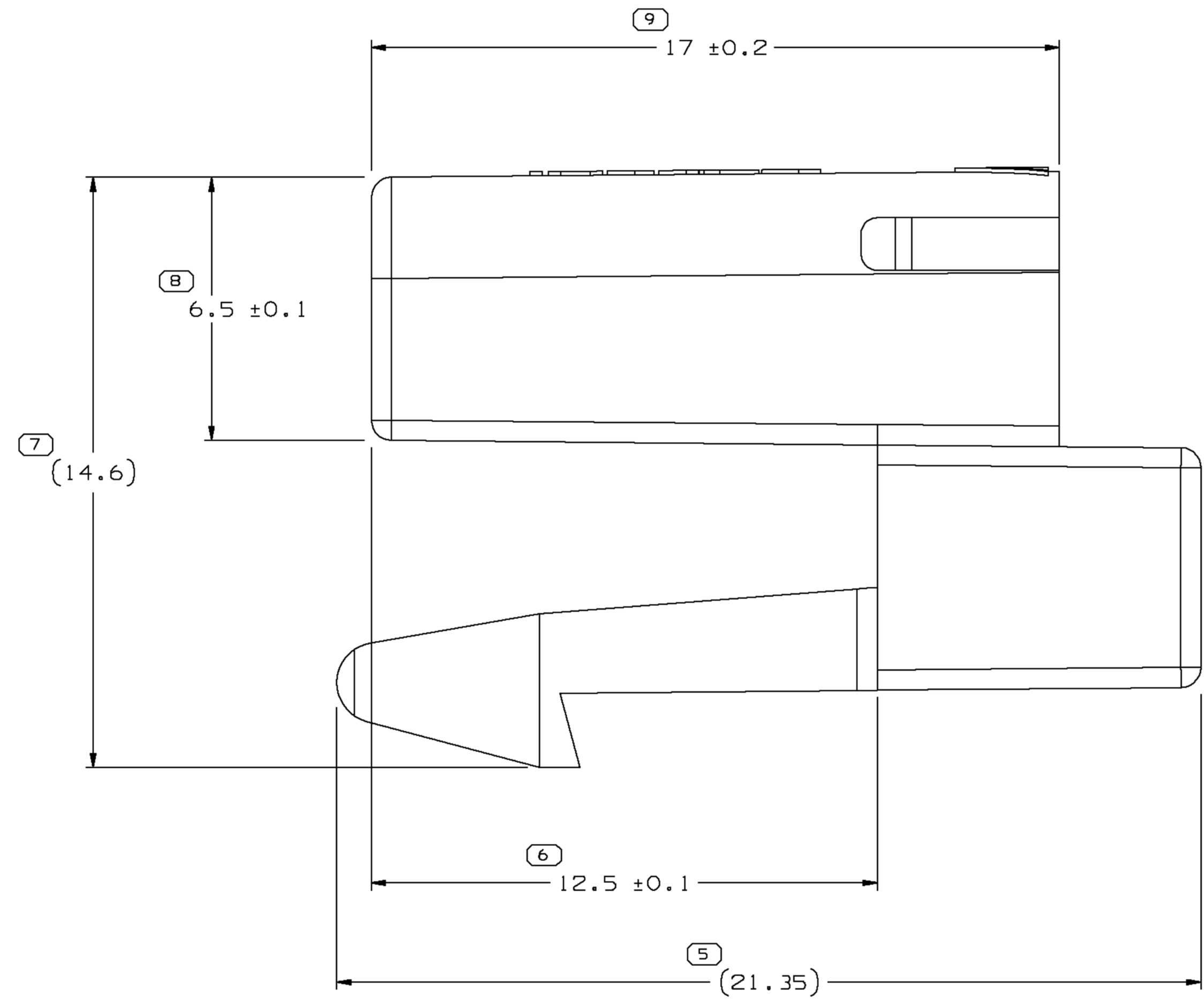
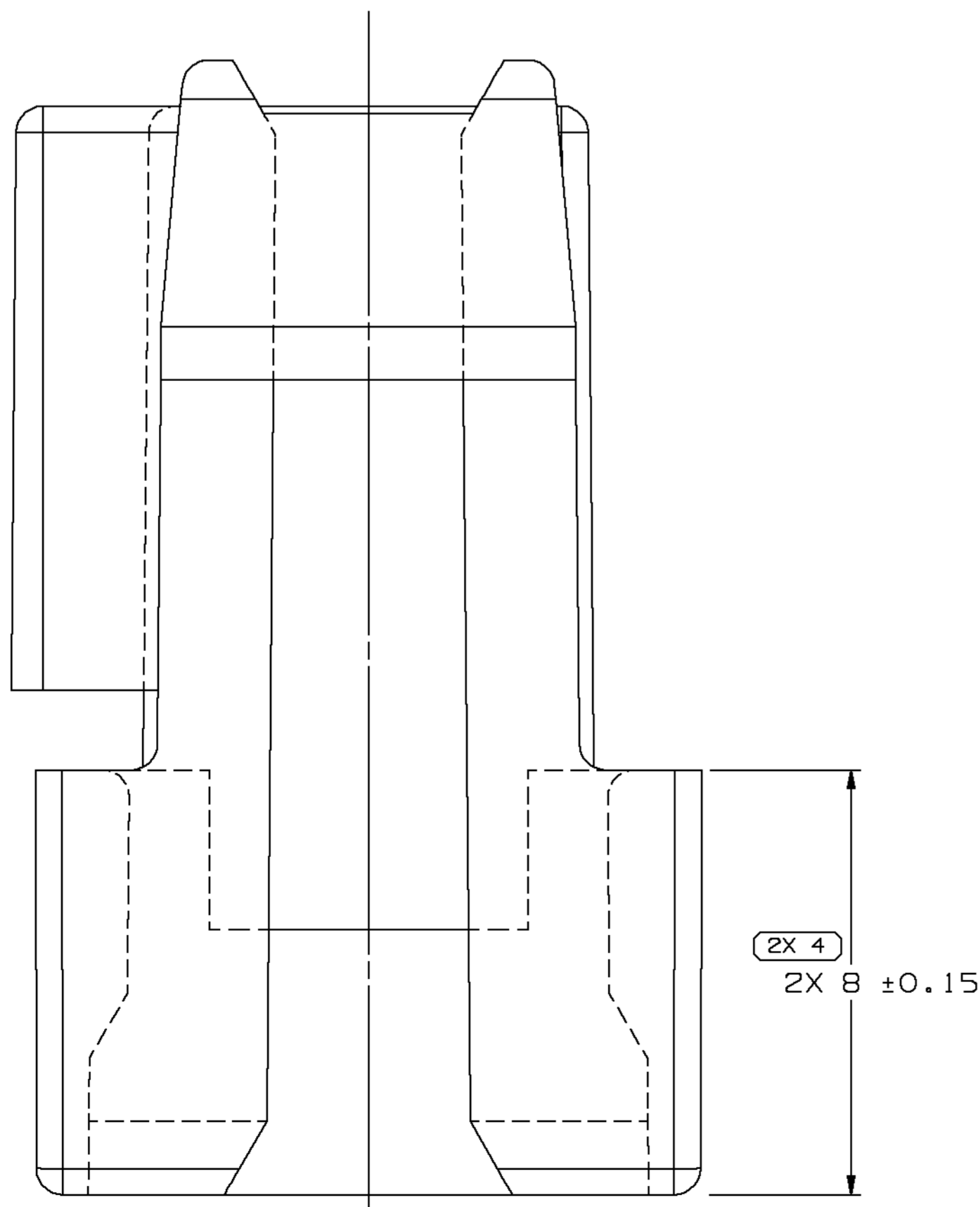
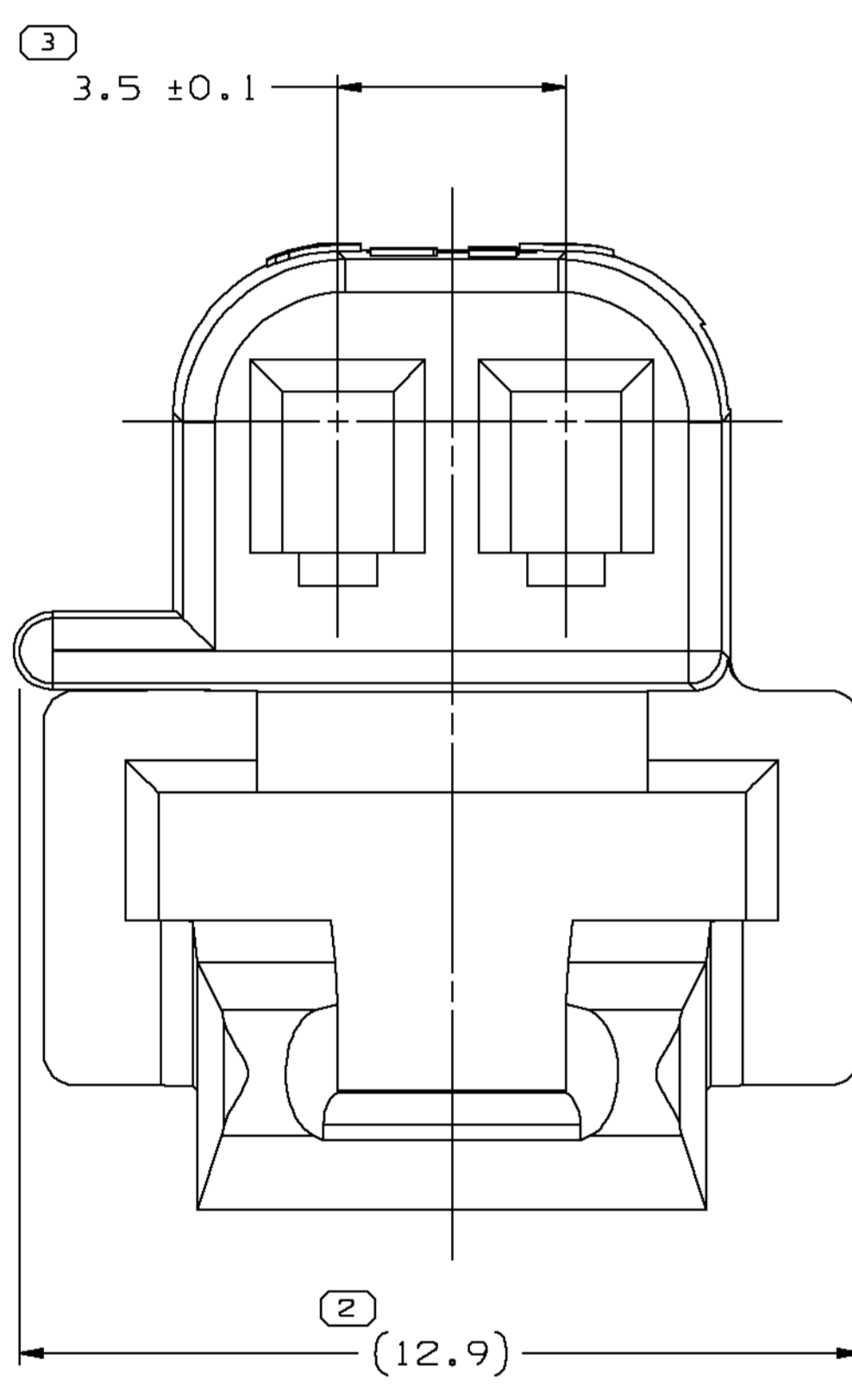
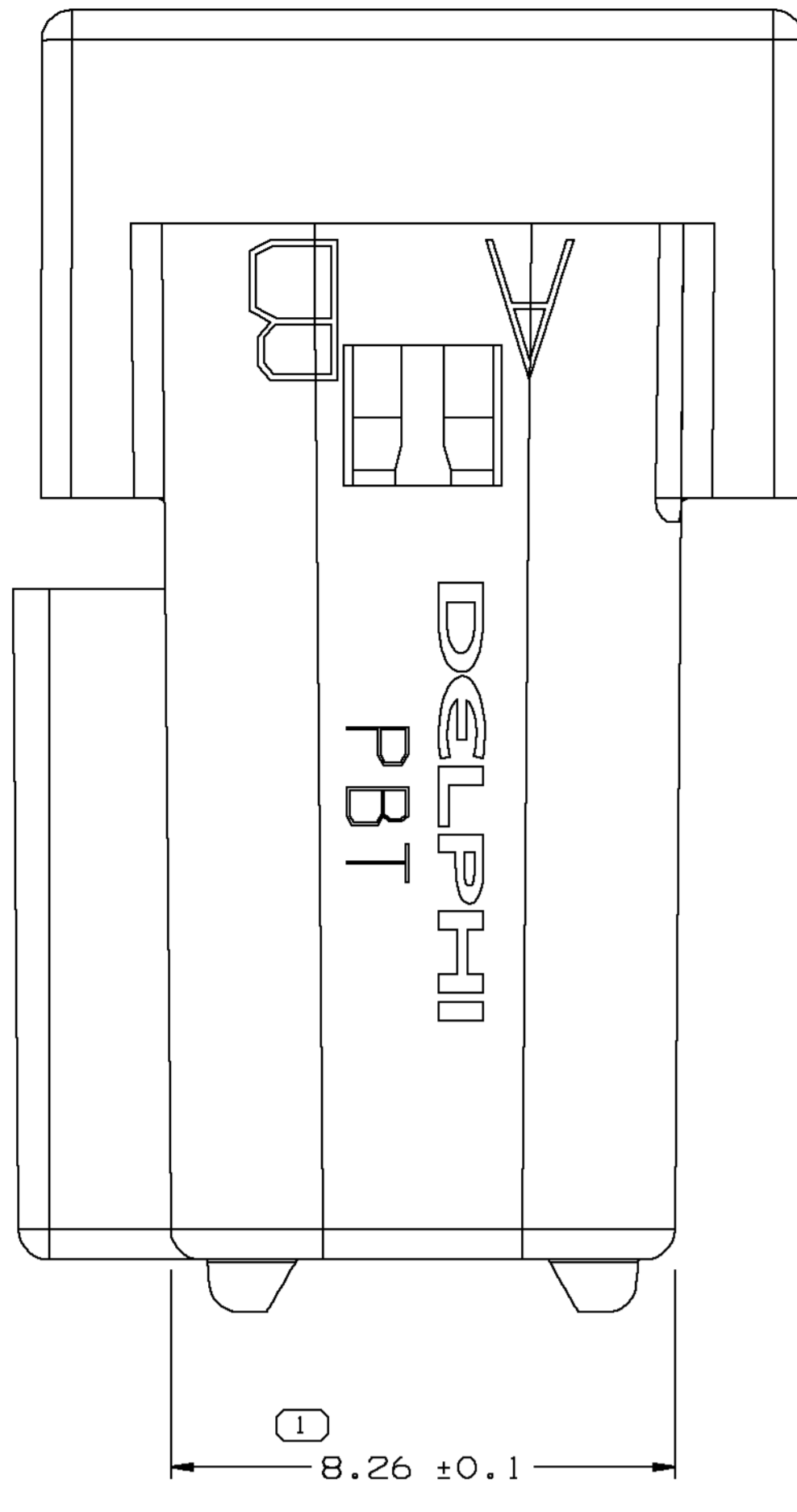


SYMBOL DEFINITION		MISSING SYMBOLS	
A DIMENSION WITHOUT AN INSPECTION REPORT SYMBOL DOES NOT REQUIRE INSPECTION. IT MAY BE CONTROLLED ON THE INDIVIDUAL COMPONENT DRAWING.	TOTAL NO OF INSPECTIONS REQUIRED	NO MISSING SYMBOL NUMBER	
	10		
	LAST NO. USED	9	

DWG STATUS					REVISION HISTORY					AUTH	DR	APVD	APVD		
DATE	STG	REV	N/P	CHG	ZONE										
04SE02	R	02	AB	-		CLEARED REV COL. MAT'L SPEC WAS R0100185 PBT-NAT. SECONDARY TERMINAL LOCK NOTE WAS 12047664 & ADDED NOTES (2 PLCS)					230019	RVP	RVP	1	2



"VIEW SCALE DOES NOT REFLECT ACTUAL PART SIZE"

- NOTES
- UNLESS OTHERWISE SPECIFIED AND/OR INDICATED: DIMENSIONS ARE TO FACE OF VIEW SHOWN AND AUTOMATICALLY ROUNDED BY COMPUTER FOR INSPECTION (SEE MATH MODEL FOR PRECISE DIMENSIONS). FOR ALL OTHER DIMENSIONS NOT SHOWN BUT REQUIRED FOR TOOL BUILD, SEE MATH MODEL FOR PRECISE TOOL PATH DATA.
  - MATERIAL RECYCLING CODE >PBT< PER SAE J1344. (2.3X10.1) RAISED CHARACTERS AS SHOWN TO BE LOCATED ON ANY EXTERIOR SURFACE. OPTIONAL CONSTRUCTION TO BE NO MATERIAL RECYCLING CODE.
  - MATING COMPONENTS OR EQUIVALENT: CONNECTOR 1206486B
  - THIS PART ACCEPTS THE FOLLOWING COMPONENTS OR EQUIVALENT: CAVITIES TO ACCEPT TERMINAL 120478830R EQUIVALENT. MAX INSULATION CRIMP MUST BE LESS THAN 2.6 HIGH AND 2.7 WIDE. SECONDARY TERMINAL LOCK 15324070. CONNECTOR POSITION ASSURANCE LOCK 12052834
  - THIS CONNECTOR IS THIN STOCK TERMINAL SENSITIVE.
  - (2.3)X(0.1) RAISED DELPHI CORPORATE BRAND TO BE LOCATED ON ANY EXTERIOR SURFACE, PREFERABLY VISIBLE AT FINAL ASSEMBLY. OPTIONAL CONSTRUCTION TO BE "PED" OR NO LOGO.

FROM	TO	DIMENSIONAL RANGE (MM)	TOLERANCE UNLESS OTHERWISE SPECIFIED	CHART ET
0	20	> 0	±0.15	1
20	30	> 20	±0.2	2
30	70	> 30	±0.3	3
70	100	> 70	±0.4	4
100	150	> 100	±0.5	5
150	200	> 150	±0.6	6
200	250	> 200	±0.8	7
250	300	> 250	±1	8
300	400	> 300	±1.2	9

DWO TYPE		PART DRAWING	
STYLE	1.079	DISTR CODE	D
VOLUME (CPI)	6900		
UNLESS OTHERWISE SPECIFIED			
THIS DOCUMENT IS IN ACCORDANCE WITH ASME Y14.5M-1994 AS AMENDED BY THE 2003 DIMENSIONING AND TOLERANCING ADDENDUM - 1997. ALL GEOMETRIC TOLERANCES AND RELATED DATUMS APPLY TO ALL DIMENSIONS UNLESS OTHERWISE SPECIFIED. DIMENSIONS ARE TO FACE UNLESS OTHERWISE SPECIFIED. DIMENSIONS ARE IN MILLIMETERS.			
REFERENCE			
THIRD ANGLE PROJECTION	DO NOT SCALE		
USE MATH DATA	UNIGRAPHICS		

**DELPHI**  
DELPHI PACKARD ELECTRIC SYSTEMS  
WARREN, OH

DR	DATE
APVD1 ANDRES MENDEZ	010C01
APVD2 ANDRES MENDEZ	010C01
APVD3 GERARDO MACIAS	040C01
APVD4	
APVD5	

MATERIAL: SUBSTANCES OF CONCERN AND RECYCLED CONTENT PER DELPHI 10949001

M4695001 PBT NAT

DRAWING NAME: CONN 2 F M/P 150 NAT

DRAWING NUMBER: 12064867

SIZE	SCALE	FRAME NO	SHEET NO	STG	REV	N/P
A0	10:1	1	1	1	1	02