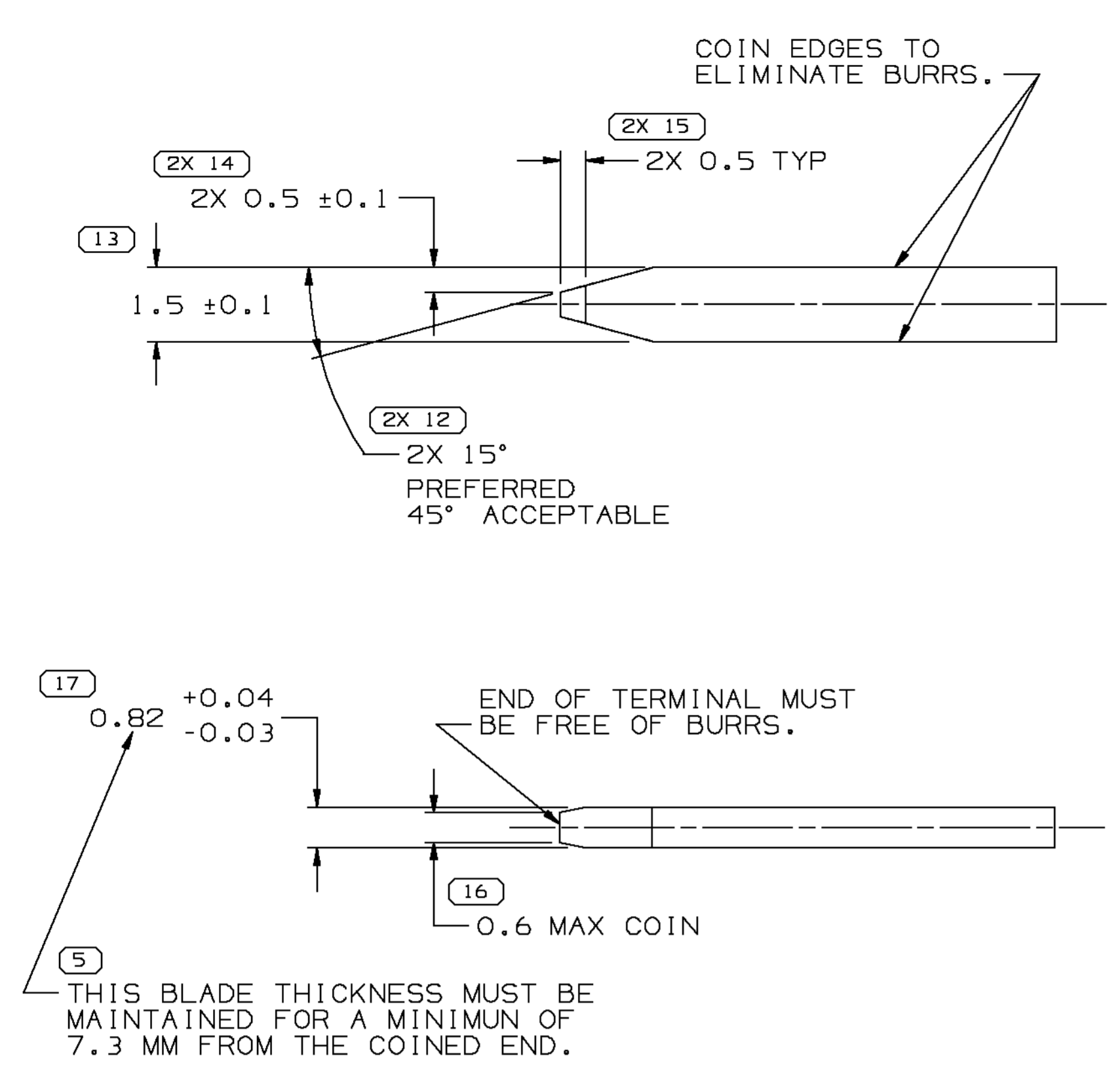


SYMBOL DEFINITION		MISSING SYMBOLS	
A DIMENSION WITHOUT AN INSPECTION REPORT SYMBOL DOES NOT REQUIRE INSPECTION. IT MAY BE CONTROLLED ON THE INDIVIDUAL COMPONENT DRAWING.	TOTAL NO OF INSPECTIONS REQUIRED	NO MISSING SYMBOL NUMBER	
	77		
	LAST NO. USED		
	64		

DWG STATUS				REVISION HISTORY				AUTH		DR		APVD	
DATE	STG	REV	W/P	CHG	ZONE	Cleared revision column, redrawn to PD & 15452173 - RELEASED		232301	ECB	JVM	MOB	1	2
310002	R	01	-	-	-								



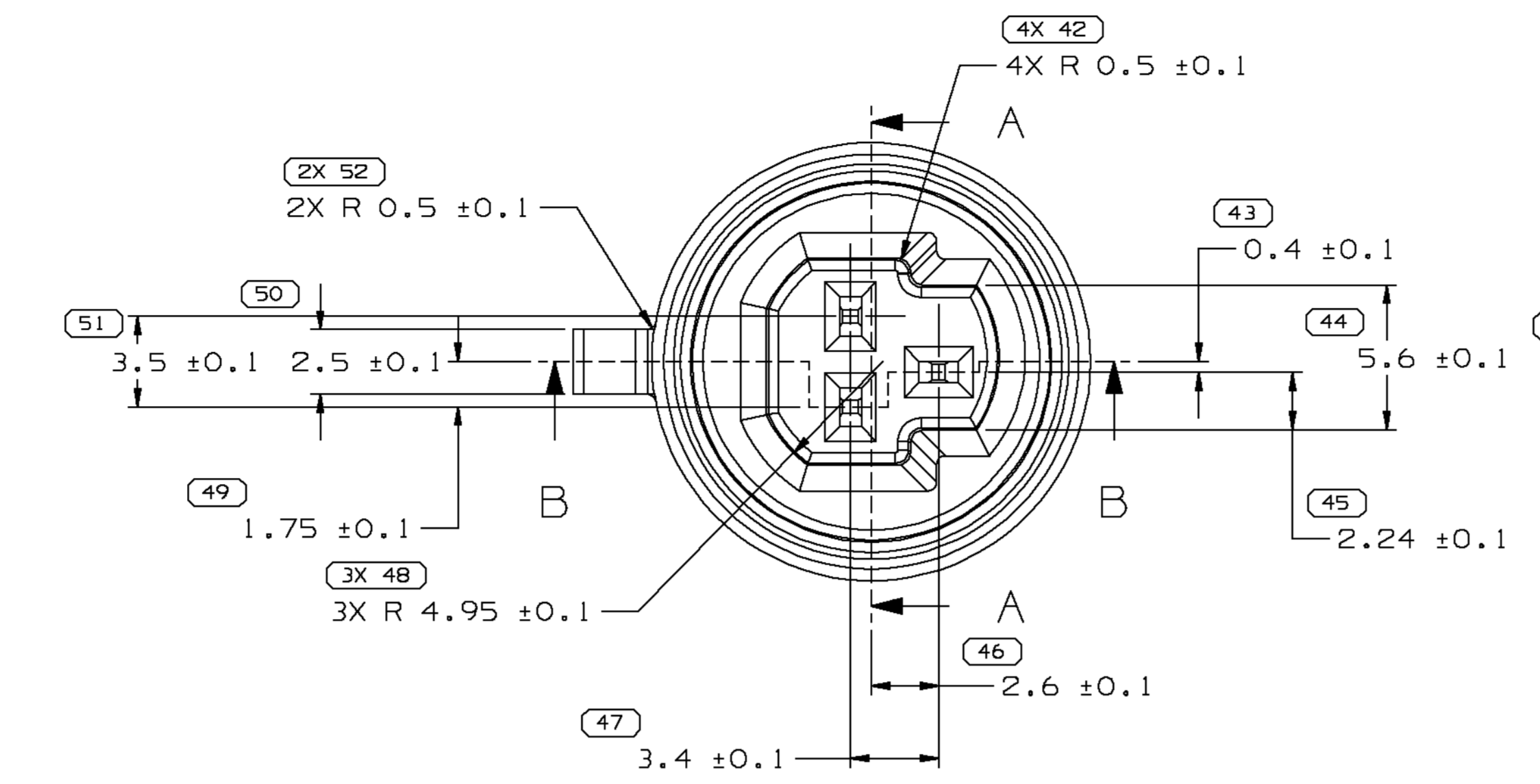
MATING TERMINAL INFORMATION
SCALE 10:1

RECOMMENDED MATERIAL:
P-1546 (CA210) EXTRA SPRING
TEMPER-TIN PLATED BRASS

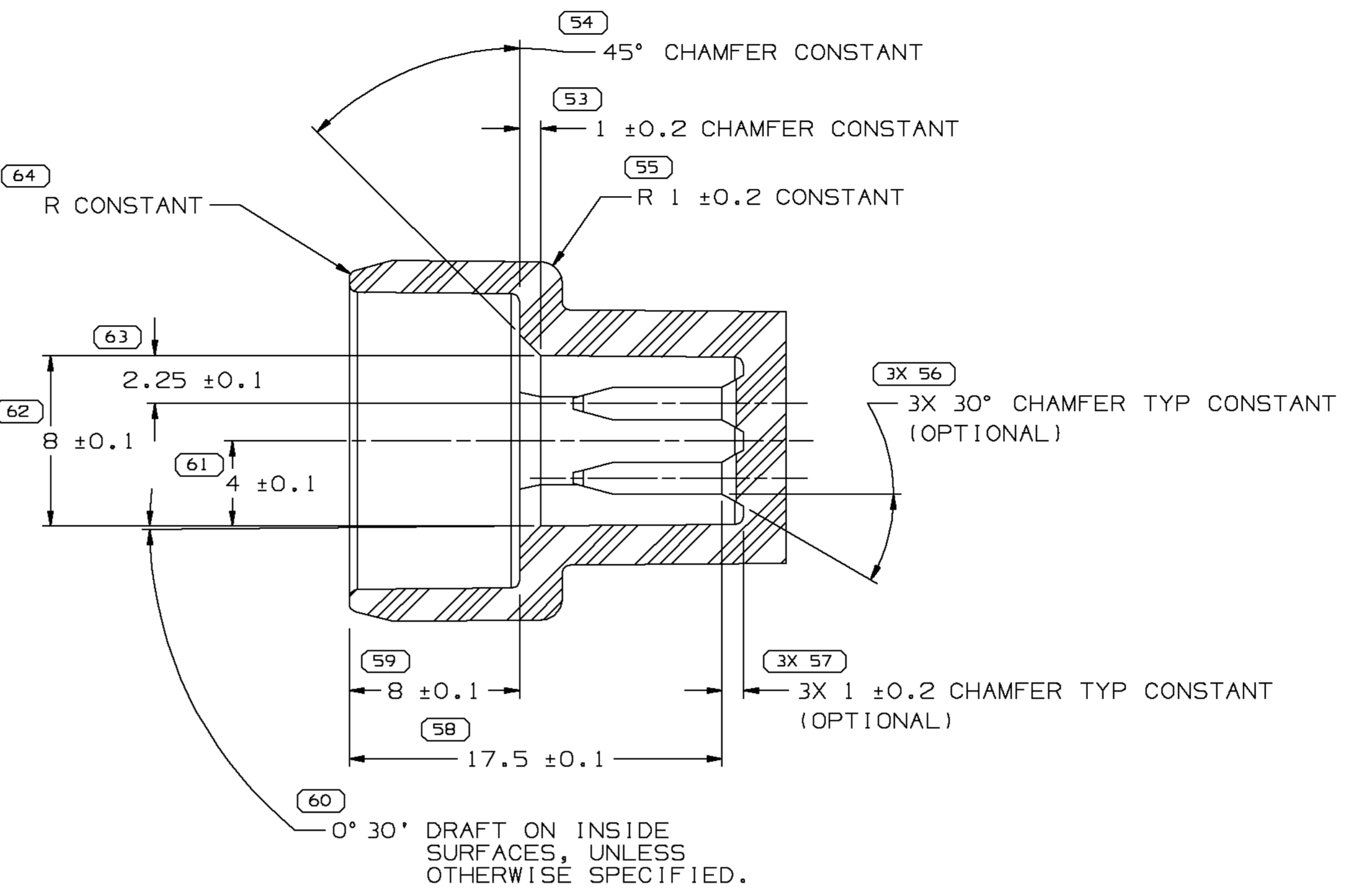
PLATING THICKNESS: 0.005-0.003 MM

TENSILE STRENGTH: 480-430 MPa

INSPECTION SYMBOLS SHOWN IN THESE VIEWS ARE FOR REFERENCE ONLY



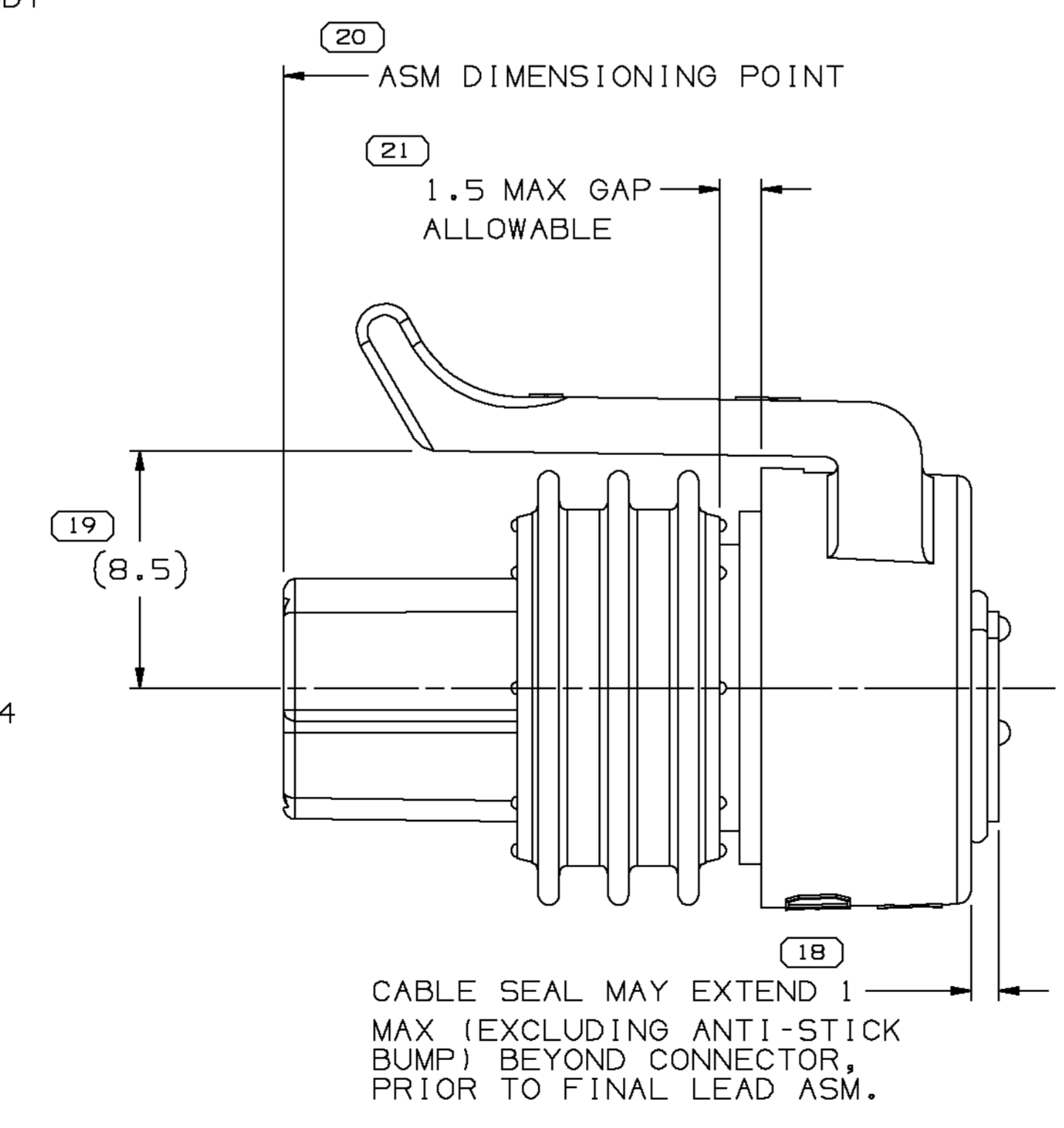
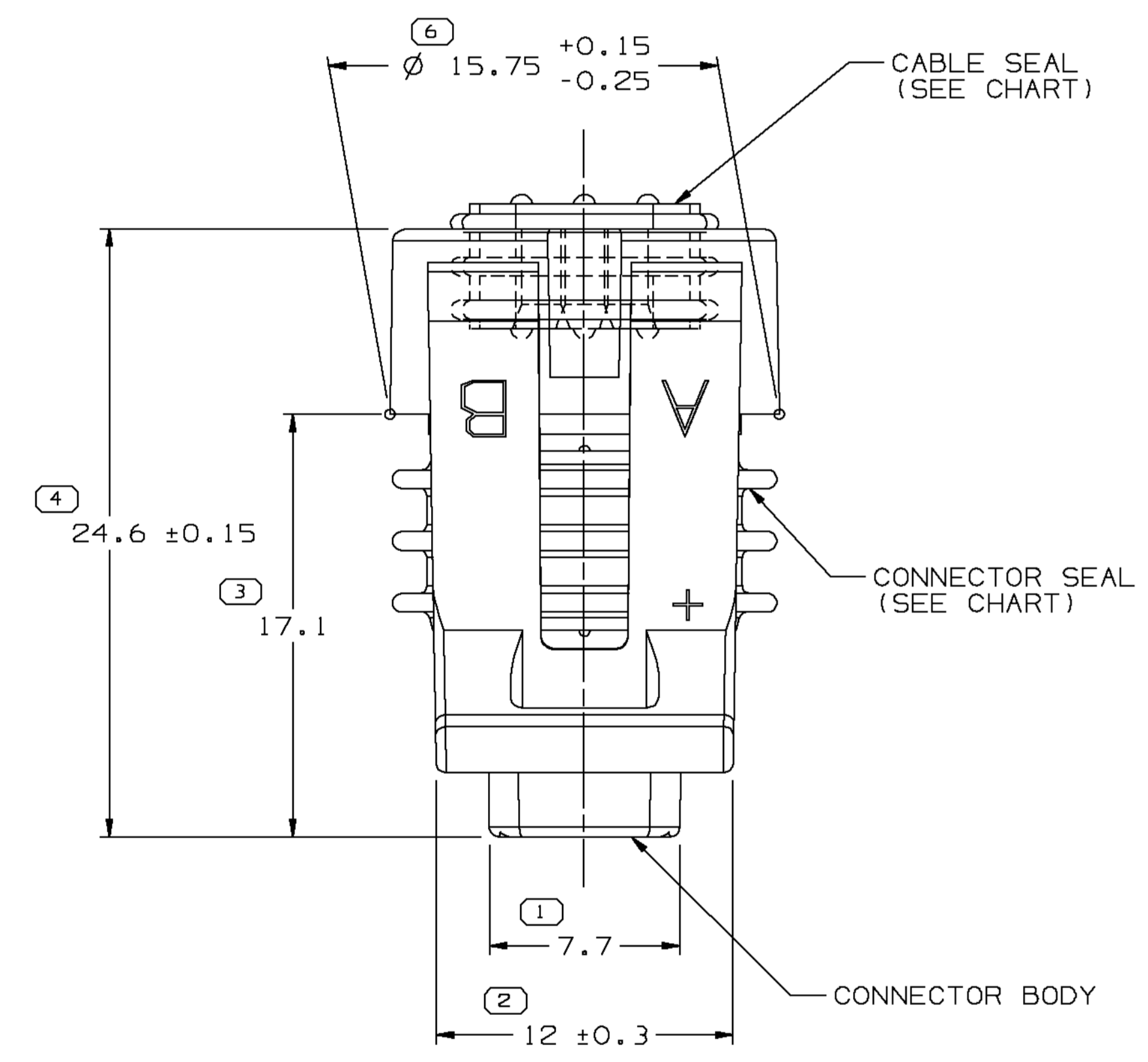
SECTION A-A



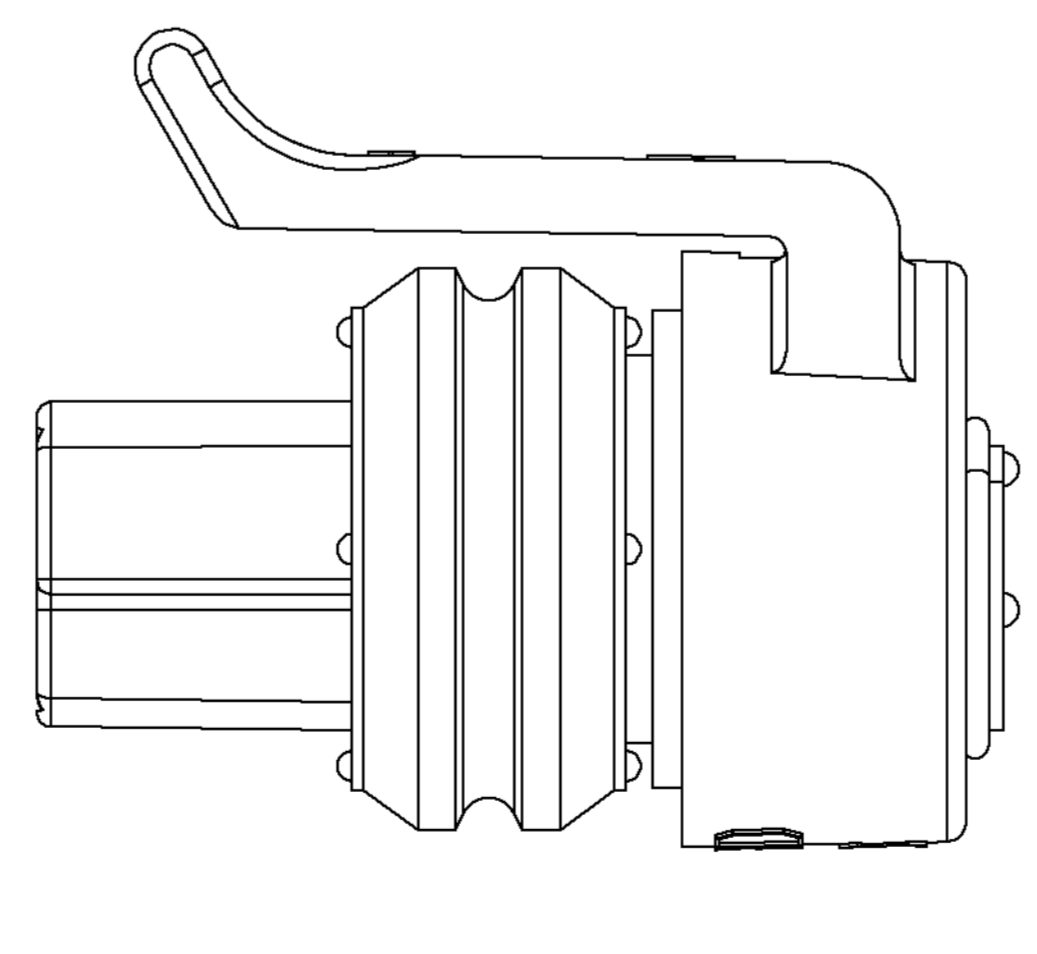
MATING CONNECTOR INFORMATION

RECOMMENDED MATERIAL: GLASS-FILLED POLYESTER
M-2192-001-NATURAL

INSPECTION SYMBOLS SHOWN IN THESE VIEWS ARE FOR REFERENCE ONLY



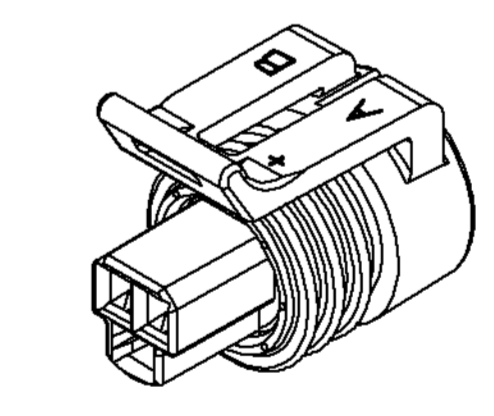
TYPE 101



TYPE 102
SAME AS TYPE 101 EXCEPT AS SHOWN

NOTES

- UNLESS OTHERWISE SPECIFIED AND/OR INDICATED: DIMENSIONS ARE TO FACE OF VIEW SHOWN AND AUTOMATICALLY ROUNDED BY COMPUTER FOR INSPECTION (SEE MATH MODEL FOR PRECISE DIMENSIONS). FOR ALL OTHER DIMENSIONS NOT SHOWN BUT REQUIRED FOR TOOL BUILD, SEE MATH MODEL FOR PRECISE TOOL PATH DATA.
- WHEN PARTS ARE SHIPPED THEY MUST BE PACKED IN PLASTIC BAGS OR SHIPPING CONTAINERS MUST BE LINED WITH PLASTIC LINERS. BAGS OR LINERS MUST BE SEALED TO AVOID ENTRY OF FOREIGN MATTER.
- SEALING CODE 3 - DESIGN WILL PASS SALT FOG AND IMMERSION TEST AFTER CONDITIONING AS SPECIFIED IN ESA-644 (WEATHER-PACK), ESA-710 (METRI-PACK), ESA-650 (UNDERHOOD MICRO-PACK), C-4006 (WORLD CONNECTOR), ETC WHEN MATED TO MATING PART OR EQUIVALENT
- THIS PART ACCEPTS THE FOLLOWING COMPONENTS OR EQUIVALENT: CAVITIES TO ACCEPT 12047680 TERMINAL.
- FOR LEAD LENGTH CALCULATIONS, DISTANCE FROM MATING END OF CONNECTOR TO FRONT END OF CABLE CORE IS 10.15/7.05.
- FOR PART NUMBERS WITH ADHESIVE, USE PM003510 OR ADHESIVE APPROVED BY MATERIALS ENGINEERING TO GLUE CONNECTOR SEAL TO CONNECTOR.



PART NO. WITH ADHESIVE	REV	N/P	STATUS	PART NO. WITHOUT ADHESIVE	REV	N/P	STATUS	TYPE	CONNECTOR	CONNECTOR SEAL	CABLE SEAL & COLOR
12186689	BI	-	-	15452173	01	-	-	102	12065286	15439078	12065285 - RED
				12186827	AI	-	-	101	12065286	12186821	12110072 - TAN
				12162226	CI	-	-	101	12162225	12052893	12078089 - PURPLE
				12110192	BI	-	-	101	12065286	12052893	12110072 - TAN
				12078090	CI	-	-	101	12065286	12052893	12078089 - PURPLE
				12065287	BI	-	-	101	12065286	12052893	12065285 - RED

FROM	TO	DIMENSIONAL RANGE (MM)	CHART ET
0	20	> 0	1
20	30	> 20	2
30	70	> 30	3
70	100	> 70	4
100	150	> 100	5
150	200	> 150	6
200	250	> 200	7
250	300	> 250	8
300	400	> 300	9

DELPHI
DELPHI PACKARD ELECTRIC SYSTEMS
WARREN, OH

OR	DATE
APVD1 J. REEVES	21DEB7
APVD2 T. MUDREY	05JABB
APVD3 R. CANNATTI	06JABB
APVD4	

MATERIAL: SEE DRAWING

DRAWING NAME: TAXI ASM CONN 3 F M/P 150

DRAWING NUMBER: 12078088

SIZE: A0 SCALE: 5:1 FRAME NO: 1 OF 1 SHEET NO: 1 OF 1 REV: 01