

1217149-1 ✓ ACTIVE

FASTON | FASTON 187

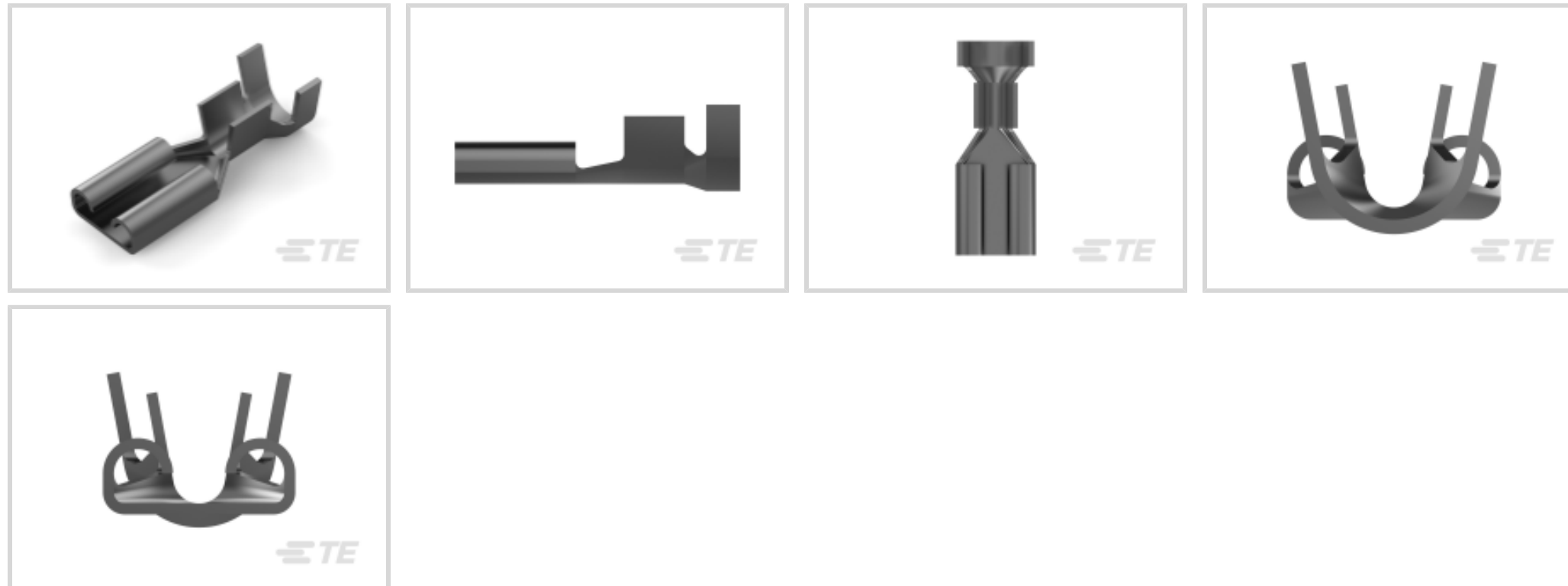
TE Internal #: 1217149-1

Quick Disconnects, Receptacle, 18 – 14 AWG Wire Size, .75 – 2.5 mm² Wire Size, Mating Tab Width .187 in [4.75 mm], Straight, Brass, FASTON 187

[View on TE.com >](#)



Terminals & Splices > Quick Disconnects



Quick Disconnect Terminal Type: **Receptacle**

Wire Size: .75 – 2.5 mm²

Mating Tab Width: 4.75 mm [.187 in]

Mating Tab Thickness: .51 mm [.02 in]

Features

Product Type Features

Terminates To	Wire & Cable
Wire/Cable Type	Regular Wire
Wire Stop	No
Insertion Force	Normal
Sealable	No

Configuration Features

Connection Capacity	Single
---------------------	--------

Contact Features

Quick Disconnect Terminal Type	Receptacle
Mating Tab Width	4.75 mm [.187 in]
Mating Tab Thickness	.51 mm [.02 in]
Terminal Orientation	Straight
Contact Base Material	Brass
Terminal Plating Material	Tin
Crimp Type	F-Crimp



Barrel Type	Open
-------------	------

Mechanical Attachment

Mating Retention Type	Dimple
-----------------------	--------

Wire Insulation Support	With
-------------------------	------

Dimensions

Accepts Wire Insulation Diameter Range	2.79 – 4.06 mm [.11 – .16 in]
--	-------------------------------

Receptacle Terminal Stock Thickness	.3 mm [.012 in]
-------------------------------------	-----------------

Overall Length	14.99 mm [.6 in]
----------------	------------------

Wire Size	.75 – 2.5 mm ²
-----------	---------------------------

Usage Conditions

Insulation Option	Uninsulated
-------------------	-------------

Operating Temperature Range	-40 – 110 °C [-40 – 230 °F]
-----------------------------	-----------------------------

Industry Standards

CSA Certified	Yes
---------------	-----

UL Rating	Listed
-----------	--------

Packaging Features

Packaging Quantity	20000
--------------------	-------

Packaging Method	Strip/Reel
------------------	------------

Other

Line	Premier
------	---------

Product Compliance

[For compliance documentation, visit the product page on TE.com>](#)

EU RoHS Directive 2011/65/EU	Compliant
------------------------------	-----------

EU ELV Directive 2000/53/EC	Compliant
-----------------------------	-----------

China RoHS 2 Directive MIIT Order No 32, 2016	No Restricted Materials Above Threshold
---	---

EU REACH Regulation (EC) No. 1907/2006	Current ECHA Candidate List: JAN 2022 (223) Candidate List Declared Against: JAN 2022 (223) Does not contain REACH SVHC
--	---

Halogen Content	Low Halogen - Br, Cl, F, I < 900 ppm per homogenous material. Also BFR/CFR/PVC Free
-----------------	---



Solder Process Capability

Not applicable for solder process capability

Product Compliance Disclaimer

This information is provided based on reasonable inquiry of our suppliers and represents our current actual knowledge based on the information they provided. This information is subject to change. The part numbers that TE has identified as EU RoHS compliant have a maximum concentration of 0.1% by weight in homogenous materials for lead, hexavalent chromium, mercury, PBB, PBDE, DBP, BBP, DEHP, DIBP, and 0.01% for cadmium, or qualify for an exemption to these limits as defined in the Annexes of Directive 2011/65/EU (RoHS2). Finished electrical and electronic equipment products will be CE marked as required by Directive 2011/65/EU. Components may not be CE marked. Additionally, the part numbers that TE has identified as EU ELV compliant have a maximum concentration of 0.1% by weight in homogenous materials for lead, hexavalent chromium, and mercury, and 0.01% for cadmium, or qualify for an exemption to these limits as defined in the Annexes of Directive 2000/53/EC (ELV). Regarding the REACH Regulation, the information TE provides on SVHC in articles for this part number is based on the latest European Chemicals Agency (ECHA) 'Guidance on requirements for substances in articles' posted at this URL: <https://echa.europa.eu/guidance-documents/guidance-on-reach>

Compatible Parts



TE Part # 42197-2
205 FASTON REC 22-18 AWG TPBR



TE Part # 180436-2
110 FASTON,REC.,26-18 AWG,TPBR



TE Part # 2-2150420-1
OCEAN_2.0_APPLICATOR-E-090F180F



TE Part # 2-2150420-2
OCEAN_2.0_APPLICATOR-E-090F180F



TE Part # 2150420-1
OCEAN_2.0_APPLICATOR-E-090F180F



TE Part # 2150420-2
OCEAN_2.0_APPLICATOR-E-090F180F



TE Part # 7-2150420-1
OCEAN_2.0_APPLICATOR-E-090F180F



TE Part # 7-2150420-2
OCEAN_2.0_APPLICATOR-E-090F180F



KIT
TE Part # 7-2150420-7
OCEAN_2.0_SPARE_PART_KIT-090F180F



TE Part # 881624-7
187 FASTON REC 17-14 AWG TPBR



TE Part # 60674-1
205 FASTON REC 26-22 AWG TPBR

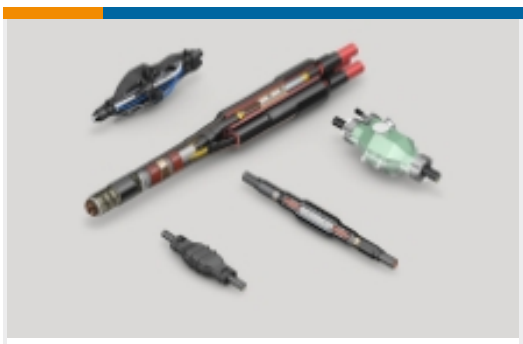
Also in the Series | **FASTON 187**



Crimp Terminal Housings(41)



Insertion & Extraction Tools(1)



Joints & Splices(1)



PCB Terminals(48)

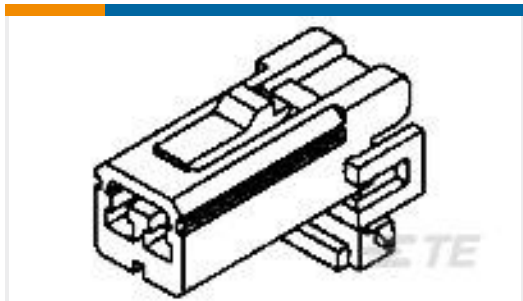


Quick Disconnects(214)

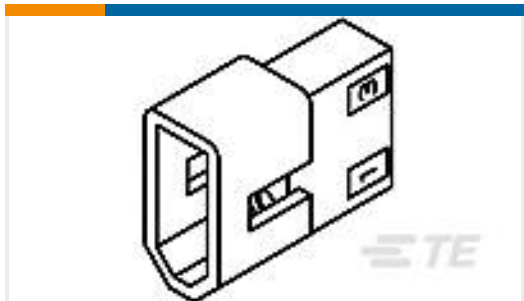


Splices(1)

Customers Also Bought



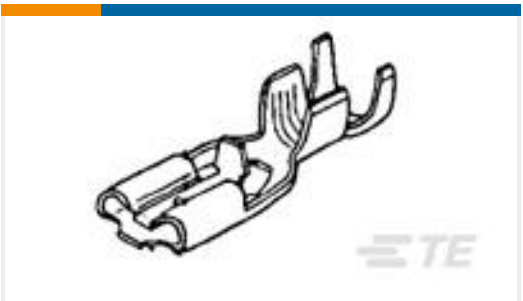
TE Part #174463-2
070 MCL 2P P B



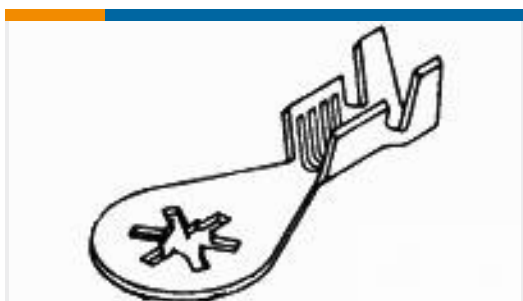
TE Part #770340-1
02P .062 COMM P&S PLUG



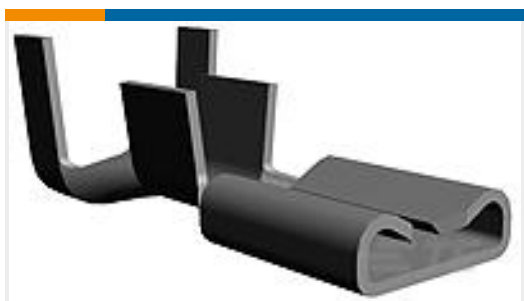
TE Part #2-34124-1
TERMINAL,SOLIS R 16-14 1/4



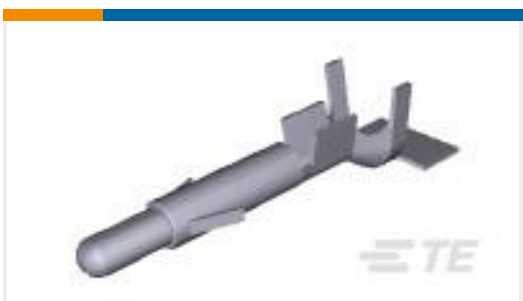
TE Part #170332-1
PL 187 RECEPTACLE 18-14 AWG PTPBR



TE Part #61794-1
RING 18-14 AWG TPST



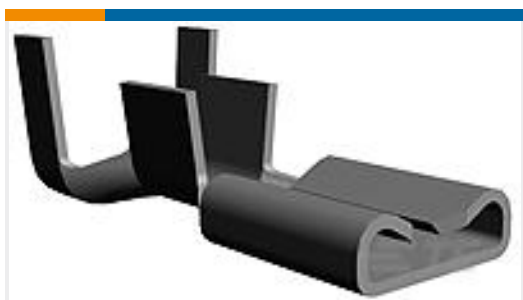
TE Part #42660-2
250 FASTON REC 18-14 AWG TPBR



TE Part #350700-1
UMNL SPLIT PIN PTPBR



TE Part #2-34567-1
TERMINAL,SOLIS R 16-14HD 10



TE Part #60742-2
187 FASTON REC 18-14 AWG TPBR

Documents



Product Drawings

[187 FASTON,REC.,18-14 AWG,TPBR](#)

English

CAD Files

Customer View Model

[ENG_CVM_CVM_1217149-1_E.2d_dxf.zip](#)

English

3D PDF

3D

Customer View Model

[ENG_CVM_CVM_1217149-1_E.3d_igs.zip](#)

English

Customer View Model

[ENG_CVM_CVM_1217149-1_E.3d_stp.zip](#)

English

By downloading the CAD file I accept and agree to the [Terms and Conditions](#) of use.

Datasheets & Catalog Pages

[82004 FASTON Terminals \(Insulated and Uninsulated\) Catalog - FASTON Receptacles Section](#)

English

Product Specifications

[Application Specification](#)

English

[Wire Preparation And Crimp Inspection Guide](#)

English

Product Environmental Compliance

[MD_1217149-1_11272017441_dmtec](#)

English

[MD_1217149-1_11272017441_dmtec](#)

English

Agency Approvals

[CSA Certificate](#)

English

[CSA Certificate](#)

English