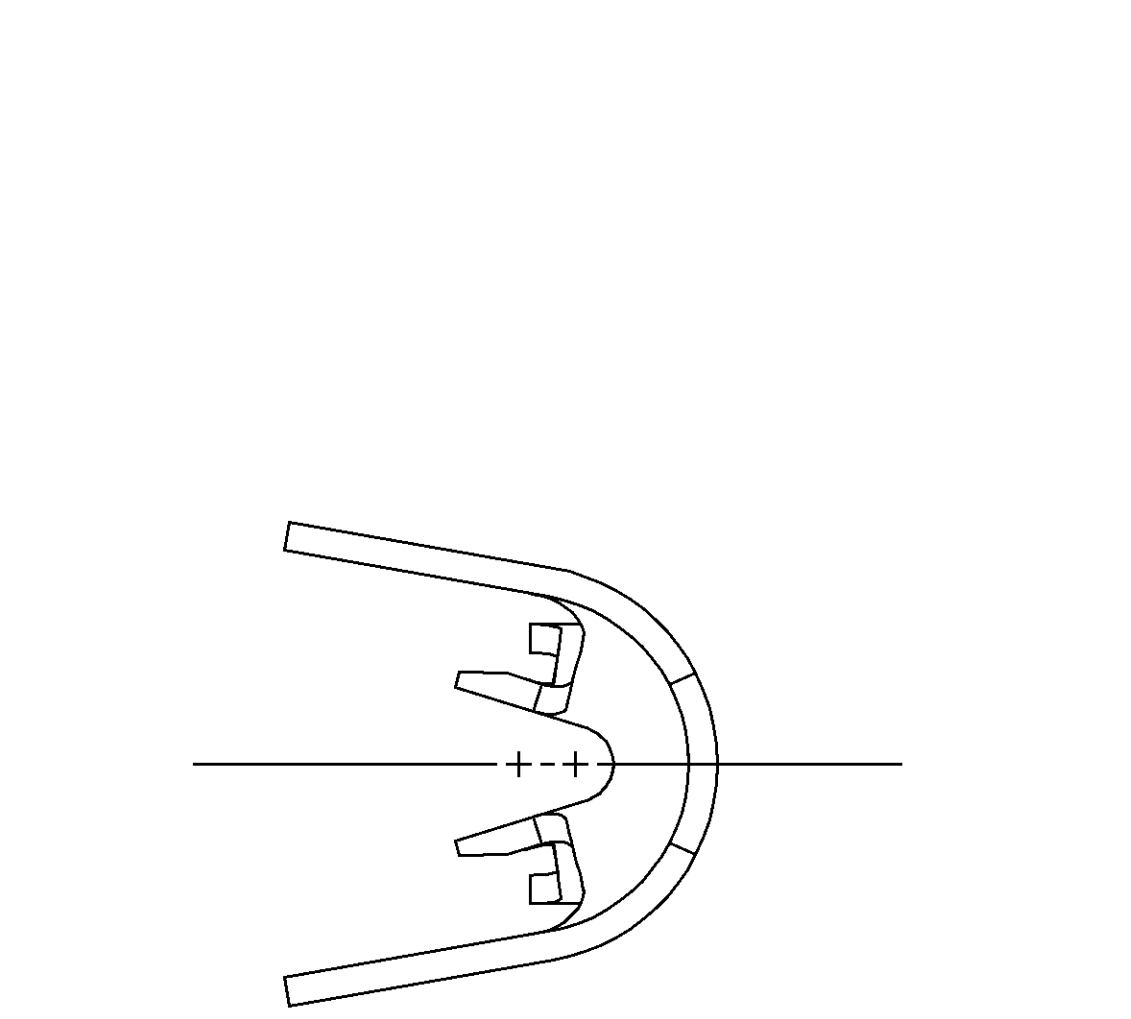
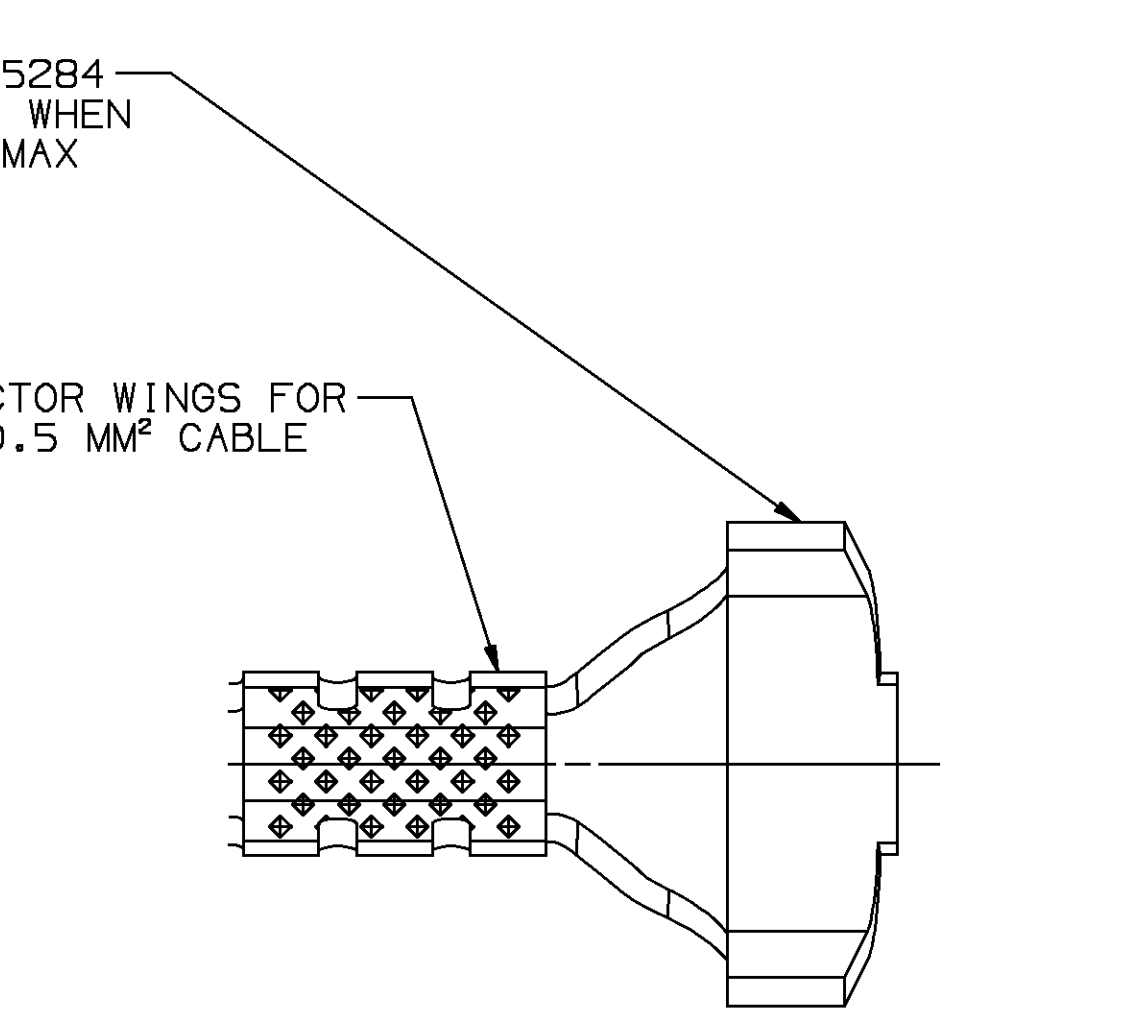
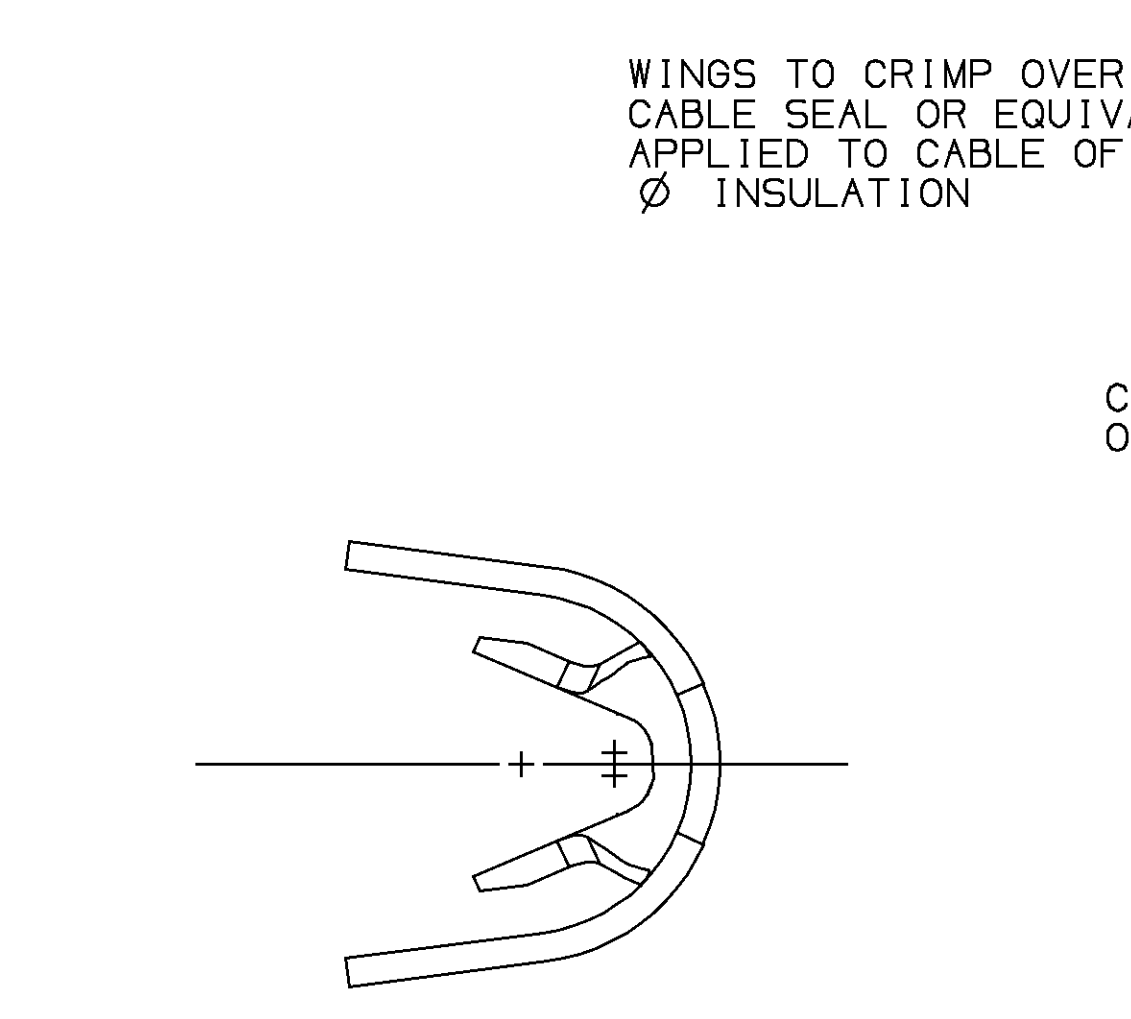
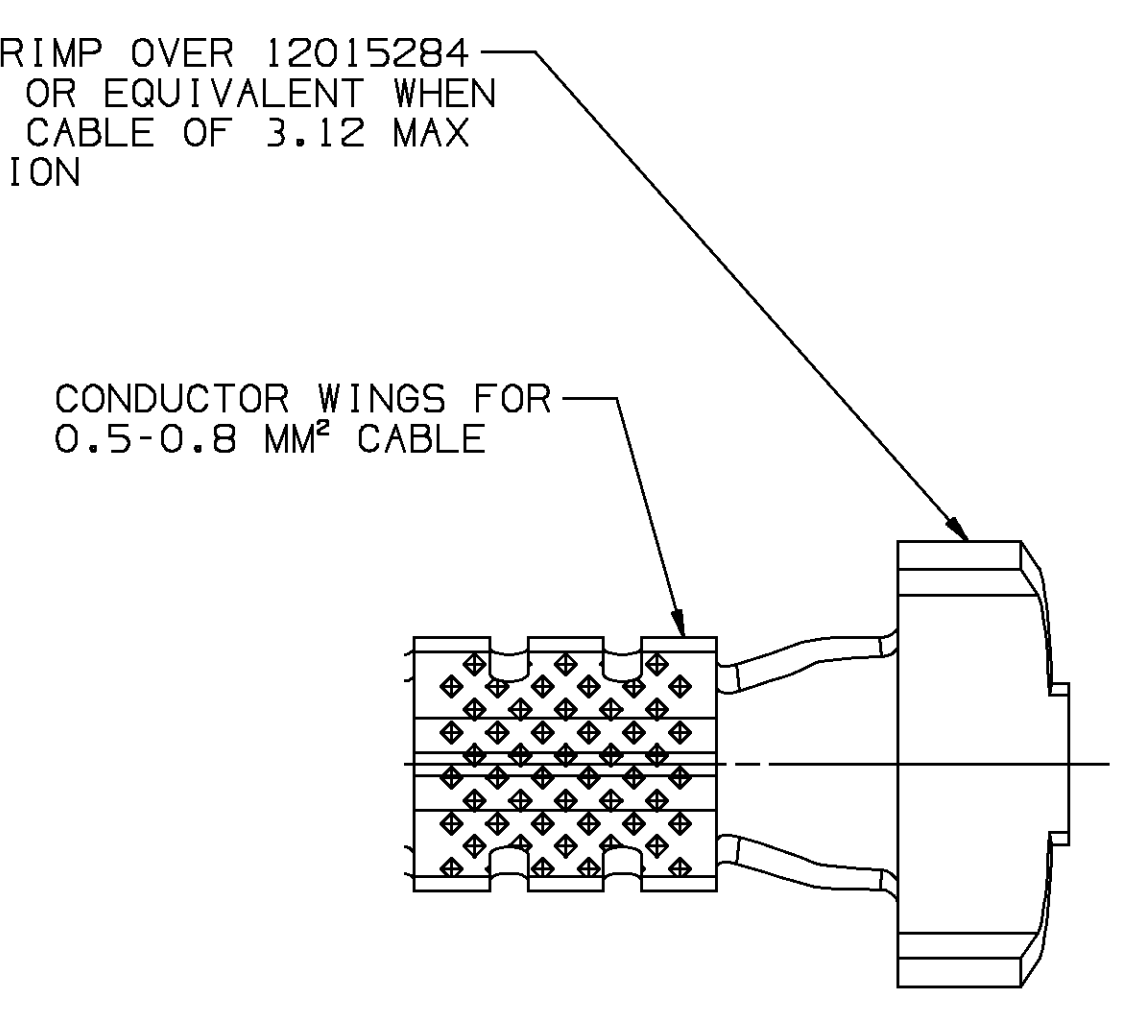
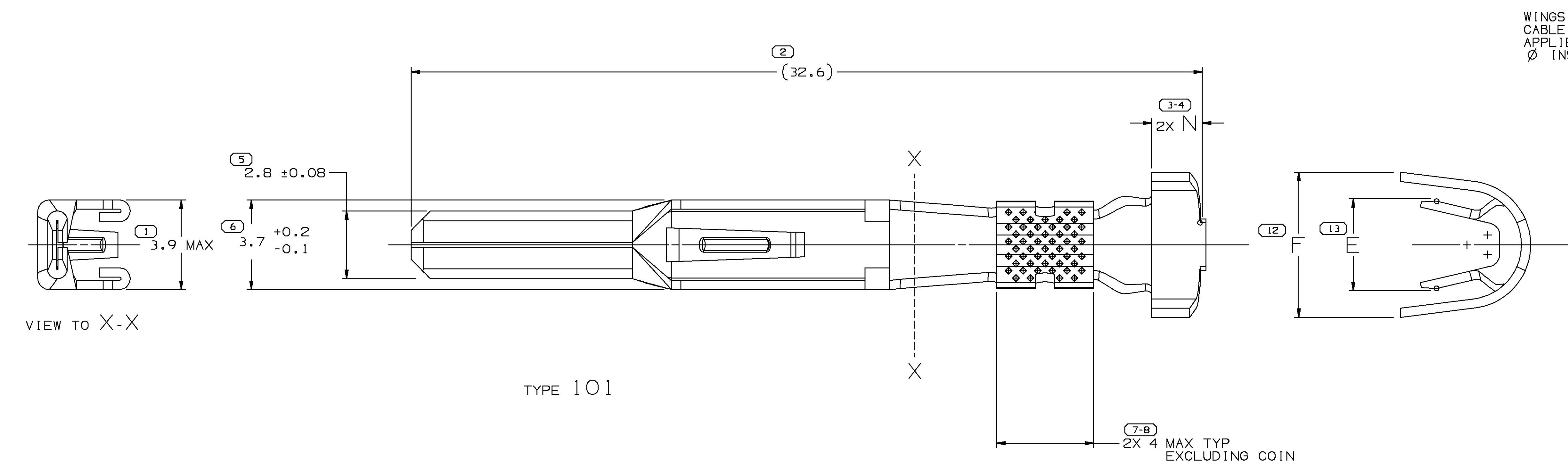


SYMBOL DEFINITION		MISSING NUMBERS	
THE NUMBER INSIDE THE SYMBOL	TOTAL NO. OF SYMBOLS IN DRAWING		
CORRESPONDS TO THE NUMBER ON THE INSPECTION REPORT FOR THIS DRAWING/PART NUMBER	LAST NO. USED	17	20

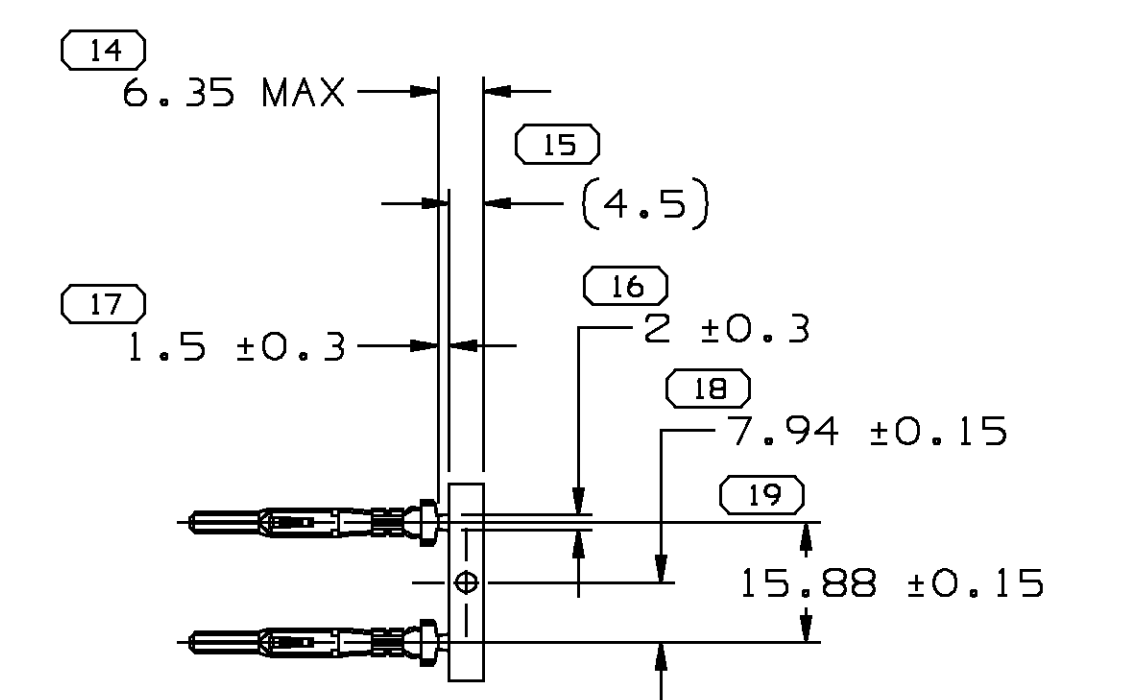
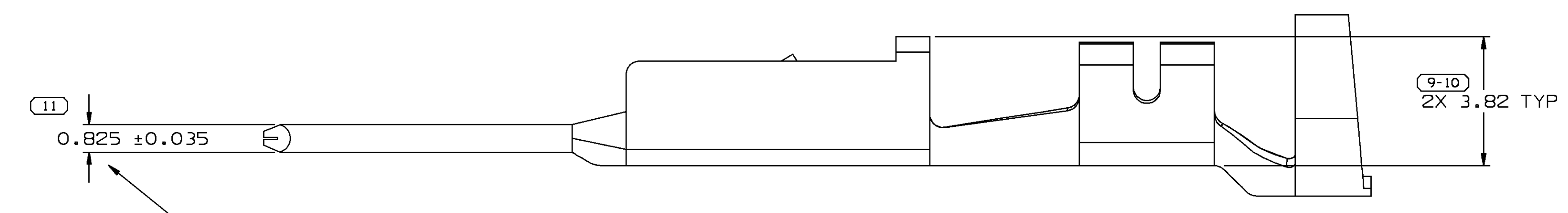
DWG STATUS				REVISION HISTORY			
DATE	STG	REV	CHG	BY	ZONE	DATE	REV
18JUN99	R	001	-	-		12048159, 12124977	-



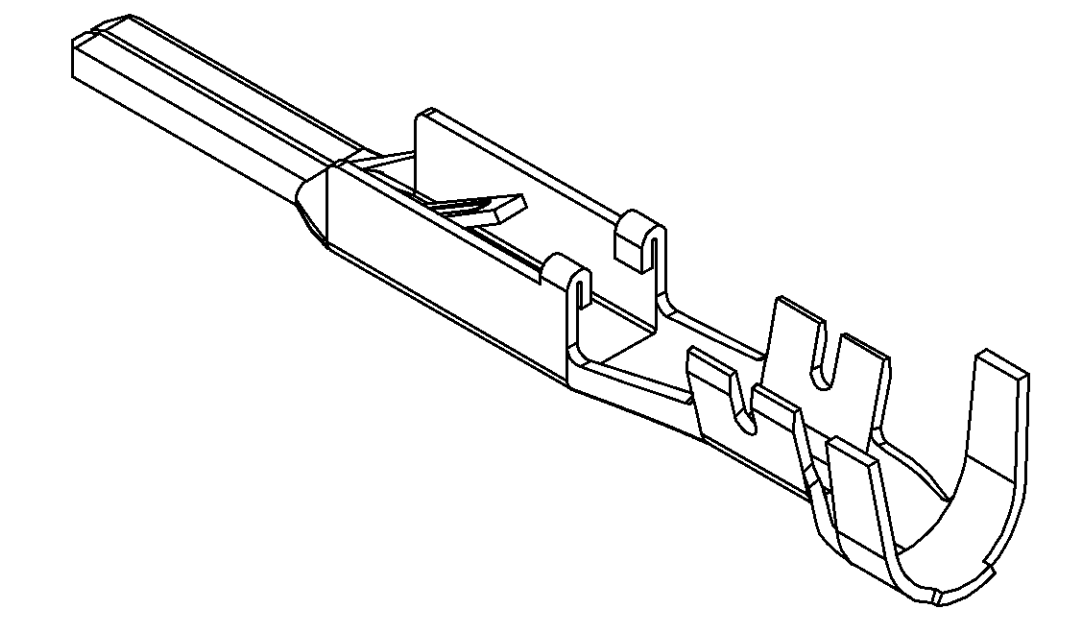
TYPE 101

TYPE 102  
SAME AS TYPE 101  
EXCEPT AS SHOWN

TYPE 103  
SAME AS TYPE 101  
EXCEPT AS SHOWN



CARRIER STRIP VIEW  
SCALE 1:1



VIEW SCALE DOES NOT REFLECT ACTUAL PART SIZE

- NOTES
- UNLESS OTHERWISE SPECIFIED AND/OR INDICATED: DIMENSIONS ARE TO FACE OF VIEW SHOWN AND AUTOMATICALLY ROUNDED BY COMPUTER FOR INSPECTION. (SEE MATH MODEL FOR PRECISE DIMENSIONS.) FOR ALL OTHER DIMENSIONS NOT SHOWN BUT REQUIRED FOR TOOL BUILD, SEE MATH MODEL FOR PRECISE TOOL PATH DATA.
  - MATING TERMINAL 12077411, 12015054 OR EQUIVALENT.

<b>DELPHI</b> Automotive Systems		DIMENSIONAL RANGE (MM) CHART D	
MATERIAL SPEC SEE CHART		FROM 0 TO 12	> 12
PART DRAWING		TOLERANCE UNLESS OTHERWISE SPECIFIED	
CODE NUMBER 6900	DWG DATE 18JUN99	SCALE 10:1	D
DC SPEC	STYLE	VOLUME cm³	
PART GEOMETRY 3D SOLID		UNLESS OTHERWISE SPECIFIED:	
UNLESS OTHERWISE SPECIFIED:		PERFECT FORM REQUIRED FOR FEATURES OF SIZE AT MMC. TRUE POSITION TOLERANCES AND RELATED DATUMS APPLY AT CONDITION OF SIZE INDICATED IN FEATURE CONTROL FRAME. ALL OTHER GEOMETRIC TOLERANCES AND RELATED DATUMS APPLY PPS. SEPARATE TRUE POSITION CALLOUTS MAY BE GAGED SEPARATELY, REGARDLESS OF DATUM REFERENCE.	
COPY OF MATH DATA DO NOT SCALE		REFERENCE 001,701	DATE 18JUN99
METRIC UNLESS OTHERWISE SPECIFIED, ALL DIMENSIONS ARE IN MILLIMETERS		DR APVD1 A. ARZATE	30JUN99
THIRD ANGLE PROJECTION		APVD2 A. USALDE O	
DRAWING NAME TERM M M/P 280 SLD		APVD3	
FRAME NUMBER 1 of 2		APVD4	
SHEET NUMBER 1 of 1		APVD5	
DRAWING NUMBER 12089387		DWG STATUS R 001 - R	

FRAME NUMBER	SHEET NUMBER	DRAWING NUMBER	DWG STATUS
2 of 2	1 of 1	12089387	R 001 -

PART NO	STG	REV	N/P	STATUS	SPEC	SIZE	SIZE MM²	ID	Ø	TYPE	WING CONST	E	F	N
12129497	R	A	-		P3607336	0.381 X 42.47	2-3	13	2.45-3.8	101	4	6.4	2	
12124977	R	A6	-		P3607336	0.381 X 42.47	0.35-0.5	21	1.3-2.2	103	11	2.45-3.8	2	
12048254	R	D	-		P3607336	0.381 X 42.47	3	12	3.49-3.65	101	1	4.6	2	
12048159	R	B9	-		P3607336	0.381 X 42.47	0.5-0.8	19	2.03-3.12	102	1	3.2	2	
12040559	R	E	-	OBSOLETE	P3607336	0.381 X 42.47	1-2	15	3.13-3.97	101	1	3.6	2	