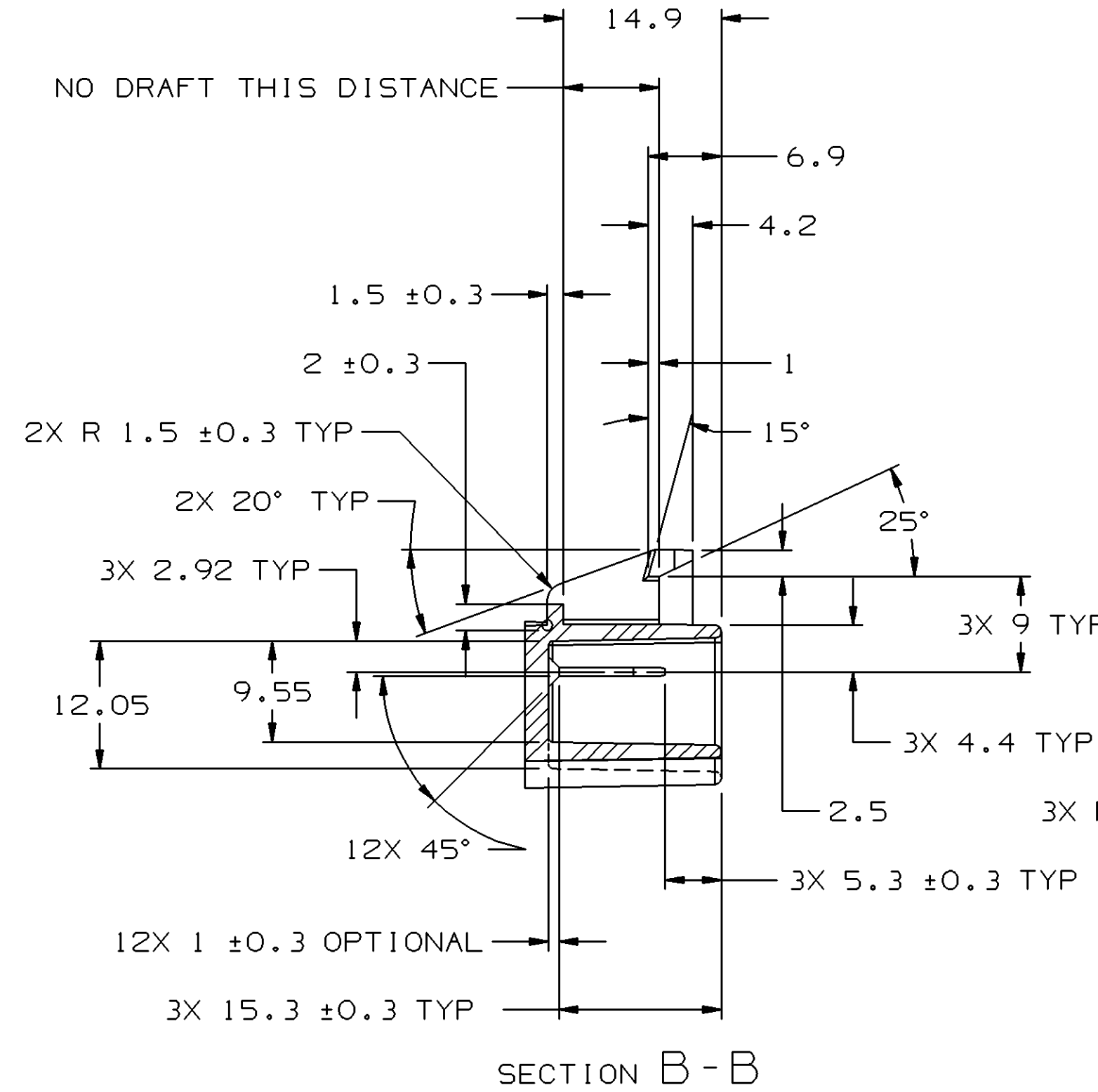
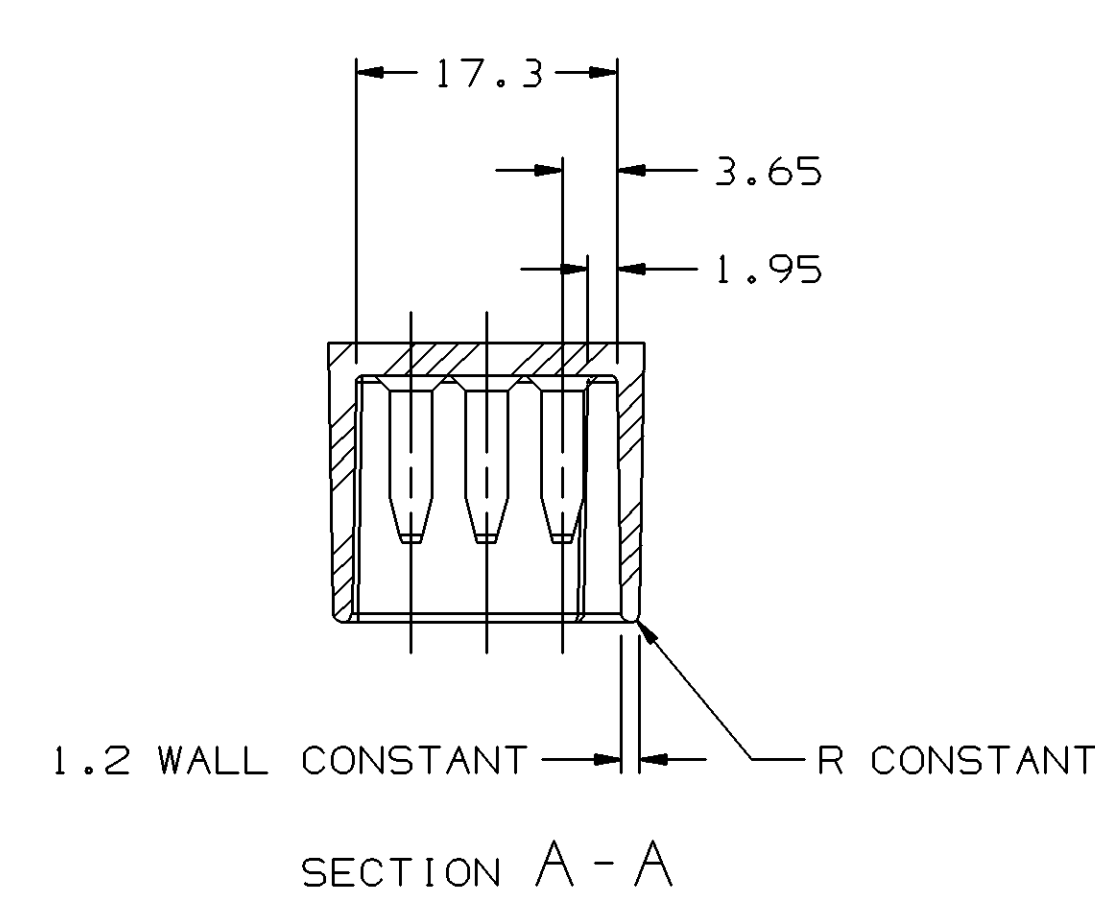
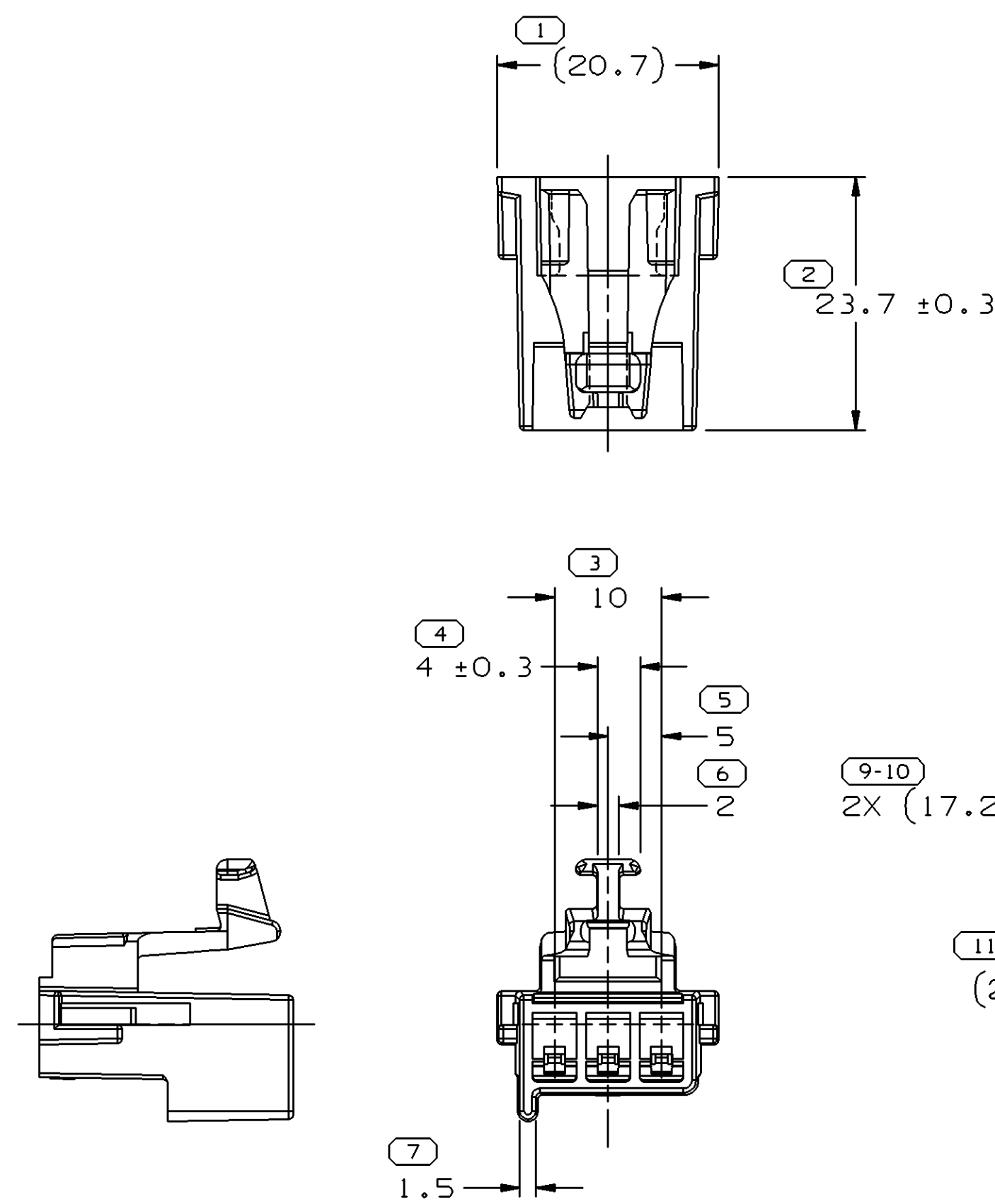


MATERIAL SPECIFICATIONS

RECOMMENDED
BASE METAL - CDA-210, GILDING, EXTRA SPRING TEMPER
PLATING - 0.0050±0.0025 MM THICK TIN

MINIMUMS
ELECTRICAL CONDUCTIVITY - ≥20% IACS AT 20°C. USE OF A MATERIAL WITH CONDUCTIVITY < 20% IACS MUST BE APPROVED BY PACKARD ELECTRIC MATERIALS ENGINEERING.
TENSILE STRENGTH - 407 MPa
PLATING - FOR LOW ENERGY (≤5v) AND NON-PASSENGER COMPARTMENT POWER CIRCUITS, 0.0050±0.0025 MM THICK TIN. FOR MATERIALS CONTAINING 10% OR MORE ZINC, AN UNDERPLATE OF COPPER 0.0050±0.0025 MM THICK IS REQUIRED.

MATING BLADE INFORMATION
 SCALE 8:1



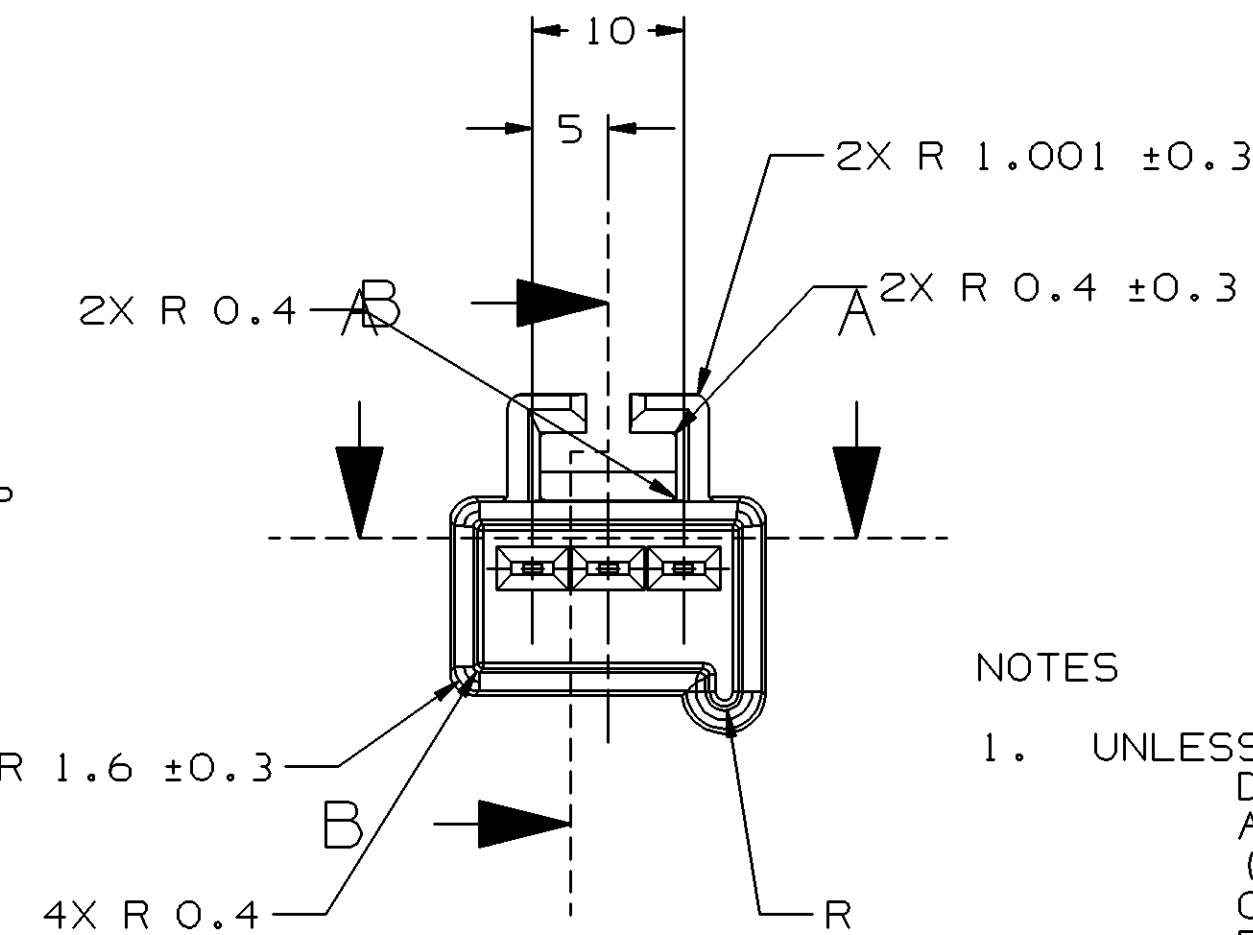
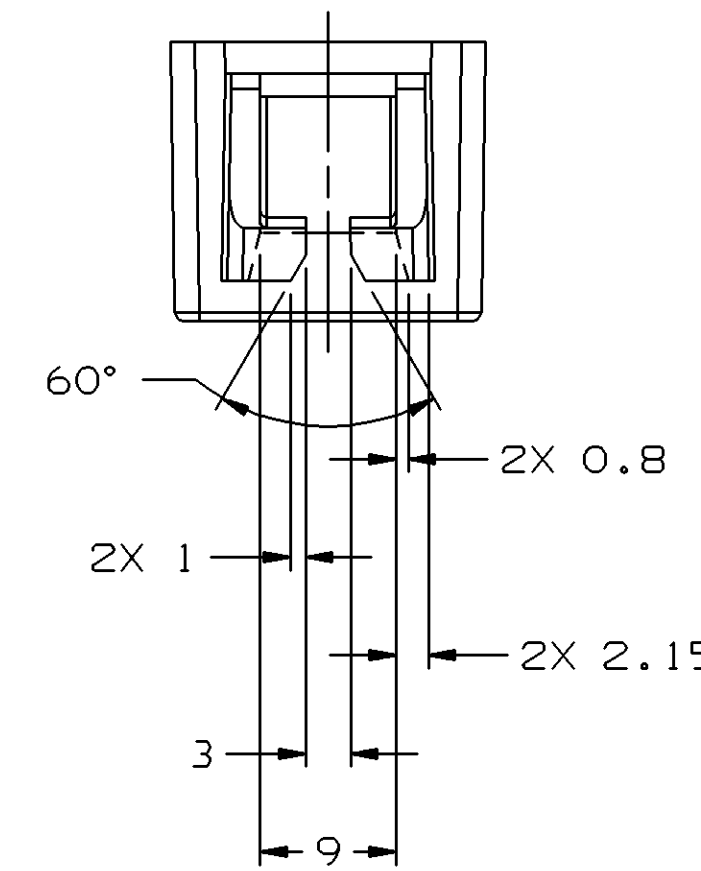
MATING SHROUD INFORMATION

NOTES

- UNLESS OTHERWISE SPECIFIED AND/OR INDICATED: DIMENSIONS ARE TO FACE OF VIEW SHOWN AND AUTOMATICALLY ROUNDED BY COMPUTER FOR INSPECTION. (SEE MATH MODEL FOR PRECISE DIMENSIONS.) FOR ALL OTHER DIMENSIONS NOT SHOWN BUT REQUIRED FOR TOOL BUILD, SEE MATH MODEL FOR PRECISE TOOL PATH DATA.
- MATING COMPONENTS OR EQUIVALENT:
 CONNECTOR 12129490
 TERMINAL 12110842
 MAX. INSULATION CRIMP MUST BE LESS THAN 3.6 HIGH AND 3.8 WIDE
 SECONDARY TERMINAL LOCK 12129491
 MAX CABLE O.D. 3.2
 CONNECTOR POSITION ASSURANCE LOCK 12052834
- SEALING CODE 0 - UNSEALED
- MATERIAL RECYCLING CODE PER ISO 11469. (2.3)X(0.1) CHARACTERS AS SHOWN TO BE LOCATED ON ANY EXTERIOR SURFACE. OPTIONAL CONSTRUCTION TO BE NO MATERIAL RECYCLING CODE.

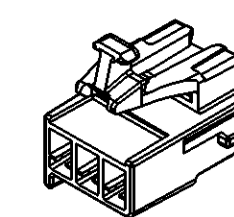
| SYMBOL DEFINITION | | MISSING NUMBERS | |
|--|---------------------------------|-----------------|--|
| THE NUMBER INSIDE THE SYMBOL ○ CORRESPONDS TO THE NUMBER ON THE INSPECTION REPORT FOR THIS DRAWING/PART NUMBER | TOTAL NO. OF SYMBOLS ON DRAWING | 11 | |
| | LAST NO. USED | 12 | |

| DWG STATUS | | | | | ZONE | REVISION HISTORY | | | AUTH | DR | APVD 1 | APVD 2 |
|------------|-----|-----|-----|-----|------|------------------------------------|--|--|--------|-----|--------|--------|
| DATE | STG | REV | N/P | CHG | | | | | | | | |
| 05MY04 | R | C5 | - | - | | REDRAWN AND UPDATED PDM ATTRIBUTES | | | 254627 | ADK | ADK | TM |
| 25JL04 | R | C6 | - | - | | UPDATED PDM ATTRIBUTES | | | 257182 | EES | EES | TM |



NOTES

- UNLESS OTHERWISE SPECIFIED AND/OR INDICATED: DIMENSIONS ARE TO FACE OF VIEW SHOWN AND AUTOMATICALLY ROUNDED BY COMPUTER FOR INSPECTION. (SEE MATH MODEL FOR PRECISE DIMENSIONS.) FOR ALL OTHER DIMENSIONS NOT SHOWN BUT REQUIRED FOR TOOL BUILD, SEE MATH MODEL FOR PRECISE TOOL PATH DATA.
- RECOMMENDED MATERIAL - GLASS FILLED NYLON OR POLYESTER.
- WHEN USING THIS INFORMATION FOR A NEW DESIGN, REQUEST THE LATEST COPY OF THIS PRINT FROM PACKARD ELECTRIC DIVISION.



| DIMENSIONAL RANGE (MM) | | CHART | E |
|--------------------------------------|----|-------|---------------------------|
| FROM | 0 | > 20 | > 30 |
| TO | 20 | 30 | 70 |
| TOLERANCE UNLESS OTHERWISE SPECIFIED | | ±0.15 | ±0.2 ±0.3 ±0.4 ±0.5 |
| ANGULAR TOLERANCE | | ±2° | |

| DWG TYPE | | PART DRAWING | |
|--|-------|------------------------|---|
| STYLE | | DISTR CODE | D |
| VOLUME (CM³) | 2.167 | | |
| ROUTING | 6900 | | |
| UNLESS OTHERWISE SPECIFIED | | | |
| THIS DOCUMENT IS IN ACCORDANCE WITH ASME Y14.5M-1994 AS AMENDED BY THE GM GLOBAL DIMENSIONING AND TOLERANCING ADDENDUM - 1997. ALL GEOMETRIC TOLERANCES AND RELATED DATUMS APPLY RFS. RULE #1 PERFECT FORM AT MMC DOES NOT APPLY WHEN RELATIONSHIP BETWEEN FEATURES IS ESTABLISHED BY ORIENTATION OR LOCATION TOLERANCES. SEPARATE POSITION CALLOUTS MAY BE GAGED SEPARATELY, REGARDLESS OF DATUM REFERENCE. ALL DIMENSIONS ARE IN MILLIMETERS | | | |
| DIMENSIONS ENCLOSED IN () INDICATE REFERENCE DIMENSIONS AND NO TOLERANCE LIMITS ARE ESTABLISHED | | THIRD ANGLE PROJECTION | |
| DO NOT SCALE | | DO NOT SCALE | |
| USE MATH DATA | | USE MATH DATA | |

| DELPHI | | | |
|--|--------------|----------|----------|
| DELPHI PACKARD ELECTRIC SYSTEMS WARREN, OH | | | |
| DR | | DATE | |
| APVD1 | BRIAN K. DEW | 14N091 | |
| APVD2 | BRIAN K. DEW | 14N091 | |
| APVD3 | JOSEPH LYTLE | 19N091 | |
| APVD4 | | | |
| APVD5 | | | |
| SUBSTANCES OF CONCERN AND RECYCLED CONTENT PER DELPHI 10949001 | | | |
| MATERIAL M3592001 PA66 HS 1M BLK | | | |
| DRAWING NAME CONN 3 F M/P 280 BLK FLXLK | | | |
| DRAWING NUMBER 12129489 | | | |
| SIZE | SCALE | FRAME NO | SHEET NO |
| A1 | 2:1 | 1 OF 1 | 1 OF 1 |
| | | STG | REV |
| | | R | C6 |