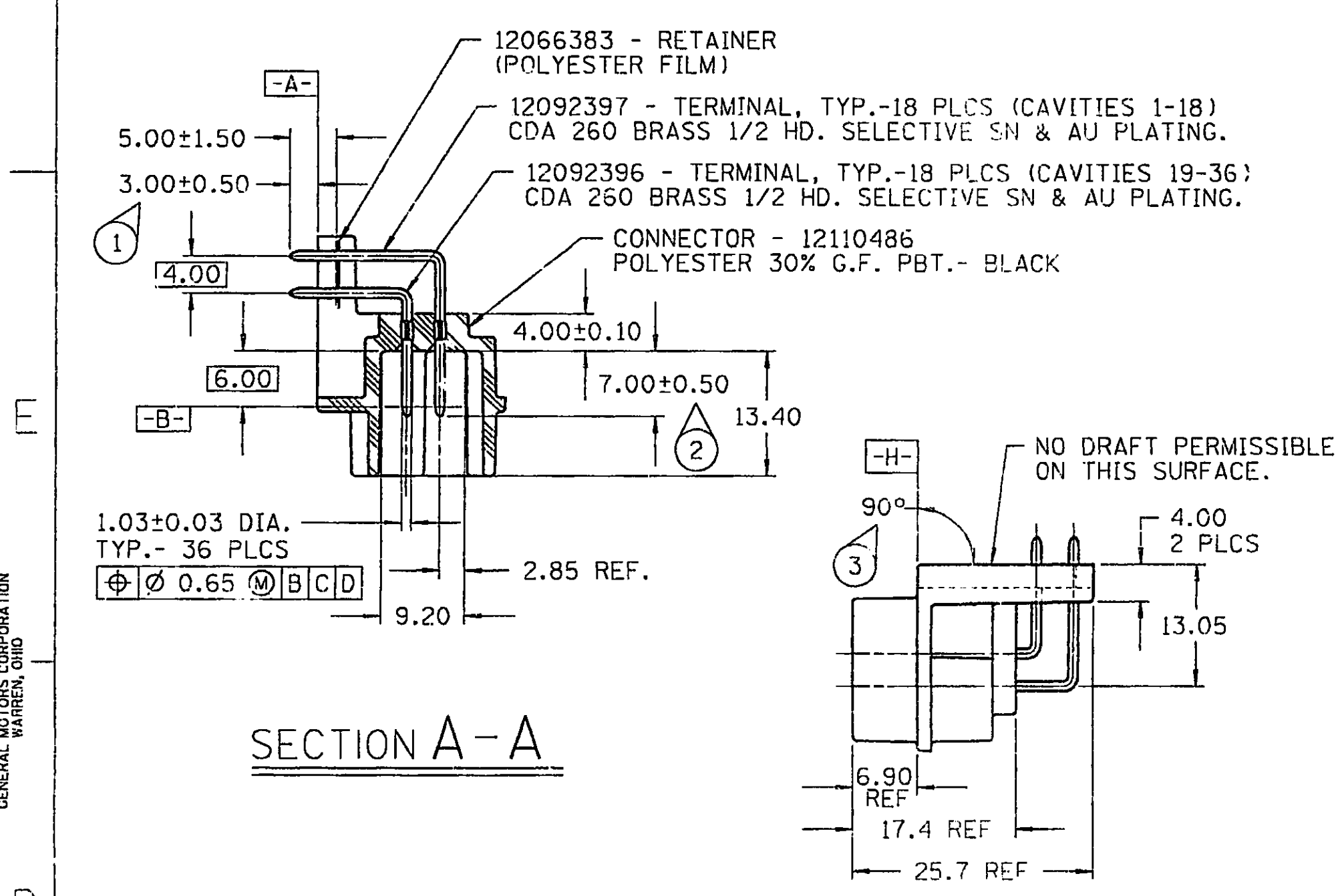
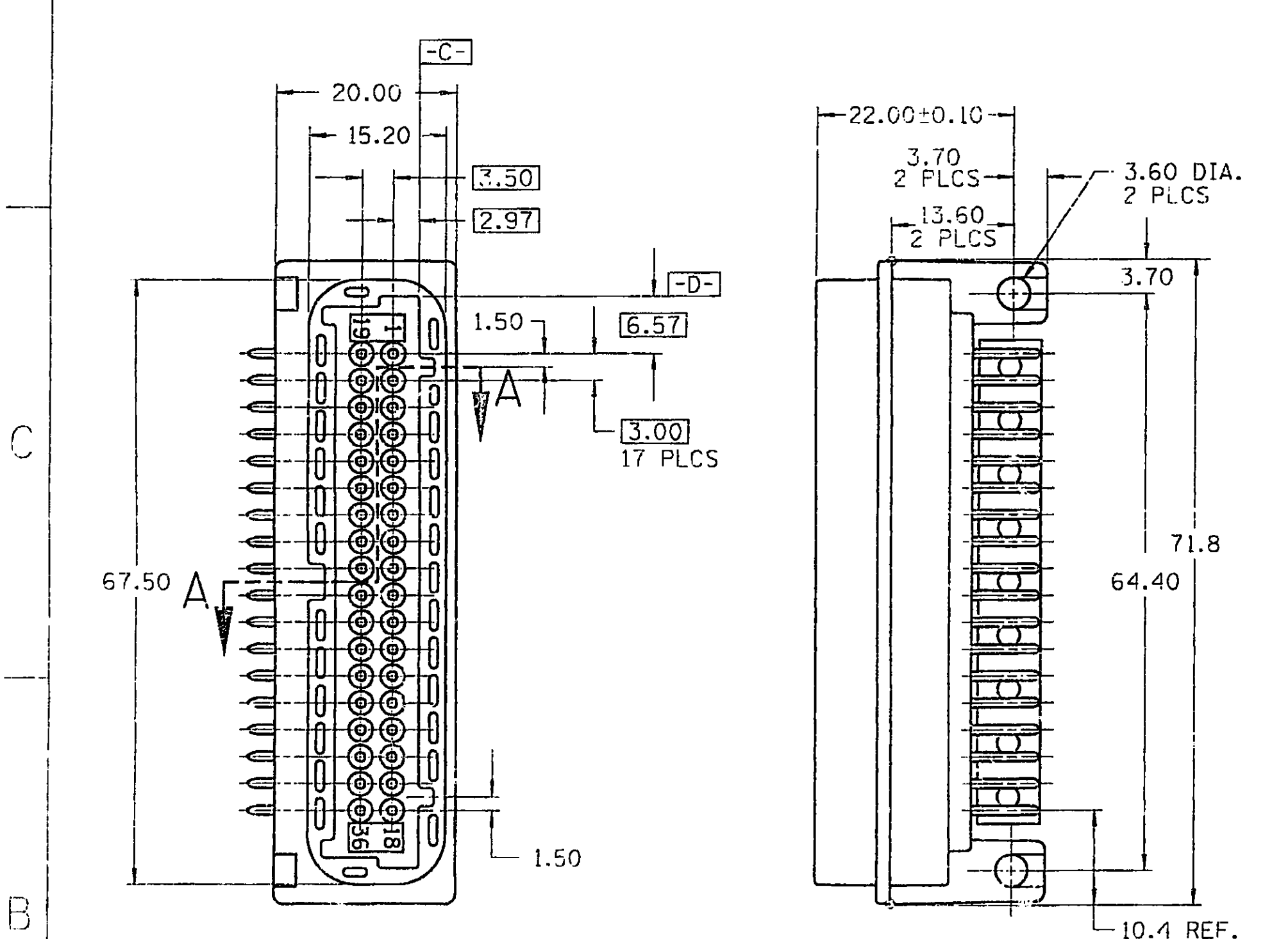


NOTES - 1. RECOMMENDED BOARD THICKNESS IS 1.50 MM.  
2. SOLDER - THRU HOLE RECOMMENDED.

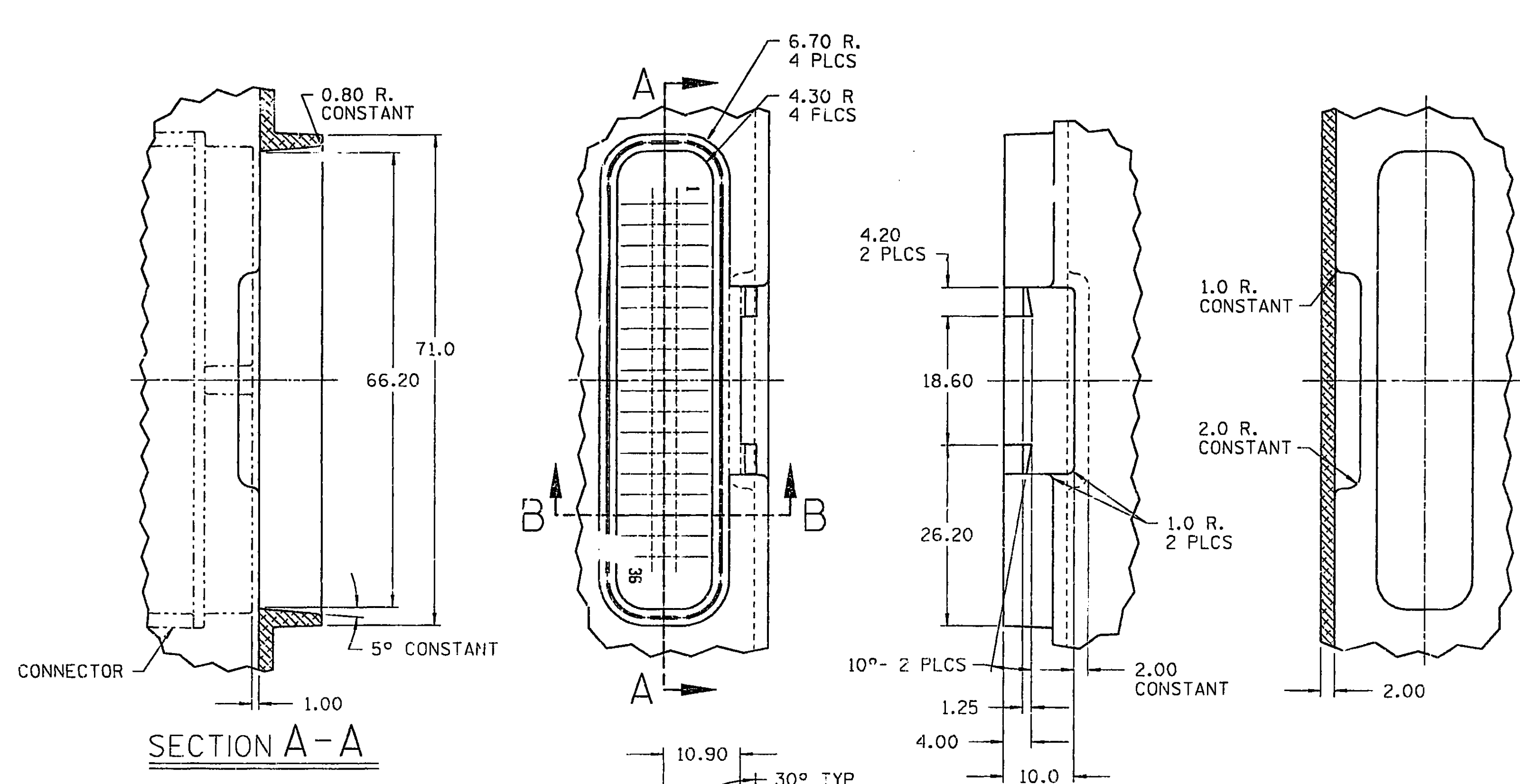
**MATING CIRCUIT BOARD**  
CONNECTOR MATING SIDE  
SCALE 2:1



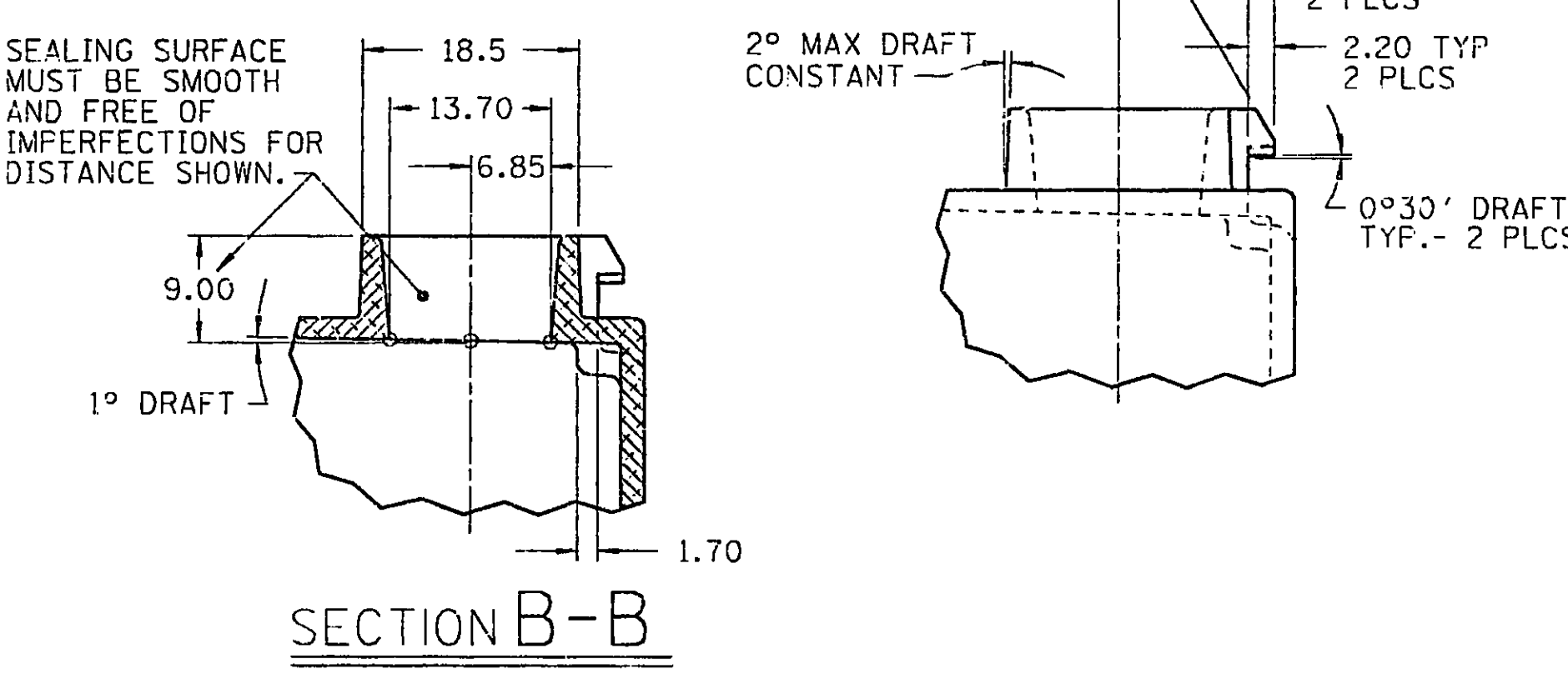
**SECTION A-A**



PART NO 1211 0485



**SECTION A-A**



**SECTION B-B**

NOTES - 1. ALL RADII 0.40, UNLESS OTHERWISE SPECIFIED.  
2. DIMENSIONS ARE TO FACE OF VIEW SHOWN, UNLESS OTHERWISE INDICATED.  
3. WHEN USING THIS INFORMATION FOR A NEW DESIGN REQUEST THE LATEST COPY OF THIS PRINT FROM PACKARD ELECTRIC DIVISION.

**MATING INFORMATION**  
SCALE 2:1  
**CAST SEALING SHROUD**

- NOTES - 1. DIMENSIONS ARE TO FACE OF VIEW SHOWN, UNLESS OTHERWISE INDICATED.  
2. PARTS SHOULD BE PLACED IN CLEAN PLASTIC TUBS OR PANS LINED WITH POLYETHYLENE BAGS, WHERE PRACTICAL, DURING PROCESSING AND STORAGE. IN ALL CASES, IN-PROCESS HANDLING MUST OCCUR WITH DUE CARE SO AS TO INSURE PED CUSTOMERS RECEIVE CLEAN, UNDAMAGED PARTS. PARTS MUST BE PACKAGED IN A MANNER THAT INSURES TERMINAL PIN LOCATION AFTER PROCESSING. IF SOFT PADDING IS REQUIRED IT MUST BE OF A PASSIVATED MATERIAL.  
3. HEADER TO ACCEPT 12110488 RETAINER AND 12110487 CONNECTOR, OR EQUIVALENTS.  
4. THIS ASM. TO ACCEPT 12110299 C.P.A. (CONNECTOR POSITION ASSURANCE) LOCK, OR EQUIVALENT.  
5. SEALING CODE - 3.  
6. PIN SOLDERABILITY - SEE ESO-1503  
7. PARTS MUST MEET SPECIFICATION C-4006, CLASS I, WITH THE FOLLOWING QUALIFICATIONS:  
\* HIGH TEMP. STORAGE - CONDITION C  
\* THERMAL CYCLING - CONDITION D  
\* MECHANICAL SHOCK - CONDITION B  
\* DUST - CONDITION E1  
\* CURRENT CYCLING - CONDITION A (10 AMPS)  
\* CHEMICAL RESISTANCE - CONDITION A - (1 MIN.) FOR FOLLOWING:  
- DIESEL FUEL (#2)  
- BRAKE FLUID  
- AUTOMATIC TRANSMISSION FLUID  
- ENGINE COOLANT  
- WINDSHIELD WASHER SOLVENT  
- GASOLINE  
- POWER STEERING FLUID  
- OIL (#3)  
- GASOHOL  
8. PART MEETS REQUIREMENTS OF CAHIEP DES CHARGES 3605019 (RENAULT).  
9. Ⓞ DENOTES DIMENSIONS AND CHARACTERISTICS THAT ARE IMPORTANT TO THE FUNCTION AND/OR PROCESSING OF THE PART. IT DOES NOT NECESSARILY INDICATE AN SPC DIMENSION. THIS DRAWING HAS 3 SNOWCONES.

DATE	SYM	REVISION RECORD	AUTH	DR	EX
06FE90	A	PE DRAWING CREATED	900012	RLF	-
14WR90	A1	REVISED MATING INFO. MATION	133807	RLF	JRM
25SE90	B	REVISED TERMINAL LEAD-IN CHAMFER, ADDED DATUM "F".	136280	RLF	RLF
06DE90	C	REVISED GRAPHICS OF 12110486 CONN. WAS PEO24160 & RELEASED	900005	JC	JC
16A91	C1	ADDED 22.00±0.10 DIM	143098	TS	JC
19MY92	C2	REDRAWN FROM "D" SIZE PER CUSTOMER REQUEST	149213	RVD	BKD
14JL92	C3	ADDED NOTE #8	150083	BAR	BAR
17AU92	D	REMOVED 1.50 & REVISED MOUNTING FEET	151216	BAR	BAR
24FE93	D1	O.C. WAS C-5129	930004	HH	HH
03NC93	D2	REVISED NOTES #3, #4 & #5 AND ADDED "CAST SEALING SHROUD"	157172	FEB	FEB

PART NO 1211 0485

PART NO 1211 0485

**WARNING**  
GEOMETRY MAY NOT BE DRAWN TO SCALE

THE FOLLOWING ITEMS APPLY UNLESS OTHERWISE SPECIFIED:  
FOR FEATURES OF SIZE, PERFECTION, STRAIGHTNESS NOT REQUIRED AT MIC. FOR DIAMETRAL FEATURES, ROUNDNESS MUST BE WITHIN THE MIC. AND LOC. (BASED MATERIAL CONDITION). DIMENSIONS, TIR, PROFILE TOLERANCES, AND RELATED DATIVE DEPTH PLANE SURFACES, APPLY AT MIC. OTHER GEOMETRIC TOLERANCES, AND RELATED DIMENSIONS, APPLY TO SEPARATE TIR, PROFILE TOLERANCES, AND RELATED DIMENSIONS, REGARDLESS OF DATUM REFERENCE.

GEOMETRIC DRAWING SYMBOLS:	SYMBOL	DESCRIPTION
—	FLAT	FLAT
—	STRAIGHT	STRAIGHT
—	SQUARE	SQUARE
—	PARALLEL	PARALLEL
—	PERPENDICULAR	PERPENDICULAR
—	MAXIMUM MATERIAL CONDITION (MMC)	MAXIMUM MATERIAL CONDITION (MMC)
—	DIAMETER	DIAMETER
—	ROUND	ROUND
—	THREE POSITION	THREE POSITION
—	PROFILE OF A SURFACE	PROFILE OF A SURFACE
—	ANGULAR	ANGULAR
—	CYLINDRICAL	CYLINDRICAL
—	SYMMETRICAL	SYMMETRICAL
—	FILE OF A LIT.	FILE OF A LIT.
—	PROFILE OF A LIT.	PROFILE OF A LIT.
—	REGARDLESS OF FEATURE SIZE (RFS)	REGARDLESS OF FEATURE SIZE (RFS)

PACKARD ELECTRIC DIVISION  
GENERAL MOTORS CORPORATION  
WARREN, OHIO

FILE: ASM 2/09/93/12110486.dwg  
SPEC: 82-0003-1/MS 09/98

THIRD ANGLE PROJECTION

**METRIC**  
DIMENSIONS ARE IN MILLIMETERS UNLESS OTHERWISE SPECIFIED

CODE NO 6900  
TOLERANCE UNLESS OTHERWISE SPECIFIED:  
ONE PLACE 0.3  
TWO PLACE 0.13  
ANGULAR 2°

OC -C-5171  
DATE 06FE90  
SCALE 2:1

DR R.L. FINK  
DATE 06FE90

EST. NO. 12092436  
DATE 07DE90

REFERENCE NO. APPR C.G. REIDER  
DATE 07DE90  
APPR R.J. POLEHONK  
DATE 07DE90

MINI-MATERIAL SPEC SEE NOTES

NAME ASM CONN 36M MIC/P 100W

PART NUMBER 1211 0485

SIZE A0