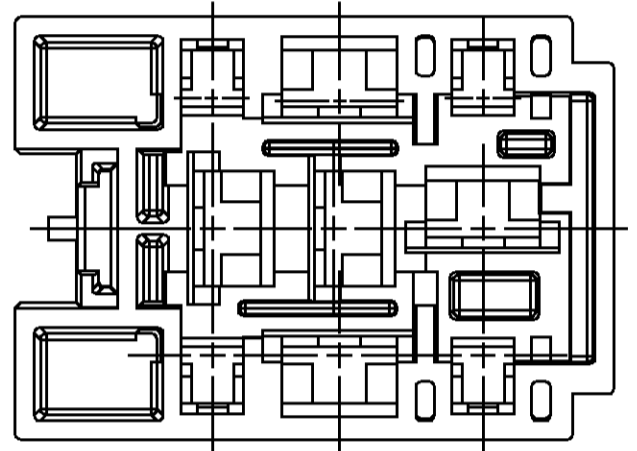
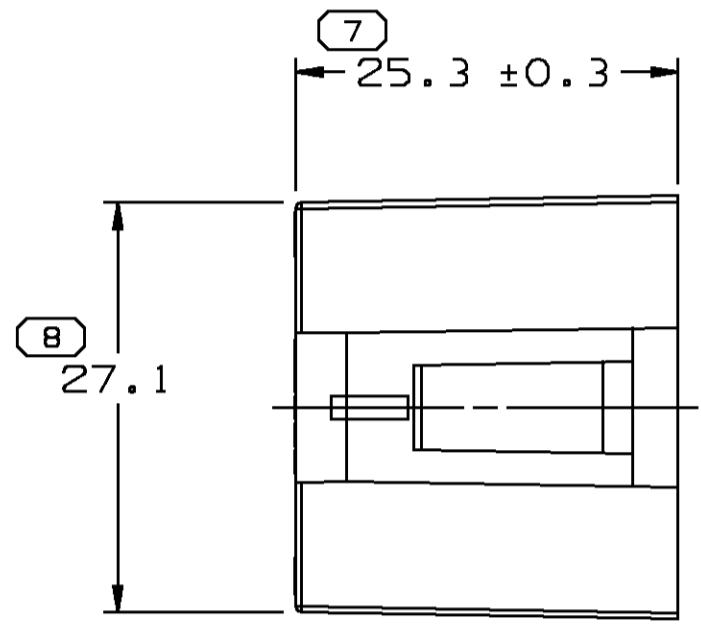
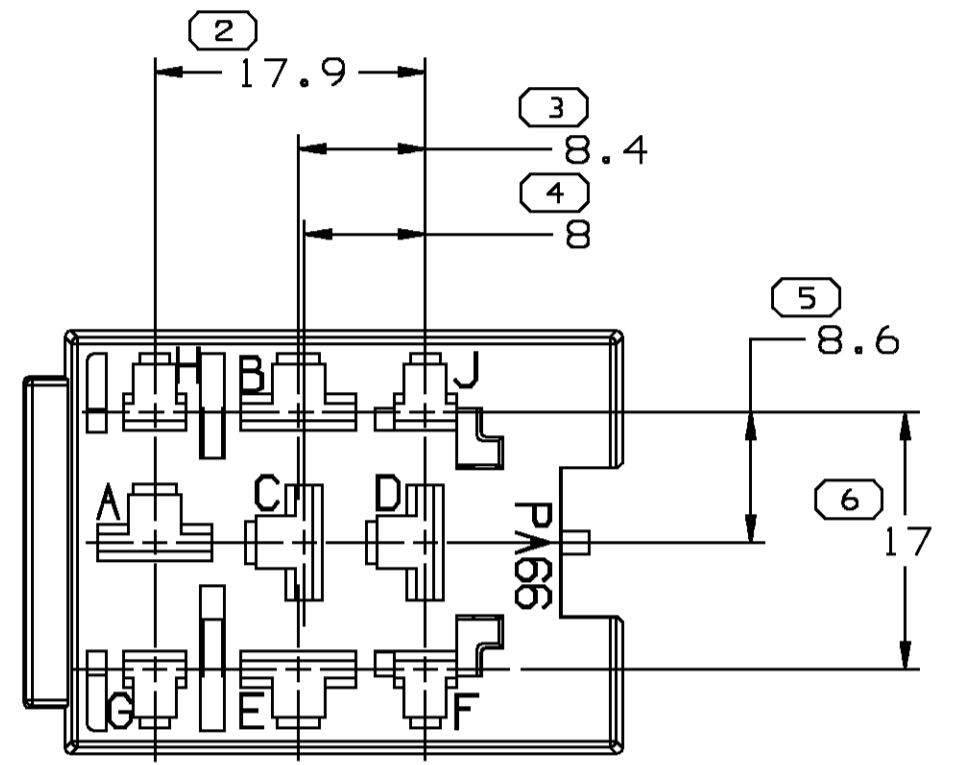
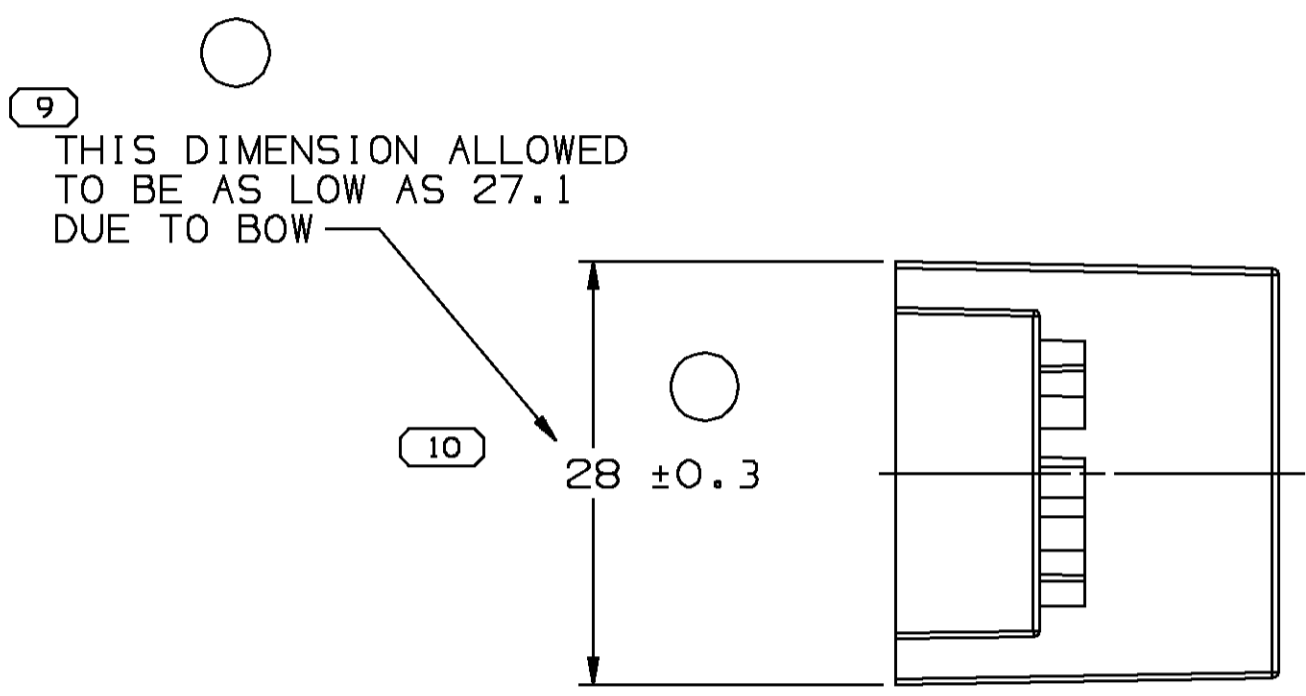
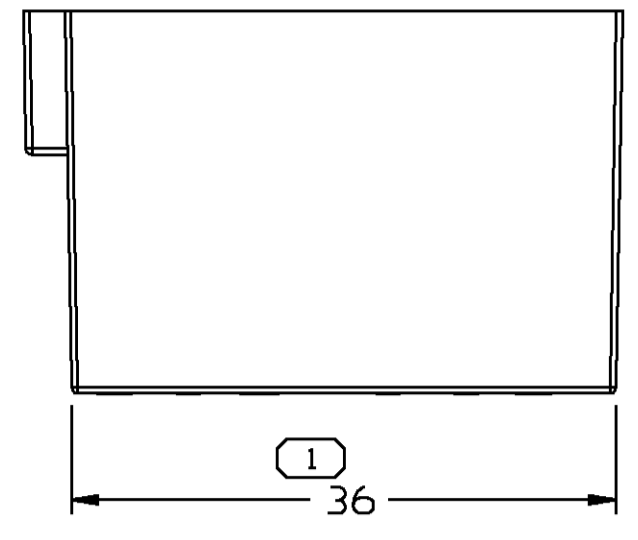
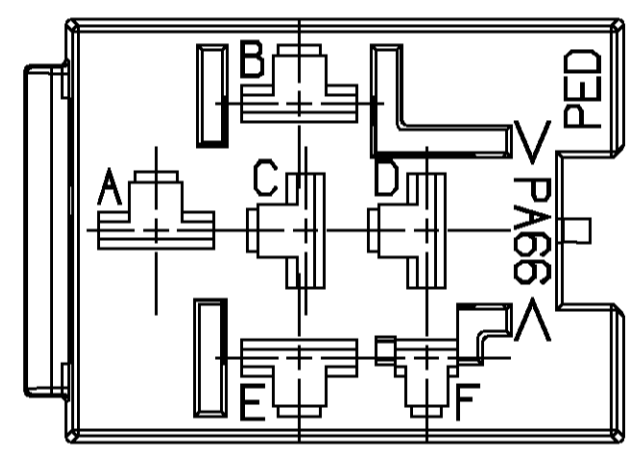


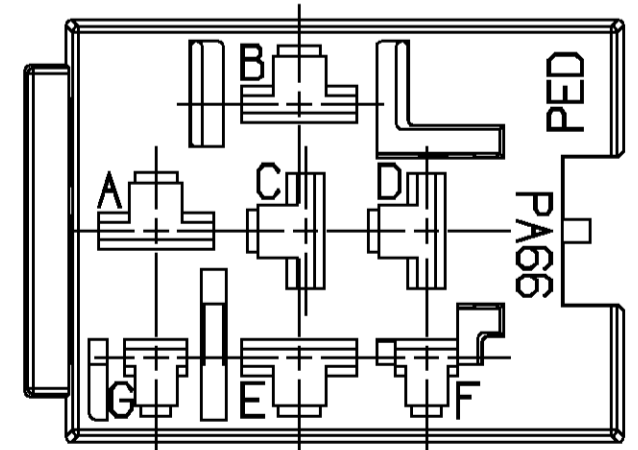
| SYMBOL DEFINITION | | | MISSING NUMBERS | | DWG STATUS | | | ZONE | REVISION HISTORY | | | AUTH | DR | CK | APVD |
|-------------------|-----|-----|-----------------|-----|------------|--|--|------|------------------|---|--------|------|-----|----|------|
| DATE | STG | REV | CHG | N/P | | | | | | | | | | | |
| 20SE99 | R | 001 | - | - | | | | | | 15339007-RELEASED | 990005 | AMG | RMM | AL | |
| 20SE99 | R | 002 | - | - | | | | | | 12110047 & 15304642 WERE SEPARATE DRAWINGS | 196607 | AMG | RMM | AL | |
| 30N099 | R | 003 | - | - | | | | | | MATERIAL WAS R0071784 PA66 HS 1M-GRA MD FOR PART NO 15339007. | 198017 | TMN | TMN | AL | |
| 03FE00 | R | 004 | - | - | | | | | | 15339007-REVISED CAVITY CENTERLINE -2 PLCS | 198574 | END | END | AL | |
| 17JL00 | R | 005 | - | - | | | | | | ADDED DIM 28+/-0.3 AND BOW NOTE | 201853 | JIB | JIB | JH | |



TYPE 103



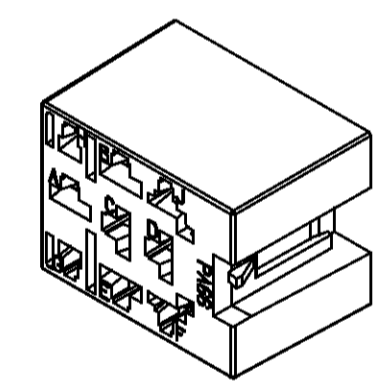
TYPE 101
SAME AS TYPE 103
EXCEPT AS SHOWN



TYPE 102
SAME AS TYPE 103
EXCEPT AS SHOWN

NOTES

- UNLESS OTHERWISE SPECIFIED AND/OR INDICATED: DIMENSIONS ARE TO FACE OF VIEW SHOWN AND AUTOMATICALLY ROUNDED BY COMPUTER FOR INSPECTION. (SEE MATH MODEL FOR PRECISE DIMENSIONS.) FOR ALL OTHER DIMENSIONS NOT SHOWN BUT REQUIRED FOR TOOL BUILD, SEE MATH MODEL FOR PRECISE TOOL PATH DATA.
- MATING COMPONENTS OR EQUIVALENT:
SECONDARY TERMINAL LOCK 12110048
CUSTOMER PART KOSTAL 98405020610 OR LEAR 824859 RELAY.
PART TO ACCEPT CLIP 12110298.
ONLY FOR TYPE 101;
RELAY - SIEMENS *898532
CAVITIES A,B,C,D & E ACCEPT TERMINAL 12015838.
CAVITY F ACCEPT 12015823 TERMINAL.



| DELPHI Automotive Systems | | | | | | | | | | | | | | | | | | | | | | | | | | | | | | | | | |
|---|--------------------|--|----------------------------|------------------------|--|--|--|---------|------|----|------|------|------|---|----|----|----|-----|--------------------------------------|--|--|--|--|-------|--|------|------|------|------------------------|--|--|--|--|
| MATERIAL SPEC SEE CHART | | <table border="1"> <thead> <tr> <th colspan="4">DIMENSIONAL RANGE (MM)</th> <th>CHART E</th> </tr> <tr> <th>FROM</th> <th>TO</th> <th>> 20</th> <th>> 30</th> <th>> 70</th> </tr> </thead> <tbody> <tr> <td>0</td> <td>20</td> <td>30</td> <td>70</td> <td>100</td> </tr> <tr> <td colspan="5">TOLERANCE UNLESS OTHERWISE SPECIFIED</td> </tr> <tr> <td colspan="2">±0.15</td> <td>±0.2</td> <td>±0.3</td> <td>±0.4</td> </tr> <tr> <td colspan="5">ANGULAR TOLERANCE ± 2°</td> </tr> </tbody> </table> | | DIMENSIONAL RANGE (MM) | | | | CHART E | FROM | TO | > 20 | > 30 | > 70 | 0 | 20 | 30 | 70 | 100 | TOLERANCE UNLESS OTHERWISE SPECIFIED | | | | | ±0.15 | | ±0.2 | ±0.3 | ±0.4 | ANGULAR TOLERANCE ± 2° | | | | |
| DIMENSIONAL RANGE (MM) | | | | CHART E | | | | | | | | | | | | | | | | | | | | | | | | | | | | | |
| FROM | TO | > 20 | > 30 | > 70 | | | | | | | | | | | | | | | | | | | | | | | | | | | | | |
| 0 | 20 | 30 | 70 | 100 | | | | | | | | | | | | | | | | | | | | | | | | | | | | | |
| TOLERANCE UNLESS OTHERWISE SPECIFIED | | | | | | | | | | | | | | | | | | | | | | | | | | | | | | | | | |
| ±0.15 | | ±0.2 | ±0.3 | ±0.4 | | | | | | | | | | | | | | | | | | | | | | | | | | | | | |
| ANGULAR TOLERANCE ± 2° | | | | | | | | | | | | | | | | | | | | | | | | | | | | | | | | | |
| PART DRAWING | | | | | | | | | | | | | | | | | | | | | | | | | | | | | | | | | |
| CODE NUMBER 6900 | DWG DATE 20SE99 | SCALE 2:1 | D | | | | | | | | | | | | | | | | | | | | | | | | | | | | | | |
| QC SPEC | STYLE | VOLUME cm ³ SEE CHRT | | | | | | | | | | | | | | | | | | | | | | | | | | | | | | | |
| PART GEOMETRY 3D SOLID | | UNLESS OTHERWISE SPECIFIED: PERFECT FORM REQUIRED FOR FEATURES OF SIZE AT MMC. TRUE POSITION TOLERANCES AND RELATED DATUMS APPLY AT CONDITION OF SIZE INDICATED IN FEATURE CONTROL FRAME. ALL OTHER GEOMETRIC TOLERANCES AND RELATED DATUMS APPLY RFS. SEPARATE TRUE POSITION CALLOUTS MAY BE GAGED SEPARATELY, REGARDLESS OF DATUM REFERENCE. | | | | | | | | | | | | | | | | | | | | | | | | | | | | | | | |
| COPY OF MATH DATA DO NOT SCALE | | REFERENCE 001,701 | DATE | | | | | | | | | | | | | | | | | | | | | | | | | | | | | | |
| | | DR APVD1 ANDRES MENDEZ APVD2 R. MOYSEN M. APVD3 AMALA G. LEWIS APVD4 APVD5 | 20SE99 26SE99 110C99 | | | | | | | | | | | | | | | | | | | | | | | | | | | | | | |
| METRIC UNLESS OTHERWISE SPECIFIED, ALL DIMENSIONS ARE IN MILLIMETERS | | THIRD ANGLE PROJECTION | | | | | | | | | | | | | | | | | | | | | | | | | | | | | | | |
| DRAWING NAME TAXI CONN F M/P 280, 630 | | DATE | | | | | | | | | | | | | | | | | | | | | | | | | | | | | | | |
| SHEET NUMBER 1 OF 1 | | DRAWING NUMBER 15355568 | | | | | | | | | | | | | | | | | | | | | | | | | | | | | | | |
| DWG STATUS STG REV N/P R 005 - | | SIZE A1 | | | | | | | | | | | | | | | | | | | | | | | | | | | | | | | |

| PART NO | STG | REV | N/P | STATUS | TYPE | MATERIAL SPECIFICATION AND COLOR | VOLUME |
|----------|-----|-----|-----|--------|------|----------------------------------|--------|
| 15339007 | R | 003 | AA | | 103 | R0071791 PA66 HS 1M-BRN | 10.673 |
| 15304642 | R | A4 | - | | 102 | R0071784 PA66 HS 1M-GRA MD | 10.677 |
| 12110047 | R | E4 | - | | 101 | R0071754 PA66 HS 1M-BLK | 10.616 |

1 PROCESS SENSITIVE DIMENSION
DIMENSIONS ENCLOSED IN () INDICATE REFERENCE DIMENSIONS AND NO TOLERANCE LIMITS ARE ESTABLISHED