

MATERIAL SPECIFICATIONS

RECOMMENDED  
 BASE METAL - CDA-210, GILDING, EXTRA SPRING TEMPER  
 PLATING - 0.0050 ±0.0025 MM THK TIN

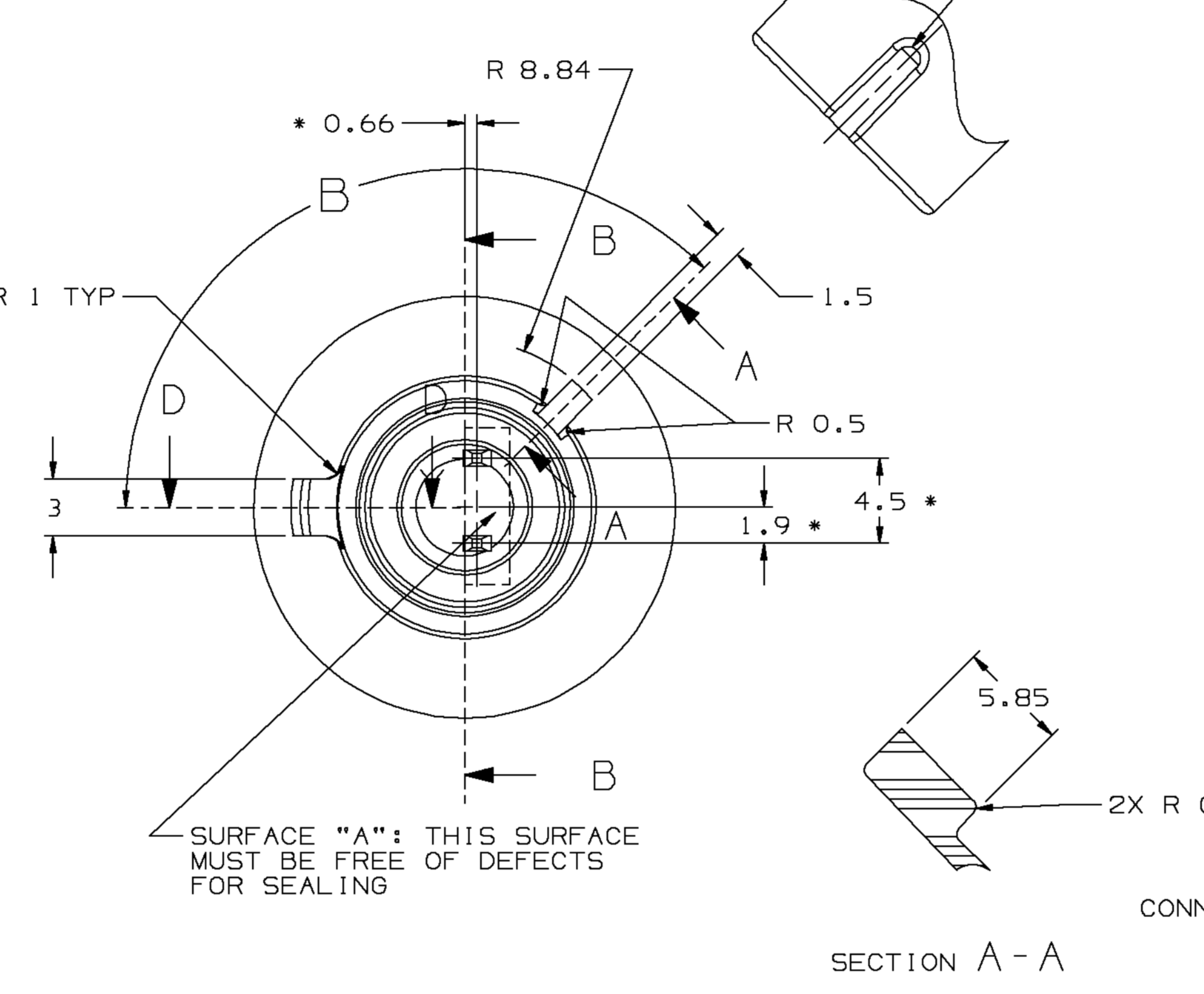
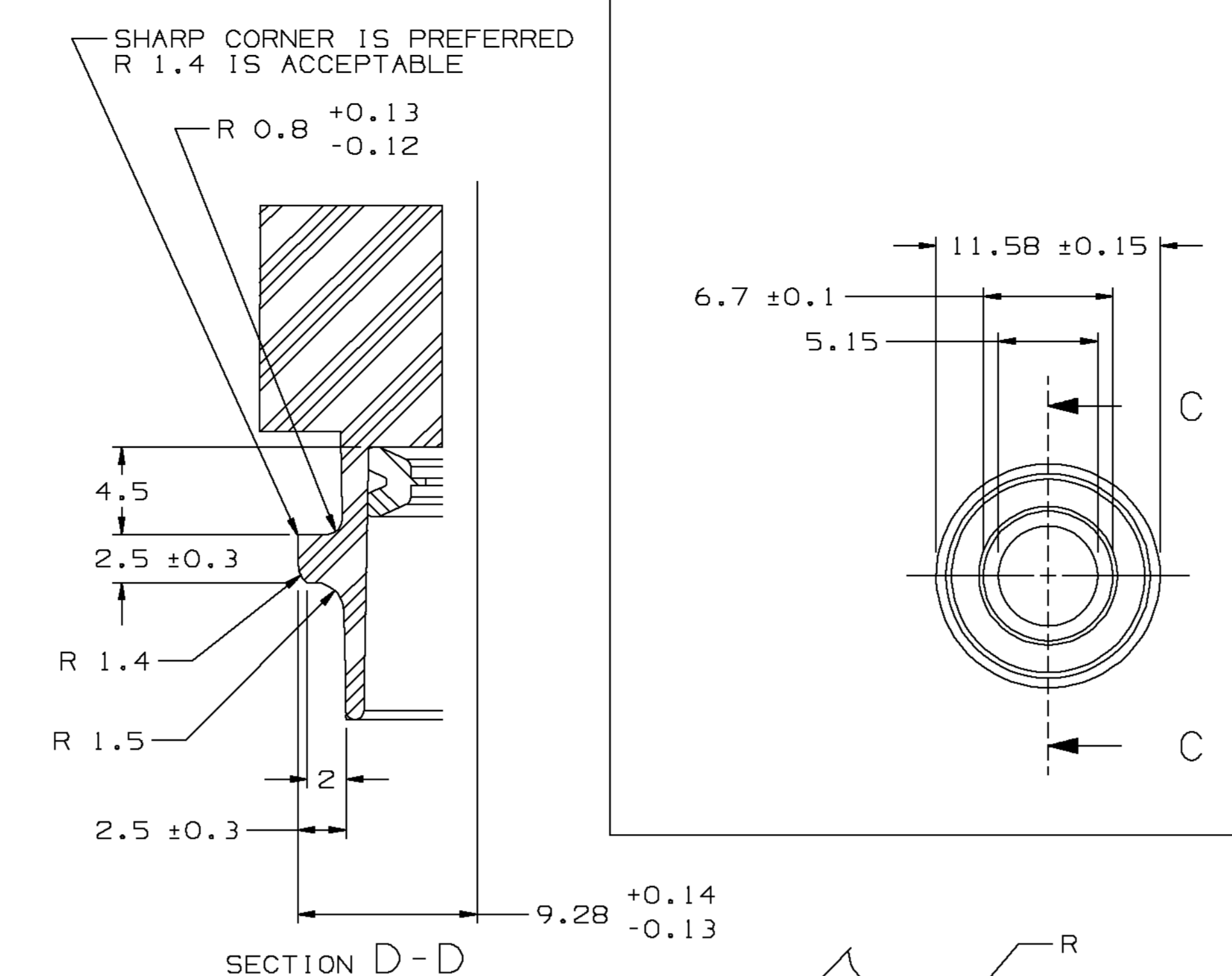
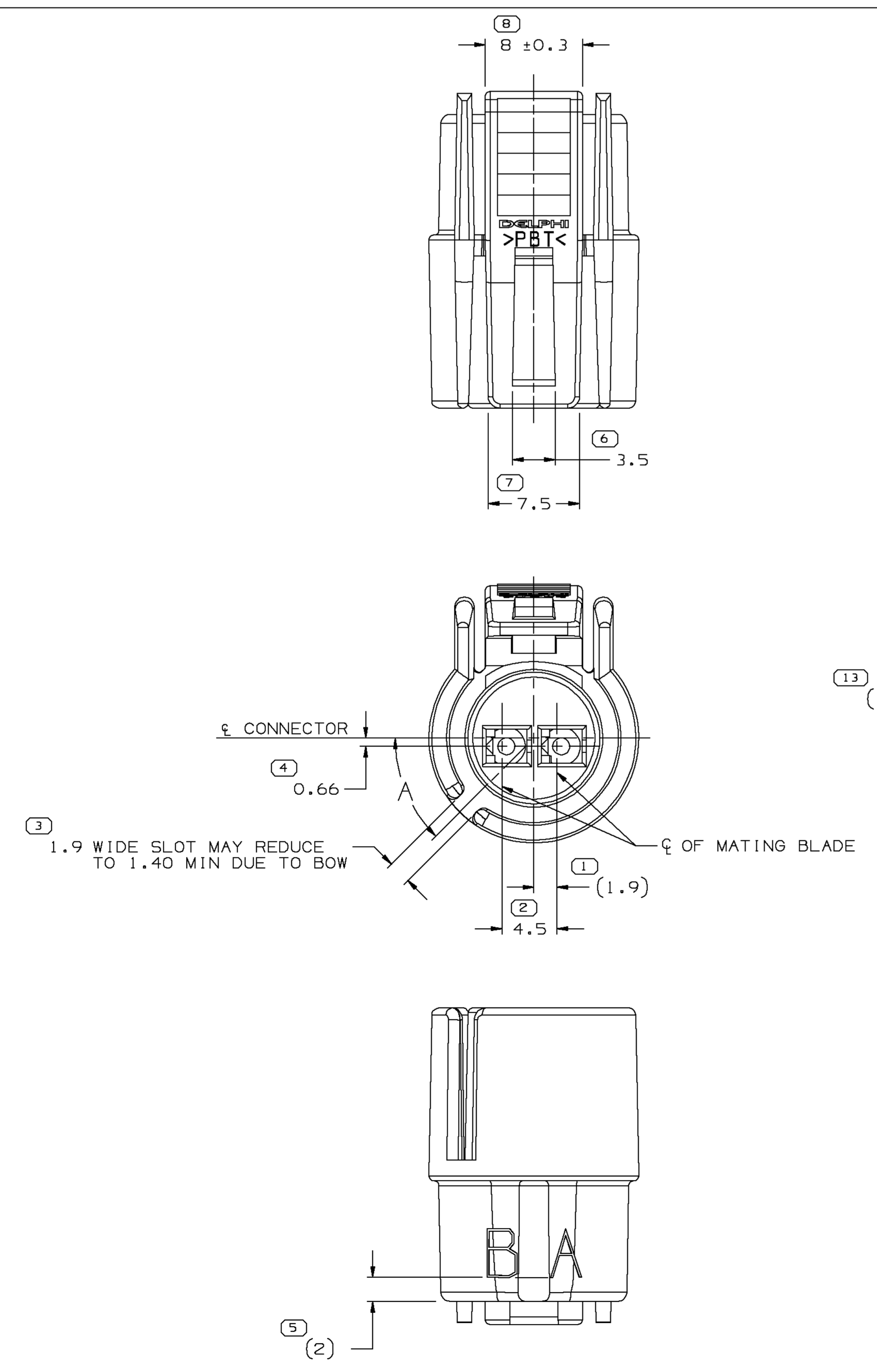
MINIMUMS  
 ELECTRICAL CONDUCTIVITY - ≥ 20% IACS @20°C. USE OF A MATERIAL WITH CONDUCTIVITY < 20% IACS MUST BE APPROVED BY PACKARD ELECTRIC MATERIALS ENGINEERING.

TENSILE STRENGTH - 407 MPa

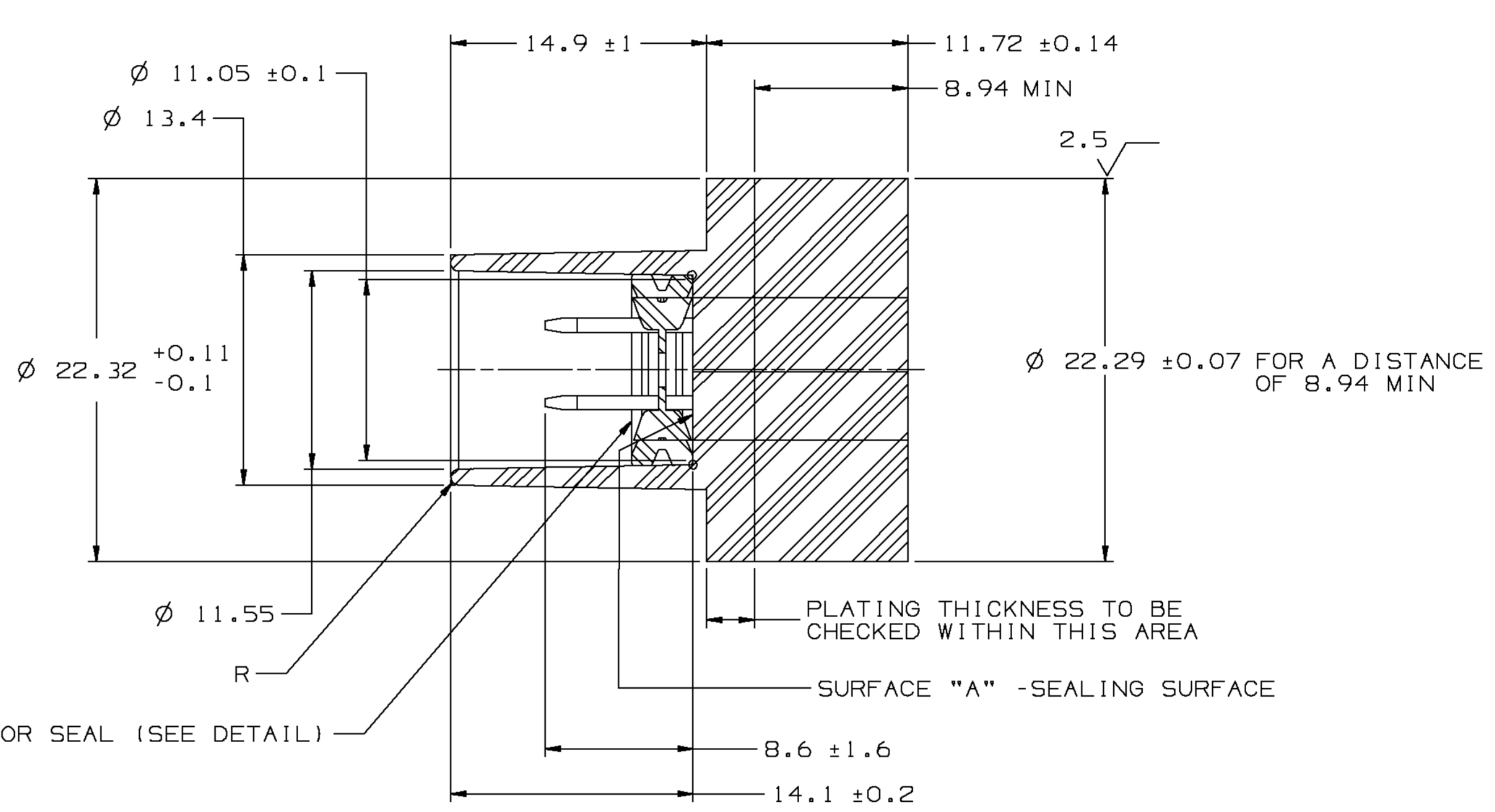
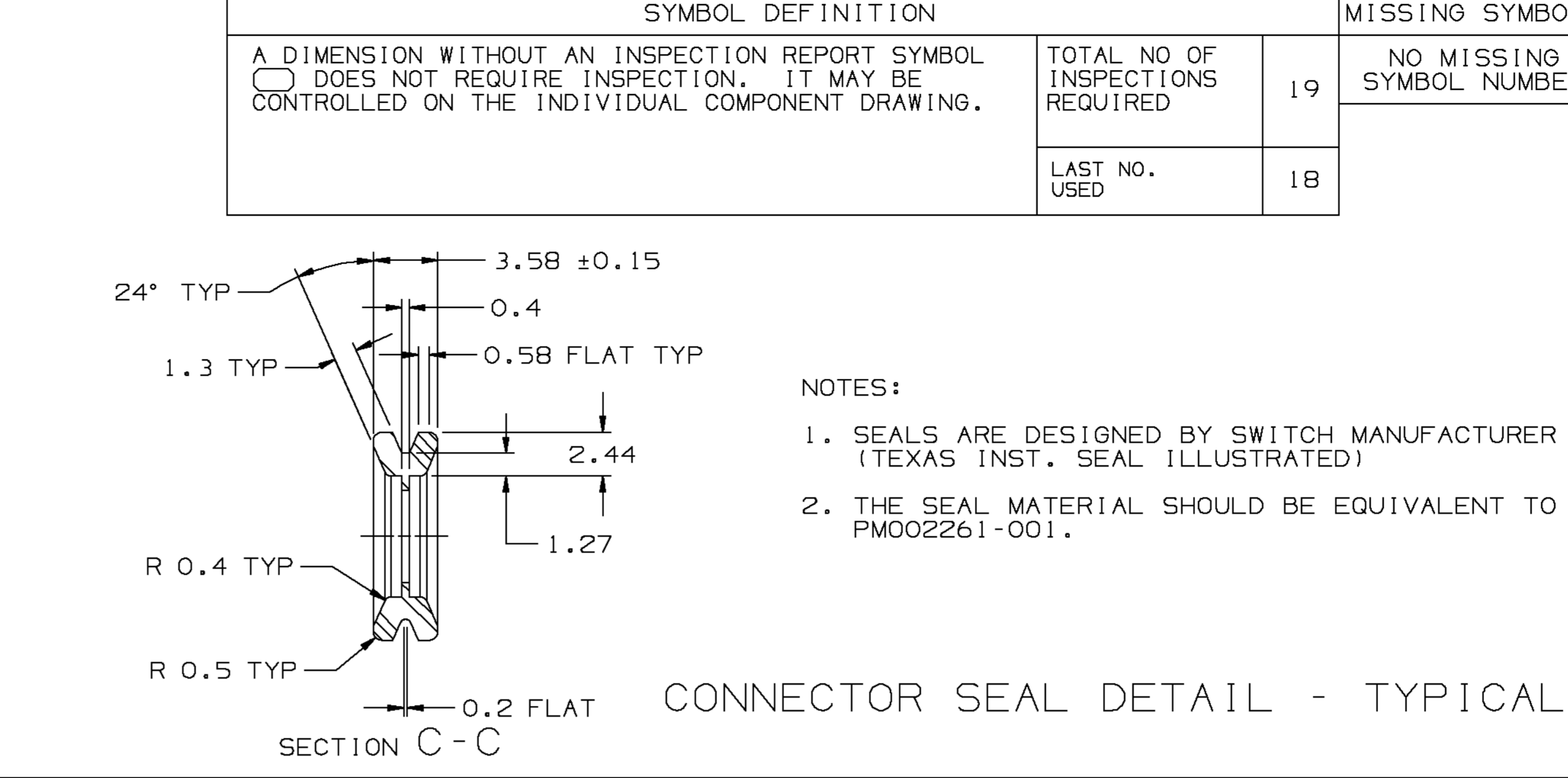
PLATING - FOR LOW ENERGY (< 5 V) AND NON-PASSENGER COMPARTMENT POWER CIRCUITS, 0.0050 ±0.0025 MM THICK TIN. FOR MATERIALS CONTAINING 10% OR MORE ZINC, AN UNDERPLATE OF COPPER 0.0050 ±0.0025 MM THICK IS REQUIRED.

BLADE THICKNESS  
 UNPLATED = 0.813 ±0.025  
 TIN PLATED = 0.823 ±0.030

MATING BLADE INFORMATION  
 SCALE 10:1



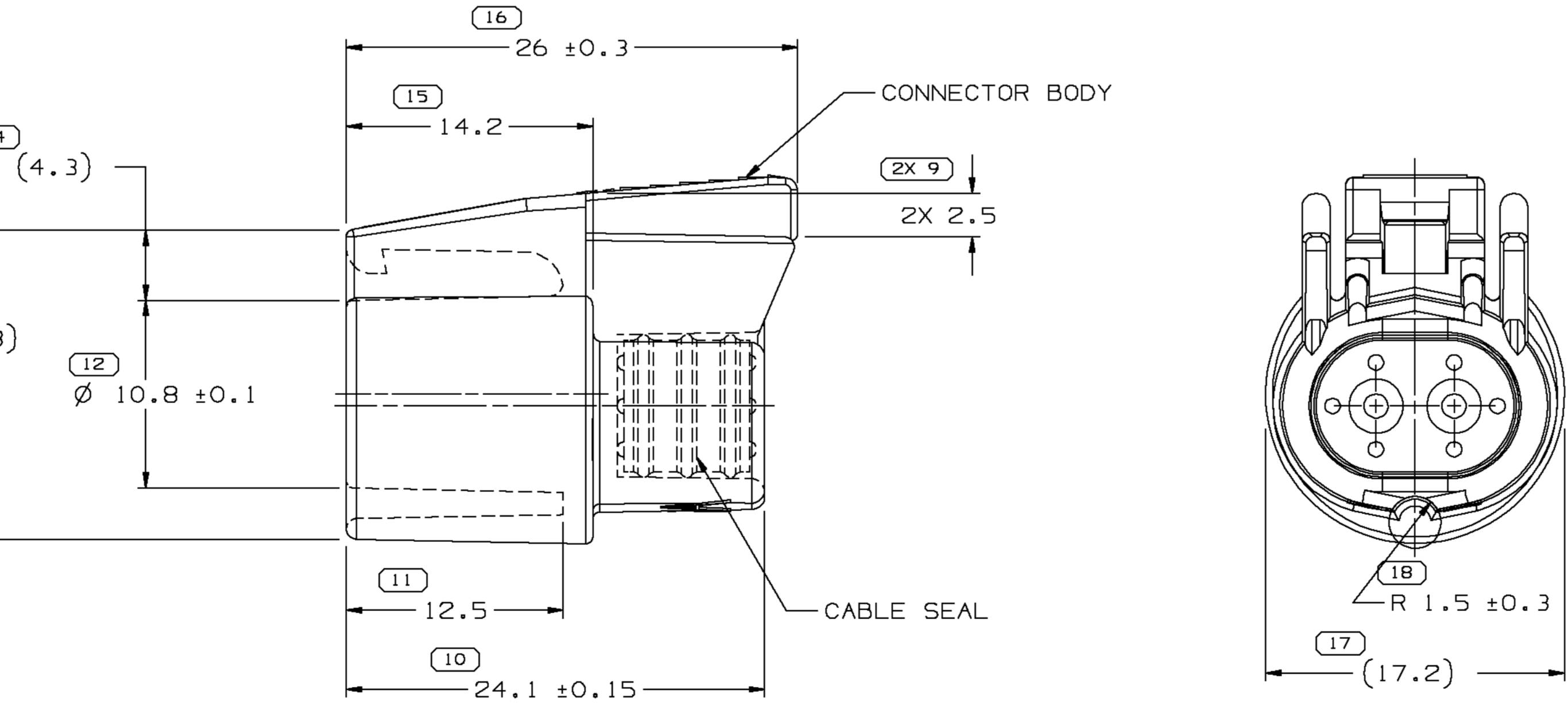
\* DIMENSIONS LOCATING TERMINALS ARE TO CENTER OF TERMINAL



MATING PART INFORMATION

NOTES

- UNLESS OTHERWISE SPECIFIED AND/OR INDICATED: DIMENSIONS ARE TO FACE OF VIEW SHOWN AND AUTOMATICALLY ROUNDED BY COMPUTER FOR INSPECTION (SEE MATH MODEL FOR PRECISE DIMENSIONS). FOR ALL OTHER DIMENSIONS NOT SHOWN BUT REQUIRED FOR TOOL BUILD, SEE MATH MODEL FOR PRECISE TOOL PATH DATA.
- SEALING CODE 2 - DESIGN WILL PASS SALT FOG TEST AFTER CONDITIONING AS SPECIFIED IN ESA-644 (WEATHER-PACK), ESA-710 (METRIC-PACK), ESA-650 (UNDERHOOD MICRO-PACK), C-4006 (WORLD CONNECTOR), ETC WHEN MATED TO MATING PART OR EQUIVALENT.
- MATING COMPONENTS:  
 TERMINAL: 12047690 OR EQUIVALENT  
 CONNECTOR POSITION ASSURANCE LOCK: 12162768  
 MATING SWITCH: SEE CHART
- WHEN PARTS ARE SHIPPED, THEY MUST BE PACKED IN PLASTIC BAGS OR SHIPPING CONTAINERS MUST BE LINED WITH PLASTIC LINERS. BAGS OR LINERS MUST BE SEALED TO AVOID ENTRY OF FOREIGN MATTER.
- FOR LEAD LENGTH CALCULATIONS, DISTANCE FROM MATING END OF CONNECTOR TO FRONT OF CABLE CORE IS 10.15/7.05



PART NO	REV	N/P	STATUS	HARRISON MATING PART NO.	CONNECTOR BODY NO.	CABLE SEAL & COLOR	A	B	REPLACED BY
12186971	A	-	OBSOLETE	6551946	12186908	12110173 WHT	0°	90°	
12186970	A	-	OBSOLETE	6551917	12186910	12059639 RED	45°	135°	
12186969	A	-	OBSOLETE	6551946	12186908	12059638 BLU	0°	90°	
12186968	A	-	OBSOLETE	6551917	12186910	12110173 WHT	45°	135°	
12186911	A	-	OBSOLETE	6551917	12186910	12092125 GRA LT	45°	135°	
12186909	A	-	OBSOLETE	6551946	12186908	12078085 ORN	0°	90°	
15304849	C	-	OBSOLETE	-	15304844	12059639 RED	135°	225°	
12186386	A	-	OBSOLETE	6551917	12162434	12110173 WHT	45°	135°	
12162444	B	-	OBSOLETE	6551946	12162433	12059638 BLU	0°	90°	
12162443	B	-	OBSOLETE	6551917	12162434	12059639 RED	45°	135°	
12162442	D3	-	OBSOLETE	6551917	12162432	12059639 RED	45°	135°	12162438
12162440	B	-	OBSOLETE	6551946	12162433	12078085 ORN	0°	90°	
12162438	B	-	OBSOLETE	6551917	12162434	12092125 GRA LT	45°	135°	
12162437	C2	-	OBSOLETE	6551917	12162432	12092125 GRA LT	45°	135°	12162438
12162436	B	-	OBSOLETE	6551946	12162433	12110173 WHT	0°	90°	



DIMENSIONAL RANGE (MM)	CHART	ET
FROM > 0	> 30	> 300
TO 20	40	70
20	100	150
100	200	250
250	300	400

(N/A) PROCESS SENSITIVE DIMENSION

DIMENSIONS ENCLOSED IN ( ) INDICATE REFERENCE DIMENSIONS AND NO TOLERANCE LIMITS ARE ESTABLISHED

USE MATH DATA

DRG TYPE: PART DRAWING

STYLE: DISTR CODE: D

VOLUME (CM): 6900

ROUTING: 6900

THIS DOCUMENT IS IN ACCORDANCE WITH ASME Y14.5M-1994 AS AMENDED BY THE 2003 ADDENDUM AND THE 2009 ADDENDUM. ALL DIMENSIONS ARE TO UNLESS OTHERWISE SPECIFIED. DIMENSIONS ENCLOSED IN ( ) INDICATE REFERENCE DIMENSIONS AND NO TOLERANCE LIMITS ARE ESTABLISHED. UNLESS OTHERWISE SPECIFIED, DIMENSIONS ARE IN MILLIMETERS.

THIRD ANGLE PROJECTION

DO NOT SCALE

USE MATH DATA

**DELPHI**

DELPHI PACKARD ELECTRIC SYSTEMS  
 WARREN, OH

DR: W. TURNBULL	DATE: 14 JUL 94
APV01: W. TURNBULL	14 JUL 94
APV02: S. MORAN	18 JUL 94
APV03: J. BOKROS	18 OCT 94
APV04:	
APV05:	

SUBSTANCES OF CONCERN AND RECYCLED CONTENT PER DELPHI 10949001

DRAWING NAME: TAXI ASM CONN 2F M/P 150 P25

DRAWING NUMBER: 12162435

SIZE: A0  
 SCALE: 4:1  
 FRAME NO: 1 OF 1  
 SHEET NO: 1 OF 1  
 STB REV: R 03