

1217345-1 ✓ ACTIVE

FASTON | FASTON 110

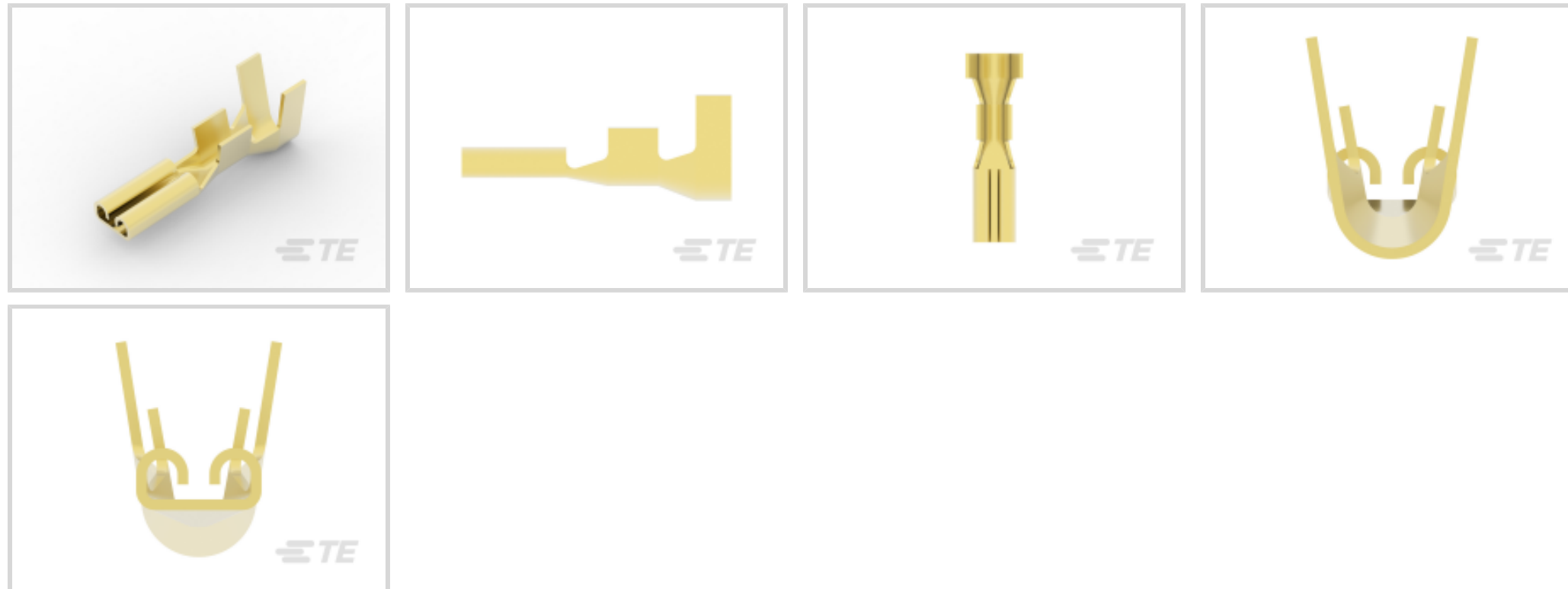
TE Internal #: 1217345-1

Quick Disconnects, Receptacle, 18 – 16 AWG Wire Size, .75 – 1.5 mm² Wire Size, Mating Tab Width .11 in [2.8 mm], Straight, Brass, FASTON 110

[View on TE.com >](#)



Terminals & Splices > Quick Disconnects



Quick Disconnect Terminal Type: **Receptacle**

Wire Size: .75 – 1.5 mm²

Mating Tab Width: 2.8 mm [.11 in]

Mating Tab Thickness: .51 mm [.02 in]

Features

Product Type Features

Terminates To	Wire & Cable
Wire/Cable Type	Regular Wire
Wire Stop	No
Insertion Force	Low
Sealable	No

Configuration Features

Connection Capacity	Single
---------------------	--------

Contact Features

Quick Disconnect Terminal Type	Receptacle
Mating Tab Width	2.8 mm [.11 in]
Mating Tab Thickness	.51 mm [.02 in]
Terminal Orientation	Straight
Contact Base Material	Brass
Terminal Plating Material	Unplated
Crimp Type	F-Crimp



Barrel Type	Open
-------------	------

Mechanical Attachment

Mating Retention Type	Dimple
-----------------------	--------

Wire Insulation Support	With
-------------------------	------

Dimensions

Accepts Wire Insulation Diameter Range	2.79 – 4.32 mm [.11 – .17 in]
--	-------------------------------

Receptacle Terminal Stock Thickness	.3 mm [.012 in]
-------------------------------------	-----------------

Overall Length	16.64 mm [.655 in]
----------------	--------------------

Wire Size	.75 – 1.5 mm ²
-----------	---------------------------

Usage Conditions

Insulation Option	Uninsulated
-------------------	-------------

Operating Temperature Range	-40 – 110 °C [-40 – 230 °F]
-----------------------------	-----------------------------

Industry Standards

CSA Certified	Yes
---------------	-----

UL Rating	Listed
-----------	--------

Packaging Features

Packaging Quantity	4000
--------------------	------

Packaging Method	Strip/Reel
------------------	------------

Other

Line	Budget
------	--------

Product Compliance

[For compliance documentation, visit the product page on TE.com>](#)

EU RoHS Directive 2011/65/EU	Compliant
------------------------------	-----------

EU ELV Directive 2000/53/EC	Compliant
-----------------------------	-----------

China RoHS 2 Directive MIIT Order No 32, 2016	No Restricted Materials Above Threshold
---	---

EU REACH Regulation (EC) No. 1907/2006	Current ECHA Candidate List: JAN 2022 (223) Candidate List Declared Against: JAN 2022 (223) Does not contain REACH SVHC
--	---

Halogen Content	Low Halogen - Br, Cl, F, I < 900 ppm per homogenous material. Also BFR/CFR/PVC Free
-----------------	---

Solder Process Capability

Not applicable for solder process capability

Product Compliance Disclaimer

This information is provided based on reasonable inquiry of our suppliers and represents our current actual knowledge based on the information they provided. This information is subject to change. The part numbers that TE has identified as EU RoHS compliant have a maximum concentration of 0.1% by weight in homogenous materials for lead, hexavalent chromium, mercury, PBB, PBDE, DBP, BBP, DEHP, DIBP, and 0.01% for cadmium, or qualify for an exemption to these limits as defined in the Annexes of Directive 2011/65/EU (RoHS2). Finished electrical and electronic equipment products will be CE marked as required by Directive 2011/65/EU. Components may not be CE marked. Additionally, the part numbers that TE has identified as EU ELV compliant have a maximum concentration of 0.1% by weight in homogenous materials for lead, hexavalent chromium, and mercury, and 0.01% for cadmium, or qualify for an exemption to these limits as defined in the Annexes of Directive 2000/53/EC (ELV). Regarding the REACH Regulation, the information TE provides on SVHC in articles for this part number is based on the latest European Chemicals Agency (ECHA) 'Guidance on requirements for substances in articles' posted at this URL: <https://echa.europa.eu/guidance-documents/guidance-on-reach>

Compatible Parts



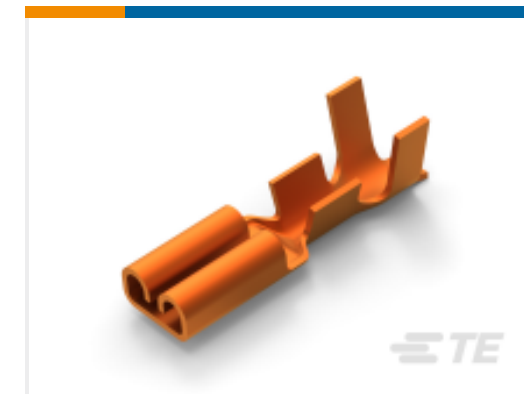
TE Part # 521307-1
110 FASTON HSG. REC 3P NATURAL



TE Part # 521306-1
110 FASTON HSG. REC 5MM2P NATURAL



TE Part # 1494217-1
110 FASTON, REC., 18-22 AWG, PB



TE Part # 1494219-1
110 FASTON, REC., 18-22 AWG, BR



TE Part # 2-2150239-1
OCEAN_2.0 Applicator-E-090F130F



TE Part # 2-2150239-2
OCEAN_2.0 Applicator-E-090F130F



TE Part # 2150239-1
OCEAN_2.0 Applicator-E-090F130F



TE Part # 2150239-2
OCEAN_2.0 Applicator-E-090F130F



TE Part # 7-2150239-7
OCEAN_2.0 SPARE_PART_KIT-090F130F

Also in the Series | **FASTON 110**



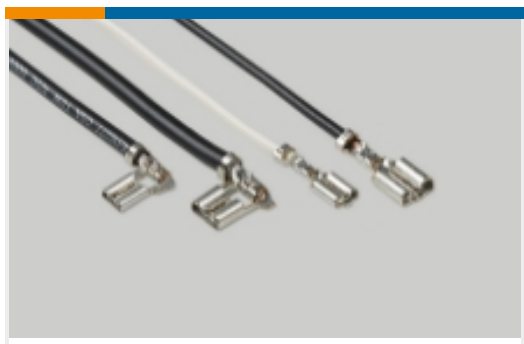
Crimp Terminal Housings(17)



Insertion & Extraction Tools(1)

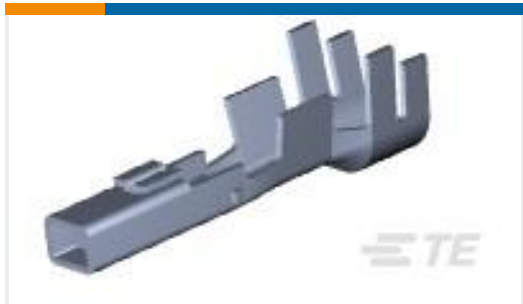


PCB Terminals(21)



Quick Disconnects(173)

Customers Also Bought



TE Part #177915-1
AMP POWER DBL LOCK REC (L)



TE Part #1971784-2
PTL TAB CONTACT, 16-19 AWG, 2X22 AWG



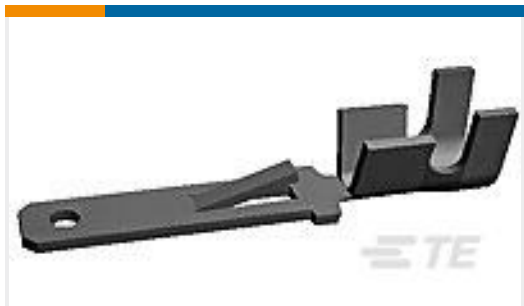
TE Part #770063-1
01P .093 COMM P&S RECPT HSG



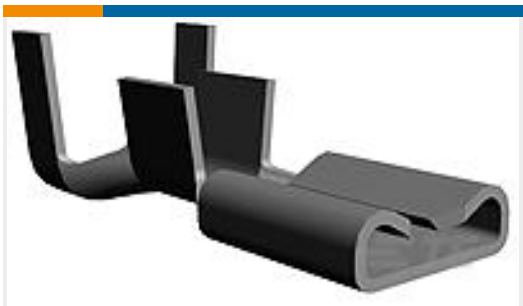
TE Part #770065-1
02P .093 COMM P&S RECPT .248CL



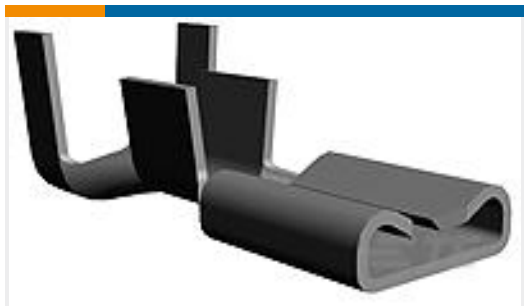
TE Part #61944-1
250 FASTON REC 18-14 AWG BR



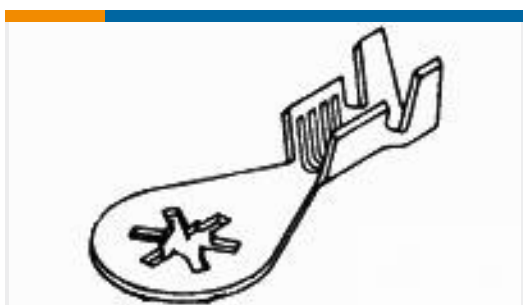
TE Part #42460-2
FF 250 TAB 18-14AWG TPBR



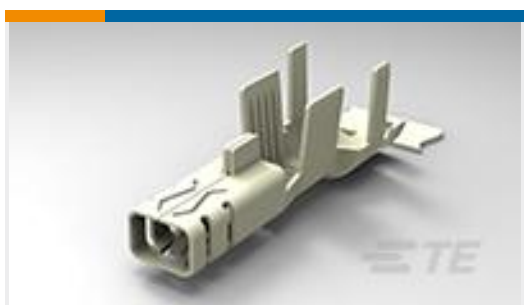
TE Part #60196-2
187 FASTON REC 20-16 AWG TPBR



TE Part #42801-1
187 FASTON REC 20-16 AWG BR



TE Part #61795-1
RING 18-14 AWG TPST



TE Part #1971783-1
PTL RECEPTACLE CONTACT, 16-19 AWG, 2X22

Documents

Product Drawings

[110 FASTON,REC.,16-18 AWG,BR](#)

English

CAD Files

Customer View Model

[ENG_CVM_CVM_1217345-1_K.2d_dxf.zip](#)

English

[3D PDF](#)



3D

Customer View Model

[ENG_CVM_CVM_1217345-1_K.3d_igs.zip](#)

English

Customer View Model

[ENG_CVM_CVM_1217345-1_K.3d_stp.zip](#)

English

By downloading the CAD file I accept and agree to the [Terms and Conditions](#) of use.

Product Specifications

[Application Specification](#)

English

[Application Specification](#)

English

[FASTIN-FASTON 110, 187, 205 And 312 Series Receptacle Contacts](#)

English

Product Environmental Compliance

[TE Material Declaration](#)

English

Agency Approvals

[CSA Certificate](#)

English

[CSA Certificate](#)

English