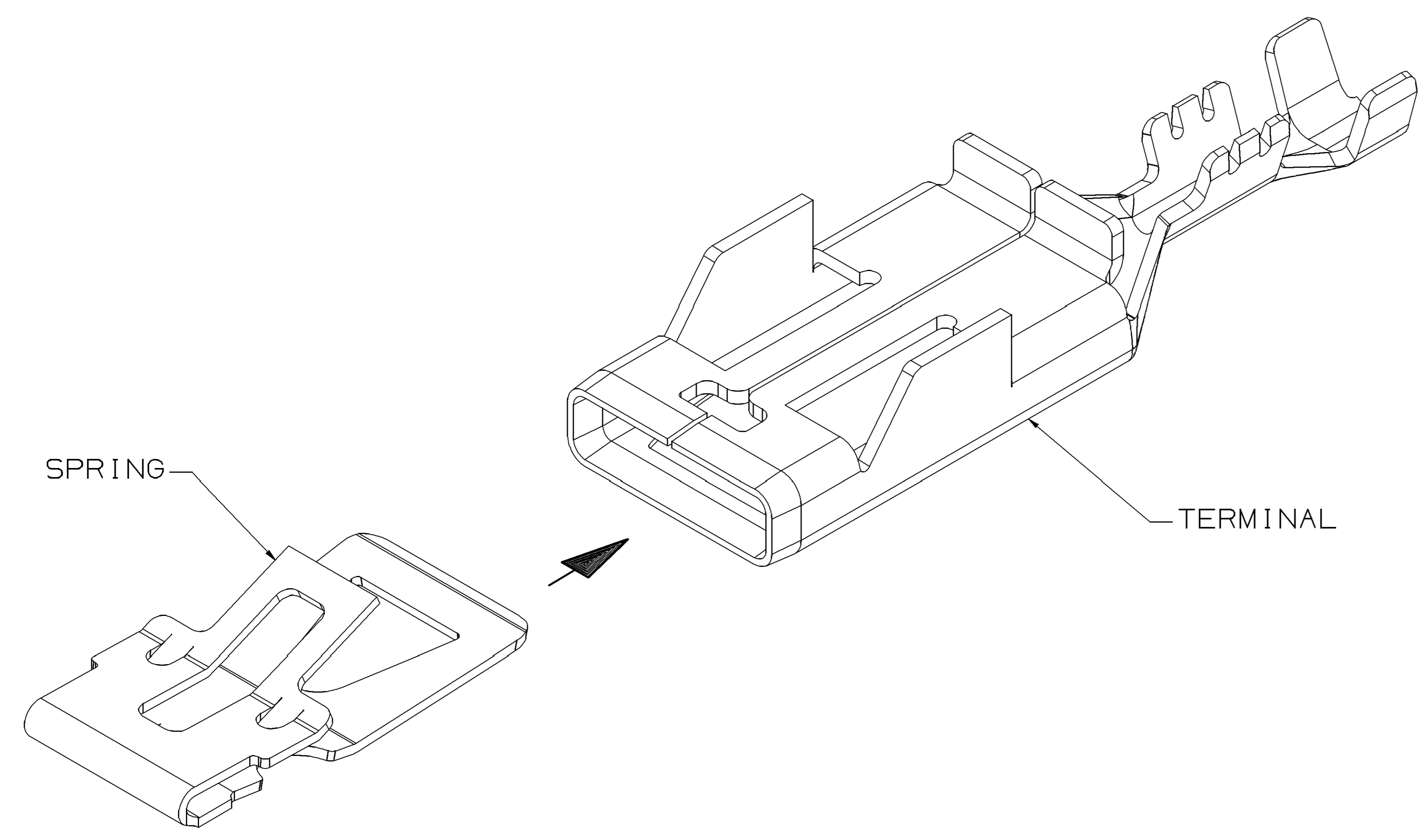
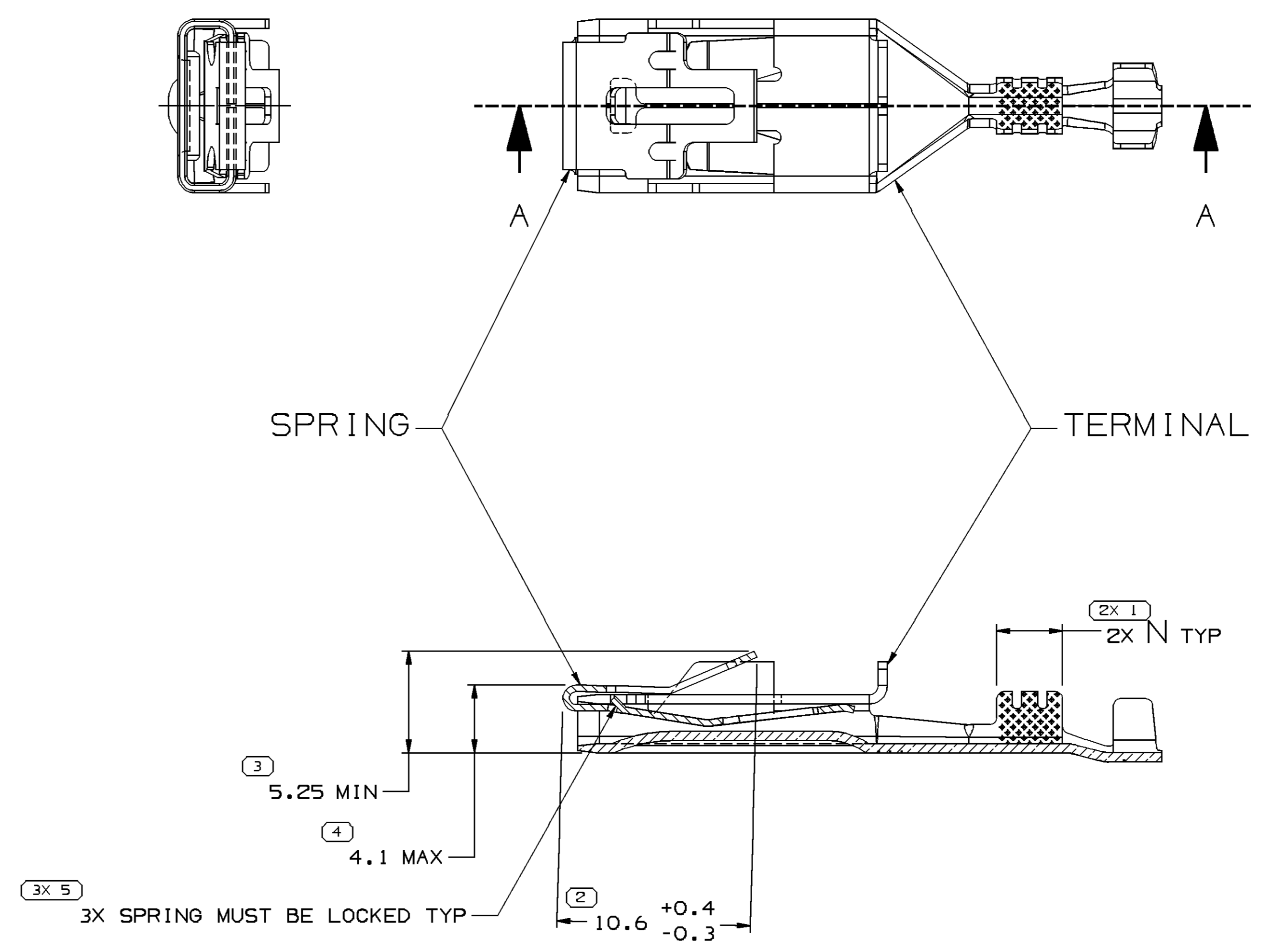


| SYMBOL DEFINITION | | MISSING SYMBOLS | |
|--|----------------------------------|--------------------------|--|
| A DIMENSION WITHOUT AN INSPECTION REPORT SYMBOL DOES NOT REQUIRE INSPECTION. IT MAY BE CONTROLLED ON THE INDIVIDUAL COMPONENT DRAWING. | TOTAL NO OF INSPECTIONS REQUIRED | NO MISSING SYMBOL NUMBER | |
| | 8 | | |
| | LAST NO. USED | | |
| | 5 | | |

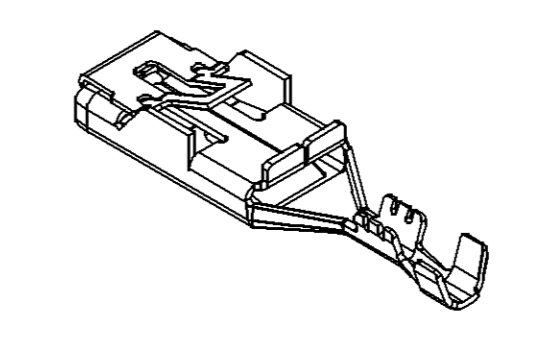
| DWG STATUS | | | | REVISION HISTORY | | AUTH | | DR | | AP/VD | |
|------------|-----|-----|-----|------------------|------|---|--|--------|-----|-------|-----|
| DATE | STG | REV | N/P | CHG | ZONE | | | | | | |
| 21MR00 | R | 001 | - | - | | CLEARED REV COLUMN: ALL PARTS - REDRAWN TO PD | | 000009 | EVY | 061 | AL |
| 07N001 | R | 002 | - | - | | 12065915 - UPDATED PDM ATTRIBUTES | | 215046 | MFL | MFL | DLB |
| 30JA02 | R | 003 | - | - | | 12065918 - UPDATED PDM ATTRIBUTES | | 219729 | JMR | JMR | AM |
| 30JA02 | R | 004 | - | - | | 12110128 - UPDATED PDM ATTRIBUTES | | 219730 | JMR | JMR | AM |
| 07MR06 | R | 05 | - | - | | 12146942 - INACTIVE | | 278088 | JTZ | JVM | BDG |



STANDARD ASSEMBLY
SCALE 10:1



STANDARD CRIMP TERMINAL ASSEMBLY



VIEW SCALE DOES NOT REFLECT ACTUAL PART SIZE

NOTES

- UNLESS OTHERWISE SPECIFIED AND/OR INDICATED: DIMENSIONS ARE TO FACE OF VIEW SHOWN AND AUTOMATICALLY ROUNDED BY COMPUTER FOR INSPECTION (SEE MATH MODEL FOR PRECISE DIMENSIONS). FOR ALL OTHER DIMENSIONS NOT SHOWN BUT REQUIRED FOR TOOL BUILD, SEE MATH MODEL FOR PRECISE TOOL PATH DATA.
- TERMINALS TO BE USED WITH 12065900 FUSE BLOCK OR EQUIVALENT.
- TERMINAL ENGAGE ION TO 35N WHEN MATED TO A 8 MM WIDE X 0.81 MM THICK HARDENED STEEL BLADE.
- MATING COMPONENTS OR EQUIVALENT: MAX1 FUSE 12065938
- NO SPECIAL PACKAGING REQUIRED.
- RECOVERY NOTE - AFTER INSERTION INTO A 4.3 FUNCTIONAL GAGE, 5.25 MIN TANG MUST RECOVER TO A MINIMUM OF 5.
- TERMINAL FOR USE IN SEALED CAVITY REF CONN 12129380. USE CABLE SEAL 12129381.
- TERMINAL FOR USE IN UNSEALED CAVITY REF CONN 12160893.
- TERMINAL FOR USE IN SEALED CAVITY REF CONN 15336743. USE CABLE SEAL 15336703.

| ASM PART NO | REV | N/P | STATUS | DESCRIPTION | SPRING PART NO | TERMINAL PART NO | N MAX | APPLICATION |
|-------------|-----|-----|----------|--|----------------|------------------|----------|-------------|
| 15336748 | A2 | - | - | 5 MM ² SEALED TERMINAL | 12065905 | 15336629 | 7 | NOTE 9 |
| 12146942 | A2 | - | INACTIVE | 8 MM ² CRIMPED TERMINAL | 12065905 | 12146941 | 7 | NOTE 8 |
| 12129414 | A2 | - | - | 8 MM ² SEALED TERMINAL | 12065905 | 12129383 | 7 | NOTE 7 |
| 12110128 | A4 | - | - | TWO 2 MM ² CRIMPED TERMINAL | 12065905 | 12110126 | 6 | NOTE 2 |
| 12110127 | A3 | - | - | 5 MM ² CRIMPED TERMINAL | 12065905 | 12110125 | 6 | NOTE 2 |
| 12092445 | B3 | - | - | TWO 5 MM ² CRIMPED TERMINAL | 12065905 | 12092443 | 6 | NOTE 2 |
| 12092444 | A7 | - | - | TWO 3 MM ² CRIMPED TERMINAL | 12065905 | 12092442 | 6 | NOTE 2 |
| 12065921 | A9 | - | OBSOLETE | TWO 5 MM ² CRIMPED TERMINAL | 12065905 | 12065913 | 4 | NOTE 2 |
| 12065920 | A9 | - | OBSOLETE | TWO 3 MM ² CRIMPED TERMINAL | 12065905 | 12065912 | 4 | NOTE 2 |
| 12065919 | A9 | - | OBSOLETE | TWO 2 MM ² CRIMPED TERMINAL | 12065905 | 12065911 | 4 | NOTE 2 |
| 12065918 | B4 | - | - | TWO 1 MM ² CRIMPED TERMINAL | 12065905 | 12065910 | 4 | NOTE 2 |
| 12065917 | A9 | - | OBSOLETE | 5 MM ² CRIMPED TERMINAL | 12065905 | 12065909 | 4 | NOTE 2 |
| 12065916 | B3 | - | - | 3-2 MM ² CRIMPED TERMINAL | 12065905 | 12065908 | 4 | NOTE 2 |
| 12065915 | B4 | - | - | 1-0.8 MM ² CRIMPED TERMINAL | 12065905 | 12065907 | 4 | NOTE 2 |

TERMINAL AND SPRING ASSEMBLIES

| Dwg TYPE | | PART DRAWING | |
|--|------------|---------------|--|
| STYLE | DISTR CODE | D | |
| VOLUME 10/11 | | | |
| UNLESS OTHERWISE SPECIFIED | | | |
| THIS DOCUMENT IS IN ACCORDANCE WITH ASME Y14.5M-1994 AS MODIFIED BY THE IN-SITU DIMENSIONING AND TOLERANCE ADDENDUMS. SEPARATE WRITINGS OF FEATURES MAY BE BASED SEPARATELY PER USE OF DATUM REFERENCES. | | | |
| ALL DIMENSIONS ARE IN MILLIMETERS | | | |
| REFERENCE | | | |
| DIMENSIONS ENCLOSED IN () INDICATE DIMENSIONS TO FACE OF VIEW SHOWN AND NO TOLERANCE LIMITS ARE ESTABLISHED | | | |
| DIMENSIONAL RANGE: 1MM | | CHART D | |
| FROM | TO | > 12 | |
| 0 | 12 | | |
| TOLERANCE UNLESS OTHERWISE SPECIFIED | | | |
| ±0.1 | | ±0.2 | |
| ANGULAR TOLERANCE 2° | | | |
| THIRD ANGLE PROJECTION | | DO NOT SCALE | |
| USE MATH DATA | | USE MATH DATA | |

DELPHI
DELPHI PACKARD ELECTRIC SYSTEMS
WVREN, OH

| | |
|------------------------|--------|
| DR | DATE |
| APV01 JAY H. GARRETSON | 21JN85 |
| APV02 R. GLEASON | 21AUB6 |
| APV03 D. BRANTINGHAM | 155E86 |
| APV04 R. PETROSKY | 165E86 |
| APV05 | |

SUBSTANCES OF CONCERN AND RECYCLED CONTENT PER DELPHI 10949001

DRAWING NAME: TAXI ASM TERM M/P 800

DRAWING NUMBER: 12065914

SIZE: A0 SCALE: 5:1 FRG: NO 1 OF 1 SHEET NO: 2 OF 2 STG: REV: N/P: R 05 -