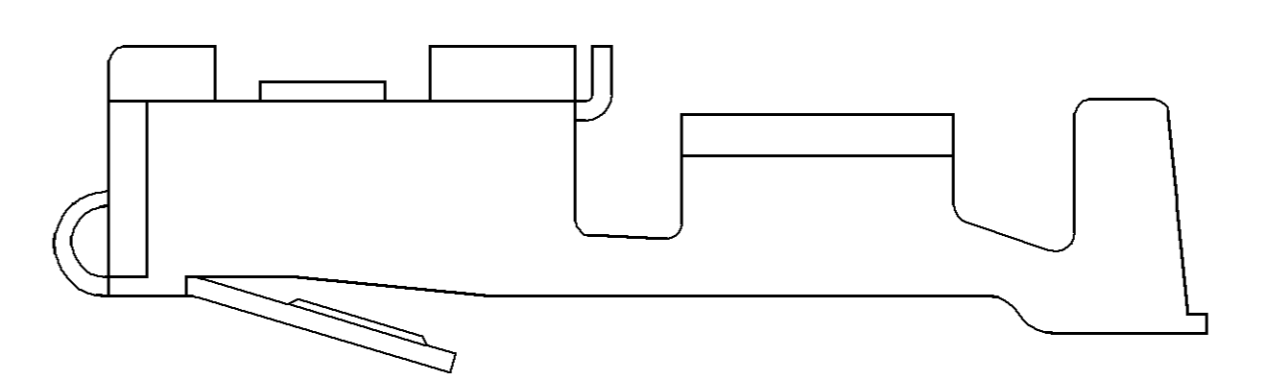
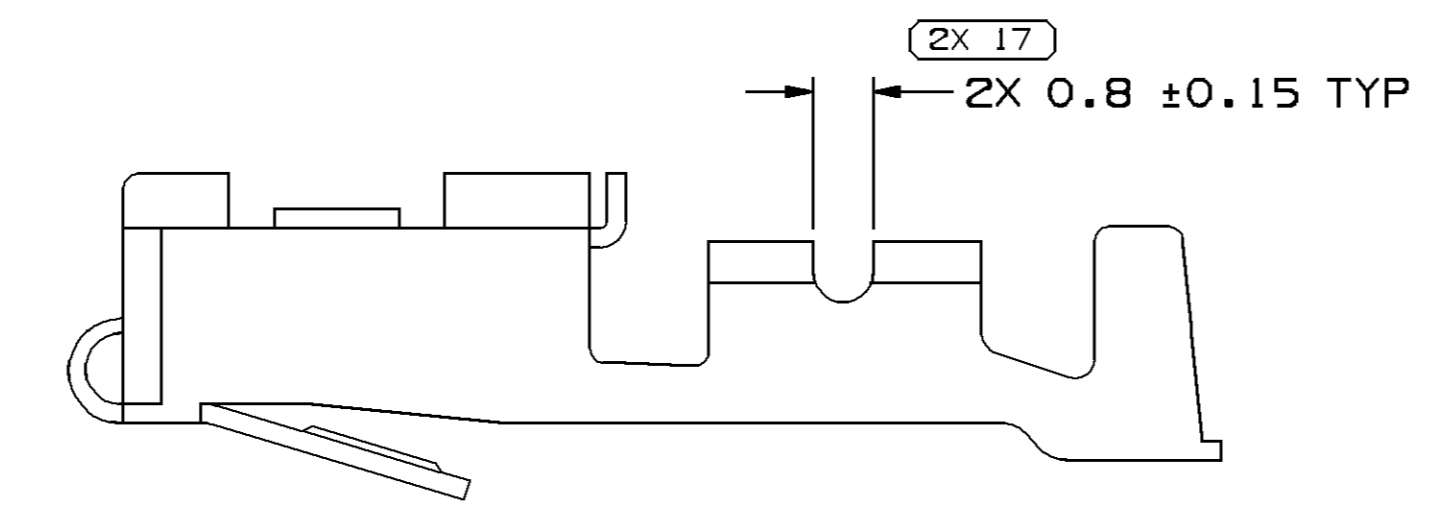
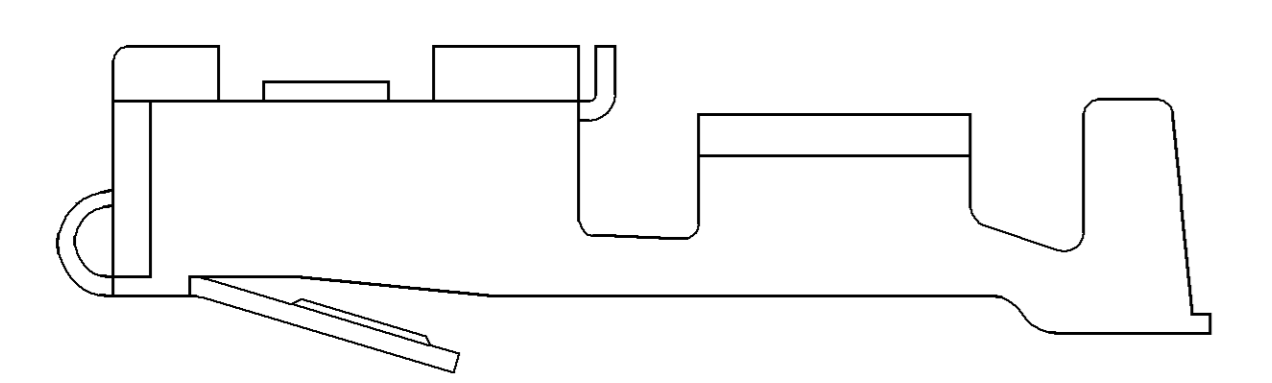
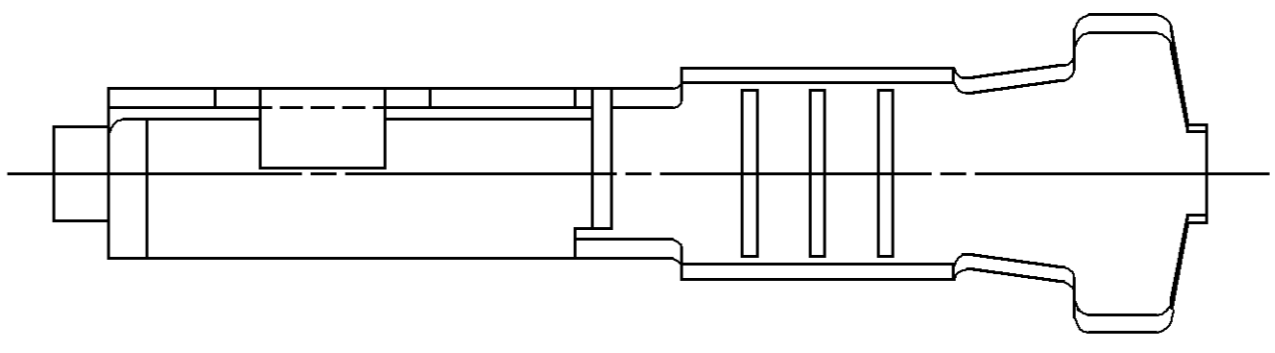
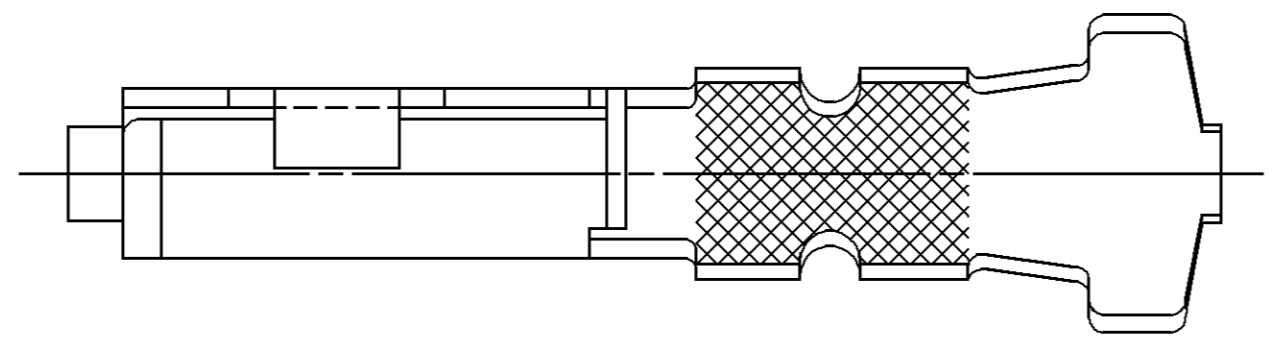
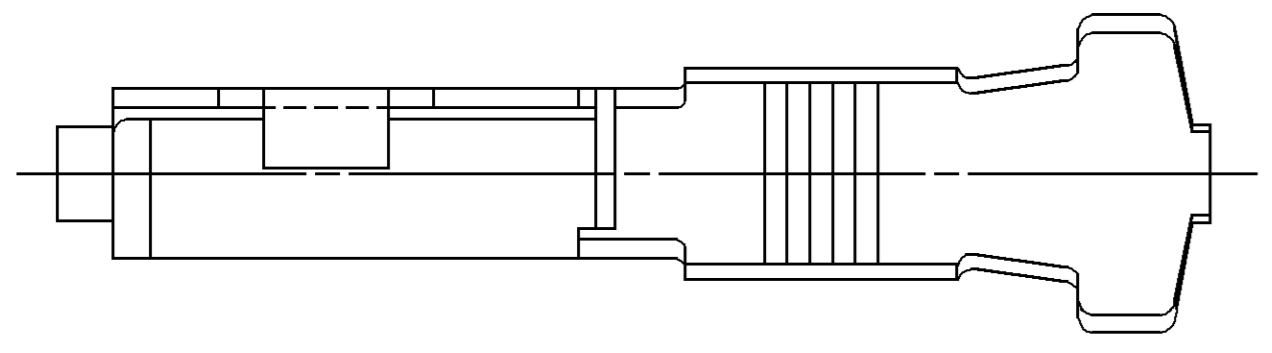


SYMBOL DEFINITION		MISSING SYMBOLS	
A DIMENSION WITHOUT AN INSPECTION REPORT SYMBOL DOES NOT REQUIRE INSPECTION. IT MAY BE CONTROLLED ON THE INDIVIDUAL COMPONENT DRAWING.	TOTAL NO OF INSPECTIONS REQUIRED	NO MISSING SYMBOL NUMBER	
	31		
	LAST NO. USED		
	21		

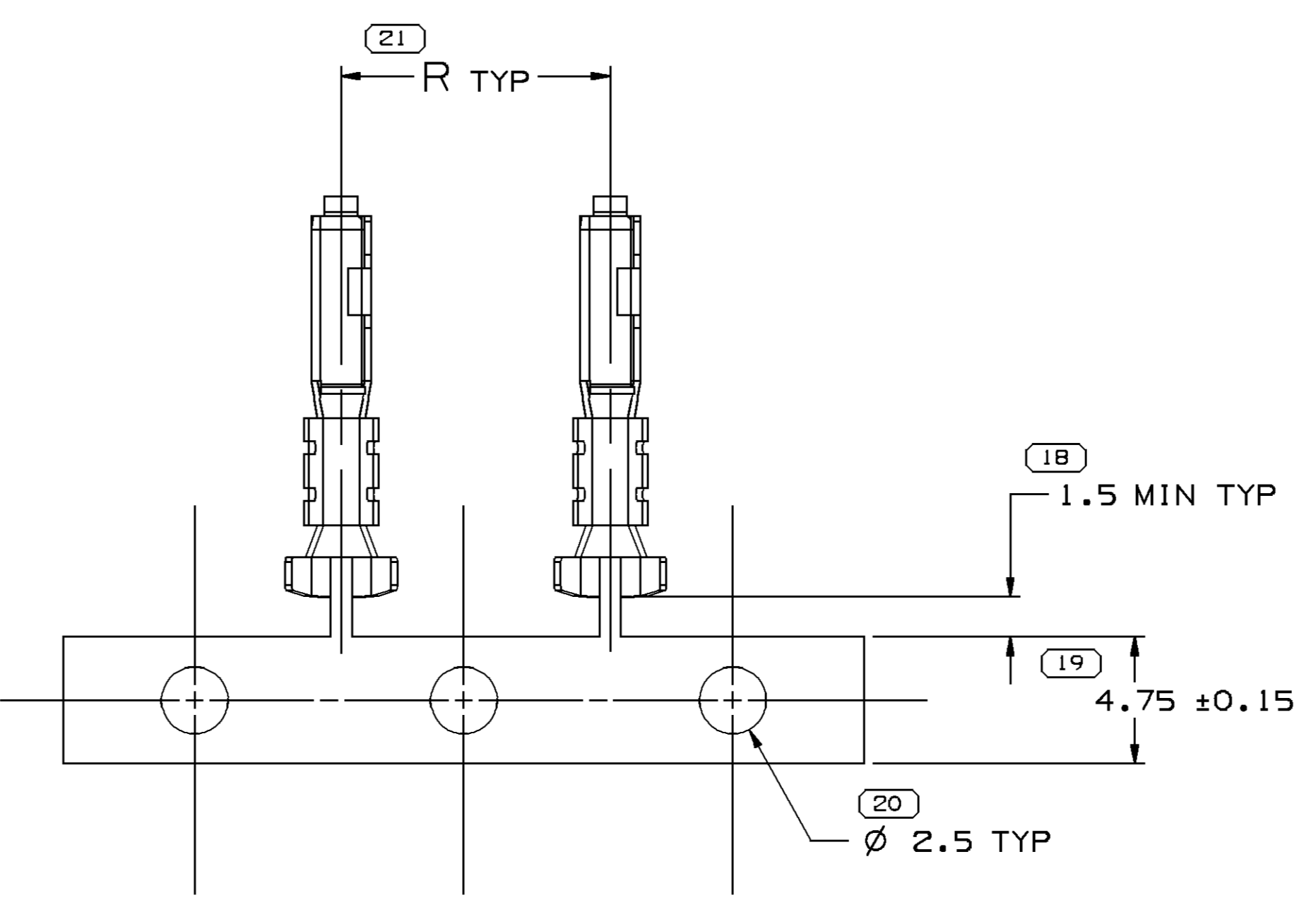
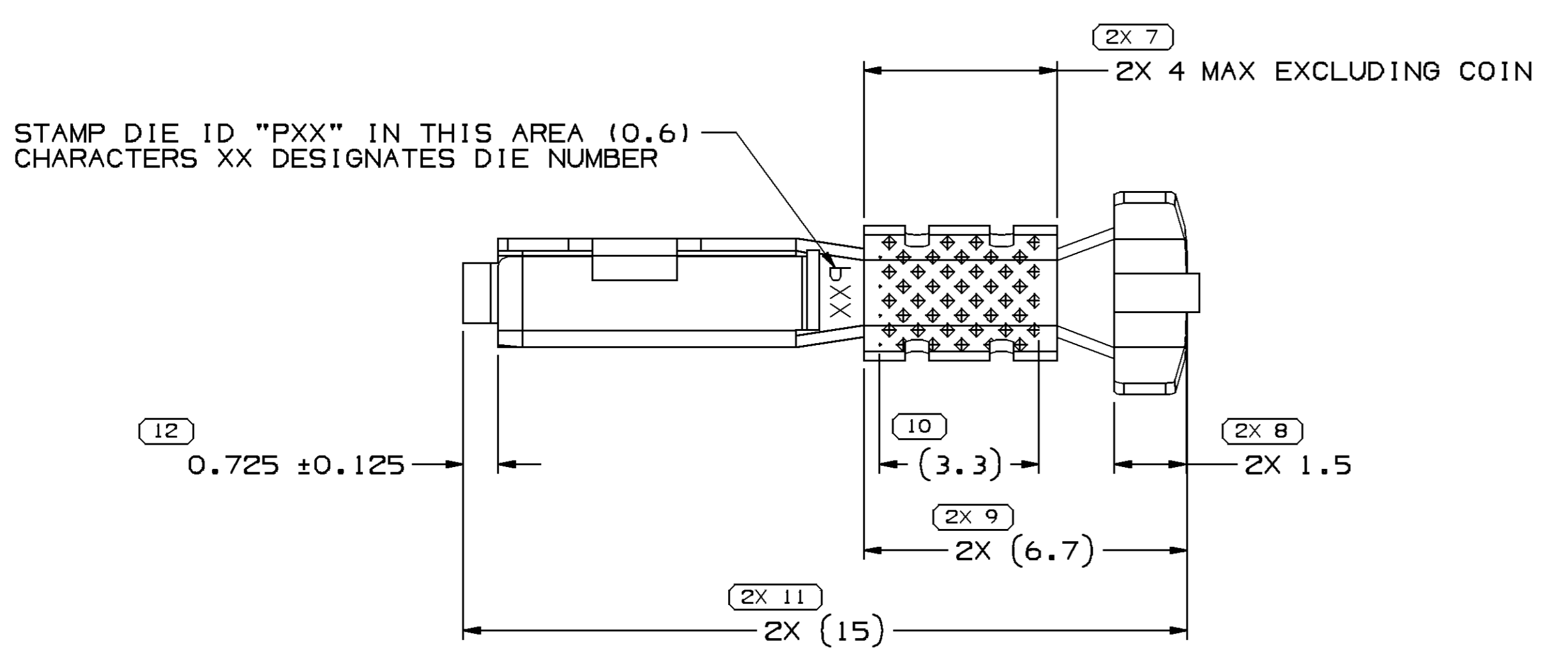
DWG STATUS				REVISION HISTORY				AUTH			
DATE	STG	REV	N/P	CHG	ZONE				DR	AP/VD	AP/VD
05APO0	R	01	-	-		CLEARED REV COLUMN & "SHT 1 OF 6" WAS "SHT 1 OF 5"	000005	FMD	FKV	CD	
110C00	R	02	-	-		12052466 - REVISED CORE WING ATTRIBUTE FROM SKIVE TO STAMP SERRATION, REVISED MATERIAL SPEC FROM P2604A8W TO P3606A59	203713	JMR	JMR	LF	
24SE01	R	03	-	-		120664971 - ADDED TO CUSTOMER PART DRAWING	213895	AKJ	AKJ	DS	
23MY02	R	04	-	-		REMOVED CUSTOMER STAMP FOR PART NUMBER 12047767	227770	JEB	JEB	DS	
12DE01	R	05	-	-		15305306 - REVISED REV LEVEL	218490	RAO	GEG	GMC	
17SE03	R	06	-	-		12047767 - UPDATED PDM ATTRIBUTES	245985	ADK	BB	TM	
140C03	R	07	-	-		15317766, 15305306, 12064971, 12047687 - MATERIAL SPEC WAS M3604A59	245588	ADK	TLD	BB	
17FE04	-	08	-	-		12047767, 12052466, 12064971, 12160812, 15305306 & 15317766 - T.O.D. UPDATED	250621	JS	JS	BB	
190C04	R	09	-	-		12064971, 15317766, 15305306, 12160812, 12052466 & 12047767 - ADDED TERMINAL ID NOTE	260108	CTR	JVM	MKM	
13JA05	R	10	-	-		12047767 - UPDATED PDM ATTRIBUTES	262266	HAM	MDM	BDG	
17MR05	R	11	-	-		ALL ACTIVE PARTS - UPDATED PDM ATTRIBUTES	265692	AKJ	AKJ	BDG	
20APOS	R	12	-	-		12047767 - MAT'L SPEC WAS M3604A59	267141	MDH	FRG	BDG	
21JUL05	R	13	-	-		12047767 & 12064971 - CREATED NISSAN CUSTOMER PART DRAWING	265749	RTV	AUG	TAY	
27SE05	R	14	-	-		15317766, 15305306, 12160812, 12064971, 12052466 & 12047767 - ADDED EXCLUDING COIN TO DIM 6	269136	RTV	FRG	MKM	
09MR06	R	15	-	-		12047767, 12052466 & 12064971 - UPDATED PDM ATTRIBUTES	276509	JBD	AUG	JES	
16JN06	R	16	-	-		ALL ACTIVE PARTS - PSD WAS #6 & DIM #2 WAS 2.45 MAX	281779	JTZ	JVM	BDG	



TYPE 102
SAME AS TYPE 101
EXCEPT AS SHOWN

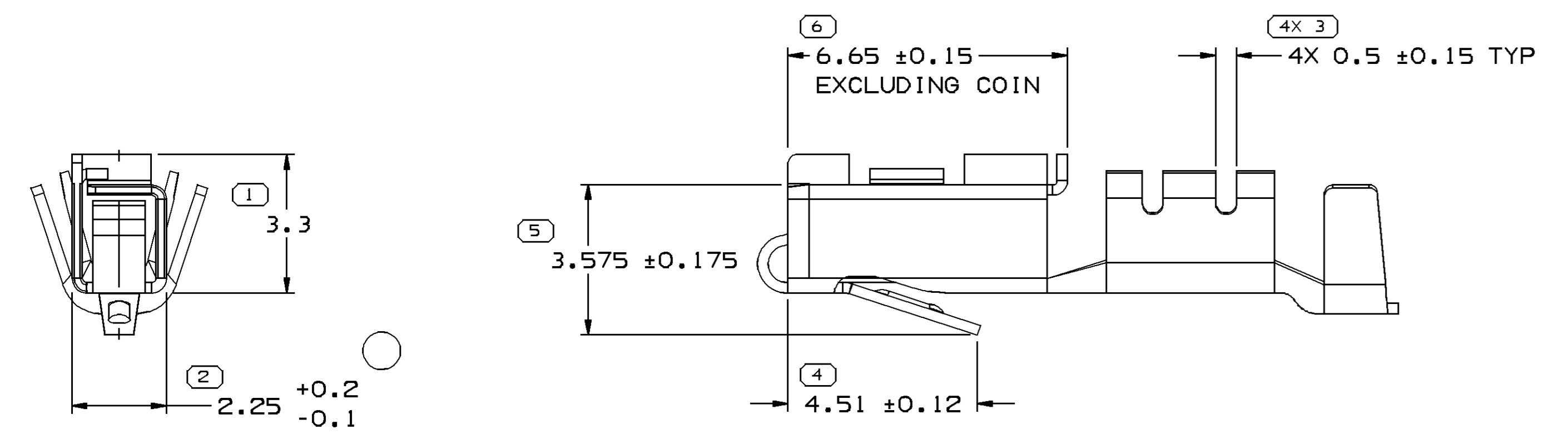
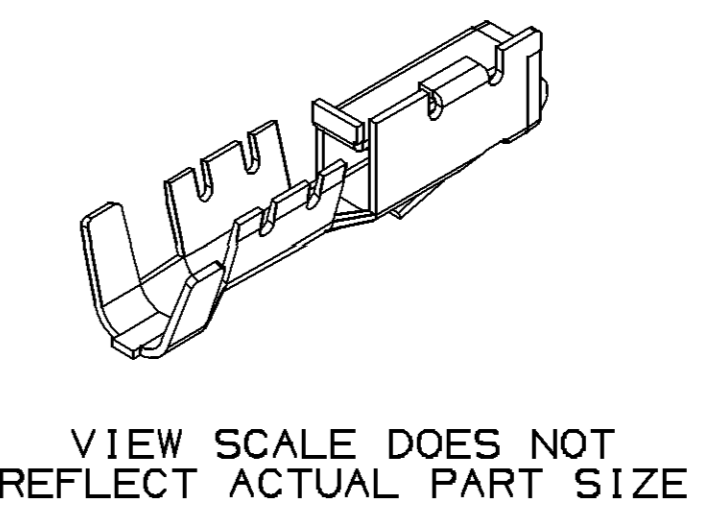
TYPE 103
SAME AS TYPE 101
EXCEPT AS SHOWN

TYPE 104
SAME AS TYPE 101
EXCEPT AS SHOWN



SCALE 5:1

CARRIER STRIP VIEW



TYPE 101

- NOTES:
- UNLESS OTHERWISE SPECIFIED AND/OR INDICATED:
DIMENSIONS ARE TO FACE OF VIEW SHOWN AND AUTOMATICALLY ROUNDED BY COMPUTER FOR INSPECTION. (SEE MATH MODEL FOR PRECISE DIMENSION) FOR ALL OTHER DIMENSIONS NOT SHOWN BUT REQUIRED FOR TOOL BUILD, SEE MATH MODEL FOR PRECISE TOOL PATH DATA.
 - TERMINAL ENGAGE 3N TO 10N TERMINAL DISENGAGE 1.5N TO 8N WHEN MATED TO A 0.81 THICK X 1.5 WIDE HARDENED STEEL BLADE.
 - "PXX" INDICATES "P" PLUS LAST TWO DIGITS OF MAKE SERIES NUMBER (P01, P02, P03, ETC).

PART NO	REV/N/P	STATUS	MAT'L SIZE	MAT'L SPEC	PART NO	REV/N/P	STATUS	MAT'L SPEC	SIZE (MM ²)	ID	CABLE	DIA	TYPE	F ±0.3	G ±0.2	R	(U)	(V)				
			0.25 X 29		15317766	03	AD		M3606A59	C65400	1/2	HD		0.5-0.35	21	1.3-1.2	101	2.3	2.1	10.08	-	-
			0.25 X 29		15305306	03	AD		M3606A59	C65400	1/2	HD		0.35-0.6	226		104	4.2	2.8	10.08	-	-
			0.25 X 29		12160812	03	AD		M3620CN6	C65400	1/2	HD		1-0.8-0.5	17	2.4-1.7	101	4.2	2.8	10.08	-	-
			0.25 X 29		12124730	B	-	OBSOLETE	M3606390	SIL BRONZE STRIP HALF HARD	ELECTRO TIN			1-0.8	17	2.4-1.7	101	4.2	2.8	10.08	-	-
			0.25 X 29		12064971	06	AF		M3606A59	C65400	1/2	HD		0.5-0.35	21	2.2-1.3	101	3.5	2.1	10.08	-	2.1
			0.25 X 29		12052466	07	AE		M3606A59	C65400	1/2	HD		0.2	24	1.2	104	2.6	1.5 ±0.1	10.08	-	-
12047883	A1	OBSOLETE	0.25 X 30.18	M3604390 SILICON BRONZE STRIP 1/2 HARD CD-654	12048160	F1	-	OBSOLETE	M3606390	SIL BRONZE STRIP HALF HARD	ELECTRO TIN			1	16	2.64-2.48	103	4.7	3.6	10.08	-	-
			0.25 X 29		12047767	11	AH		M3606A59	C65400	1/2	HD		1-0.8	17	2.4-1.7	101	4.2	2.8	10.08	3	2.6
			0.25 X 30.18		12047687	F1	-	OBSOLETE	M3606A59	C65400	1/2	HD		0.35	22	2-1.84	101	3.4	2.2	10.08	-	-

UNPLATED				PLATED				CABLE		TYPE		F ±0.3		G ±0.2		R		(U)		(V)	

UNLESS OTHERWISE SPECIFIED
DIMENSIONS ENCLOSED IN () INDICATE REFERENCE DIMENSIONS AND NO TOLERANCE LIMITS ARE ESTABLISHED

ALL DIMENSIONS ARE IN MILLIMETERS

THIRD ANGLE PROJECTION

DO NOT SCALE

USE MATH DATA

UNIMAPHICS

DELPHI

DELPHI PACKARD ELECTRIC SYSTEMS
WARREN, OH

DR: G. LIMON A.
APV02: FRANCISCO KOPCA
APV03: T. DUTTLE
APV04:
APV05:

DATE: 26AUG96
26AUG96
220C96

DR: TAXI TERM F/M/P 150 TANG

DRAWING NUMBER: 12047884

SCALE: 10:1
FRAME NO: 1 OF 2
SHEET NO: 1 OF 7
REV: R
N/P: 16

DATE: 12/27/94 10:50:01 AM
DWT: 12047884-00501-001
DATE: 03-04-08
TIME: 17:21