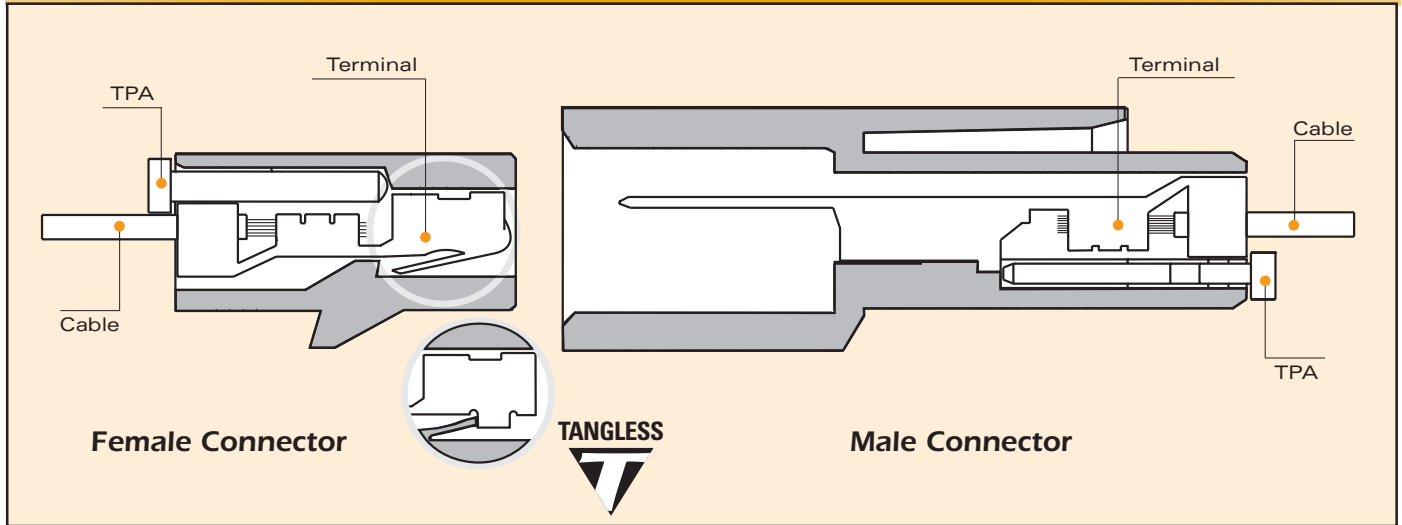




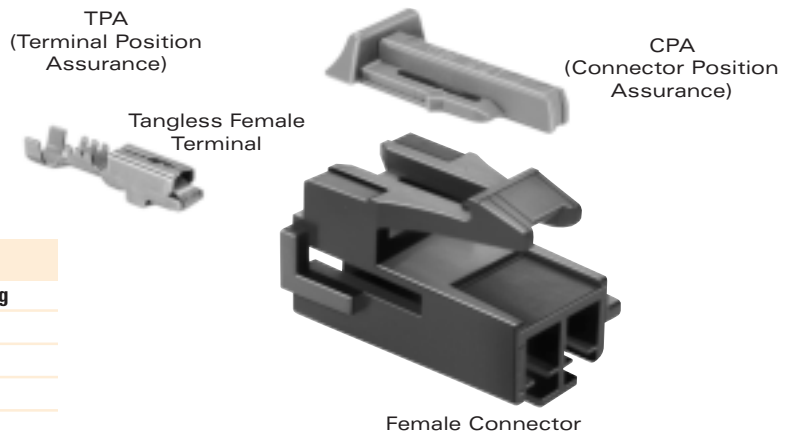
Cross Sectional View



280 TANGLESS FEMALE TERMINALS UNSEALED

Part #	Cable Range (mm ²)	Material	Plating
12129425	5.0	Tin Brass	Tin
12129663	3.0	Tin Brass	Tin
12129424	2.0-1.0	Tin Brass	Tin
12110842*	3.0-2.0	Tin Brass	Tin
12110844*	1.0-0.80	Tin Brass	Tin
12110843*	0.50-0.35	Tin Brass	Tin
12129061*	0.35 (2 Req'd.)	Tin Brass	Tin

*Thin Stock—Electrical current restrictions apply, contact your regional support representative at the number listed below.



Female Connector



280 FEMALE TERMINALS UNSEALED

Part #	Cable Range (mm ²)	Material	Plating
12015858	5.0	Tin Brass	Tin
12129494	3.0-2.0	Tin Brass	Tin
12066214	2.0-1.0	Tin Brass	Tin
12034046	1.0-0.80	Tin Brass	Tin
12052217	0.50-0.35	Tin Brass	Tin
12162597*	3.0-2.0	Tin Brass	Tin
12162595*	1.0-0.80	Tin Brass	Tin
12162596*	0.50-0.35	Tin Brass	Tin

*Thin Stock—Electrical current restrictions apply, contact your regional support representative at the number listed below.

280 FLEXLOCK FEMALE CONNECTORS UNSEALED

# Cavities	Connector	Color	Material	TPA
2	12129081	Black	PA66 HS IM	12129083
3	12129489	Black	PA66 HS IM	12129491
4	12129136	Black	PA66 HS IM	12129138

280 FEMALE CONNECTORS UNSEALED

# Cavities	Connector	Color	Material	TPA
6	12064752	Black	PA66 HS IM	12064753
8	12064998	Black	PBT	12064999

<http://delphi.com/products/connect>