



MAG-MATE

TE Internal #: 1217355-1

Magnet Wire Terminals, Poke-In, Size 4, 1.29 – 1.45 mm Magnet Wire, 16 – 15 AWG Magnet Wire, Insulation Displacement (IDC), Tin Plating, MAG-MATE

[View on TE.com >](#)

Terminals & Splices > Magnet Wire Terminals



Magnet Wire Terminal Type: **Poke-In**

Compatible With Cavity Size: **Size 4**

Magnet Wire Size: **16 – 15 AWG**

Termination Method to Wire & Cable: **Insulation Displacement (IDC)**

Features

Product Type Features

Compatible With Discrete Wire Type	Magnet Wire, Solid
Sealable	No

Body Features

Compatible With Cavity Size	Size 4
-----------------------------	--------

Contact Features

Magnet Wire Terminal Type	Poke-In
Terminal Plating Material	Tin
Contact Underplating Material	Nickel
Terminal Orientation	Twisted

Termination Features

Termination Method to Wire & Cable	Insulation Displacement (IDC)
------------------------------------	-------------------------------

Dimensions

Terminal Height	12.83 mm[.505 in]
Magnet Wire Size	16 – 15 AWG



Stock Thickness (Magnet Wire Side)	.4 mm[.016 in]
Overall Product Length	13.08 mm[.514 in]

Usage Conditions

Insulation Option	Uninsulated
-------------------	-------------

Operation/Application

Compatible With Wire Base Material	Copper
------------------------------------	--------

Packaging Features

Packaging Method	Reel, Reel/Carton
------------------	-------------------

Other

Comment	Two magnet wires may be terminated in the same terminal slot if diameters are equal., With strain relief.
---------	---

Product Compliance

[For compliance documentation, visit the product page on TE.com>](#)

EU RoHS Directive 2011/65/EU	Compliant
EU ELV Directive 2000/53/EC	Compliant
China RoHS 2 Directive MIIT Order No 32, 2016	No Restricted Materials Above Threshold
EU REACH Regulation (EC) No. 1907/2006	Current ECHA Candidate List: JAN 2022 (223) Candidate List Declared Against: JAN 2022 (223) Does not contain REACH SVHC
Halogen Content	Low Halogen - Br, Cl, F, I < 900 ppm per homogenous material. Also BFR/CFR/PVC Free
Solder Process Capability	Not applicable for solder process capability

Product Compliance Disclaimer

This information is provided based on reasonable inquiry of our suppliers and represents our current actual knowledge based on the information they provided. This information is subject to change. The part numbers that TE has identified as EU RoHS compliant have a maximum concentration of 0.1% by weight in homogenous materials for lead, hexavalent chromium, mercury, PBB, PBDE, DBP, BBP, DEHP, DIBP, and 0.01% for cadmium, or qualify for an exemption to these limits as defined in the Annexes of Directive 2011/65/EU (RoHS2). Finished electrical and electronic equipment products will be CE marked as required by Directive 2011/65/EU. Components may not be CE marked. Additionally, the part numbers that TE has identified as EU ELV compliant have a maximum concentration of 0.1% by weight in homogenous materials for lead, hexavalent chromium, and mercury, and 0.01% for cadmium, or qualify for an exemption to these limits as defined in the Annexes of Directive 2000/53/EC (ELV). Regarding the REACH Regulation, the information TE provides on SVHC in articles for this part number is based on the latest European Chemicals Agency (ECHA) 'Guidance on requirements for substances in articles' posted at this URL: <https://echa.europa.eu/guidance-documents/guidance-on-reach>



Compatible Parts



TE Part # 1217688-1
 SPECIAL LEAF CONTACT,300 SERIE



TE Part # 1217082-1
 TERM MAG-MATE 25-22 016 Tpphbz



TE Part # 1217356-1
 MAG-MATE TERM 19-17 0157 TPNBR



TE Part # 1217357-1
 MAG-MATE TERM 21-19 0157 TPNBR



TE Part # 1217358-1
 MAG-MATE TERM 23-21 0157 TPNBR



TE Part # 1217689-1
 SPECIAL LEAF CONTACT,300 SERIE



TE Part # 1718165-1
 MINI MAG MATE CONTACT (LEAF SPRING)



TE Part # 1742203-1
 SPEC LEAF CONT,500SER,MAG-MATE



TE Part # 1217068-1
 MAG-MATE TERMINAL 19-17 TPBR



TE Part # 1217690-1
 SPECIAL LEAF CONTACT,300 SERIE



TE Part # 1742404-1
 PIN,090 DIAM,500 SERIES,MAG-MA




TE Part # 63762-1
 MAG-MATE 187 FAST TAB 020 TPBR




TE Part # 63996-1
 MAG-MATE TAB 187FAST 16-15TPBR


Also in the Series | MAG-MATE



Insertion & Extraction Tools(8)

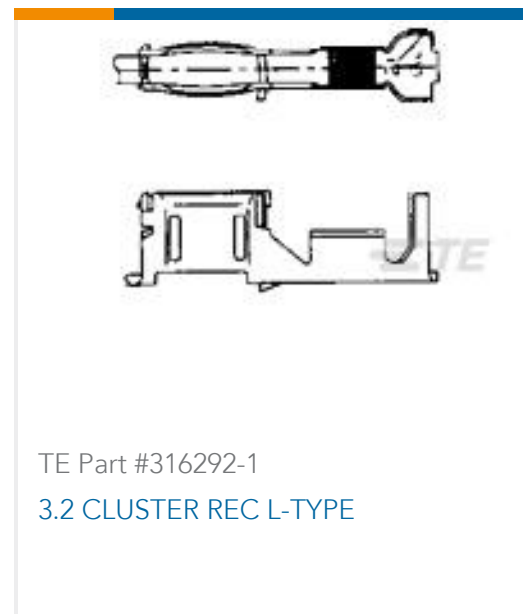


Magnet Wire Terminals(464)



PCB Terminals(1)

Customers Also Bought



Documents

Product Drawings

[MAG-MATE TERM 16-15 0157 TPNBR](#)

English

CAD Files

[3D PDF](#)

3D

Customer View Model

[ENG_CVM_CVM_1217355-1_D.2d_dxf.zip](#)

English

Customer View Model

[ENG_CVM_CVM_1217355-1_D.3d_igs.zip](#)

English

Customer View Model

[ENG_CVM_CVM_1217355-1_D.3d_stp.zip](#)

English

By downloading the CAD file I accept and agree to the [Terms and Conditions](#) of use.



Datasheets & Catalog Pages

Magnet Wire Terminals & Splices

English

Product Specifications

Application Specification

English

Product Environmental Compliance

Product Compliance

English

Product Compliance

English