

1217175-1 ✓ ACTIVE

TE Internal #: 1217175-1

Magnet Wire Terminals, Receptacle, Lead Wire Size 14 – 10 AWG, Lead Wire Size 2 – 5.2 mm², Crimp, Crimp Area Length 8.76 mm [.345 in], Tin Plating

[View on TE.com >](#)



Terminals & Splices > Magnet Wire Terminals



Magnet Wire Terminal Type: **Receptacle**

Mating Pin Diameter: **3.18 mm [.125 in]**

Accepts Wire Insulation Diameter (Max): **4.32 mm [.17 in]**

Accepts Wire Insulation Diameter Range: **3.3 – 4.32 mm [.13 – .17 in]**

Lead Wire Size: **14 – 10 AWG**

Features

Product Type Features

Wire Insulation Support Retention Type	Insulation Support
Compatible With Discrete Wire Type	Stranded
Sealable	No

Configuration Features

Compatible With Wire & Cable Type	Discrete Wire
-----------------------------------	---------------

Contact Features

Magnet Wire Terminal Type	Receptacle
Mating Pin Diameter	3.18 mm [.125 in]
Terminal Plating Material	Tin
Terminal Orientation	Straight

Termination Features

Termination Method to Wire & Cable	Crimp
Crimp Area Length	8.76 mm [.345 in]

Mechanical Attachment



Wire Insulation Support	With
-------------------------	------

Dimensions

Terminal Height	6.1 mm [.24 in]
Accepts Wire Insulation Diameter (Max)	4.32 mm [.17 in]
Accepts Wire Insulation Diameter Range	3.3 – 4.32 mm [.13 – .17 in]
Lead Wire Size	2 – 5.2 mm ²
Stock Thickness (Magnet Wire Side)	.51 mm [.02 in]
Overall Product Length	20.95 mm [.824 in]

Usage Conditions

Insulation Option	Uninsulated
-------------------	-------------

Operation/Application

Compatible With Wire Base Material	Copper
------------------------------------	--------

Packaging Features

Packaging Quantity	9000
Packaging Method	Reel

Other

Comment	High Retention Force
---------	----------------------

Product Compliance

[For compliance documentation, visit the product page on TE.com>](#)

EU RoHS Directive 2011/65/EU	Compliant
EU ELV Directive 2000/53/EC	Compliant
China RoHS 2 Directive MIIT Order No 32, 2016	No Restricted Materials Above Threshold
EU REACH Regulation (EC) No. 1907/2006	Current ECHA Candidate List: JAN 2022 (223) Candidate List Declared Against: JAN 2022 (223) Does not contain REACH SVHC
Halogen Content	Low Halogen - Br, Cl, F, I < 900 ppm per homogenous material. Also BFR/CFR/PVC Free
Solder Process Capability	Not applicable for solder process capability

Product Compliance Disclaimer

This information is provided based on reasonable inquiry of our suppliers and represents our current actual knowledge based on the information they provided. This information is subject to change. The part numbers that TE has identified as EU RoHS compliant have a maximum concentration of 0.1% by weight in homogenous materials for lead, hexavalent chromium, mercury, PBB, PBDE, DBP, BBP, DEHP, DIBP, and 0.01% for cadmium, or qualify for an exemption to these limits as defined in the Annexes of Directive 2011/65/EU (RoHS2). Finished electrical and electronic equipment products will be CE marked as required by Directive 2011/65/EU. Components may not be CE marked. Additionally, the part numbers that TE has identified as EU ELV compliant have a maximum concentration of 0.1% by weight in homogenous materials for lead, hexavalent chromium, and mercury, and 0.01% for cadmium, or qualify for an exemption to these limits as defined in the Annexes of Directive 2000/53/EC (ELV). Regarding the REACH Regulation, the information TE provides on SVHC in articles for this part number is based on the latest European Chemicals Agency (ECHA) 'Guidance on requirements for substances in articles' posted at this URL: <https://echa.europa.eu/guidance-documents/guidance-on-reach>

Compatible Parts



TE Part # 360052-1
125 DIA CLSTR BLK



TE Part # 360051-1
CLUSTER BLOCK



TE Part # 520995-1
.125 CLUSTER BLOCK HSG



TE Part # 1217186-1
CLUSTER BLOCK HOUSING



TE Part # 1217200-1
CLUSTER BLOCK HOUSING



TE Part # 1-1742539-3
CLUSTER BLOCK RECEPT,TPCuFeP



TE Part # 1217261-1
HSG .125 CLUSTER BLOCK NAT



TE Part # 1217181-1
CLUSTER BLOCK HSG.



TE Part # 1217187-1
CLUSTER BLOCK HOUSING



TE Part # 2-2150368-2
OCEAN_2.0_Applicator-E-140F180F



TE Part # 2150368-2
OCEAN_2.0_Applicator-E-140F180F



TE Part # 7-2150368-2
OCEAN_2.0_Applicator-E-140F180F



KIT
REPRESENTATION ONLY

TE Part # 7-2150368-7
OCEAN_2.0_SPARE_PART_KIT-140F180F



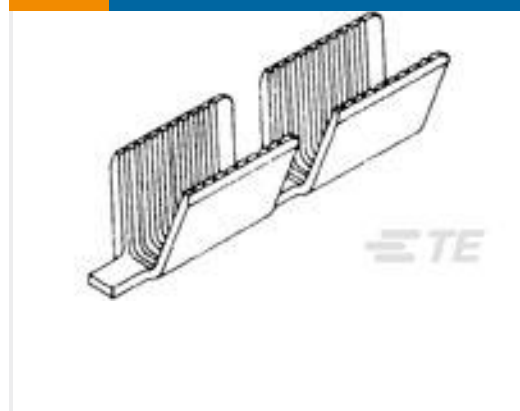
Customers Also Bought



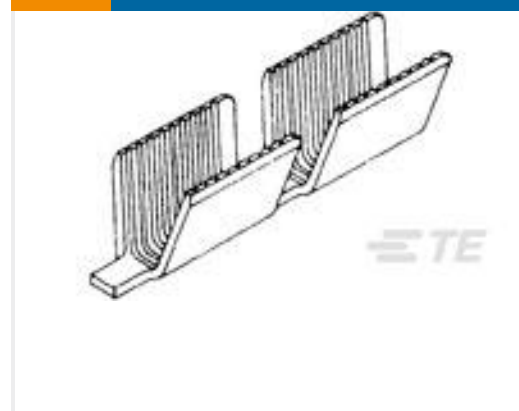
TE Part #42563-8
250 FASTON FLAG REC 12-10 AWG
TPBZ



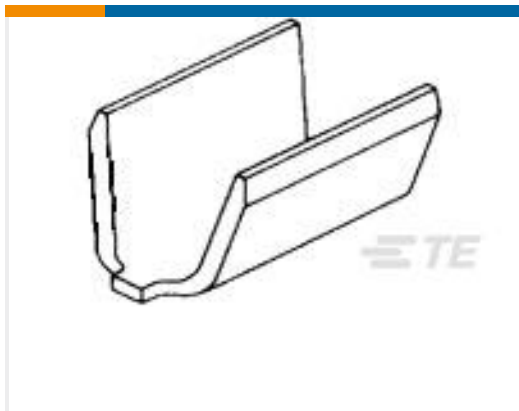
TE Part #1217176-1
CLUSTER BLOCK RECPT.



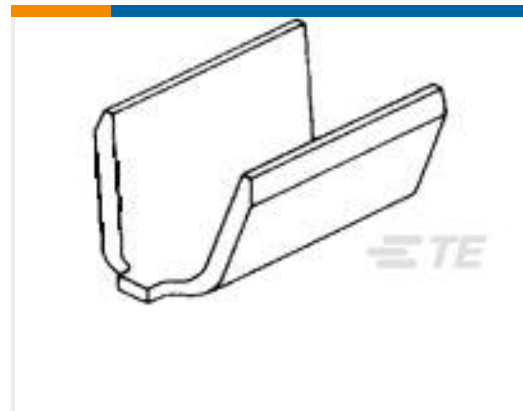
TE Part #62310-2
AMVAR SPLC 7000-13000 025TPBR



TE Part #62308-2
AMVAR SPLC 3000-7000 020TPBR




TE Part #60932-2
SPLICE 2500-4700 .020 TPST




TE Part #485020-1
SPLICE 6000-8000 .020 TPST



TE Part #2280515-1
DAQ MODULE ASSEMBLY



TE Part #354005-1
BLADE, SHEAR



TE Part #354005-3
BLADE, SHEAR

Documents

Product Drawings

[CLUSTER BLOCK RECPT.](#)

English

CAD Files

Customer View Model

[ENG_CVM_CVM_1217175-1_R.2d_dxf.zip](#)

English

3D PDF

3D

Customer View Model

[ENG_CVM_CVM_1217175-1_R.3d_igs.zip](#)

English

Customer View Model

[ENG_CVM_CVM_1217175-1_R.3d_stp.zip](#)

English

By downloading the CAD file I accept and agree to the [Terms and Conditions](#) of use.



Datasheets & Catalog Pages

Magnet Wire Terminals & Splices

English

Product Specifications

Application Specification

English

Product Environmental Compliance

MD_1217175-1_05302017516_dmtec

English

MD_1217175-1_05302017516_dmtec

English