

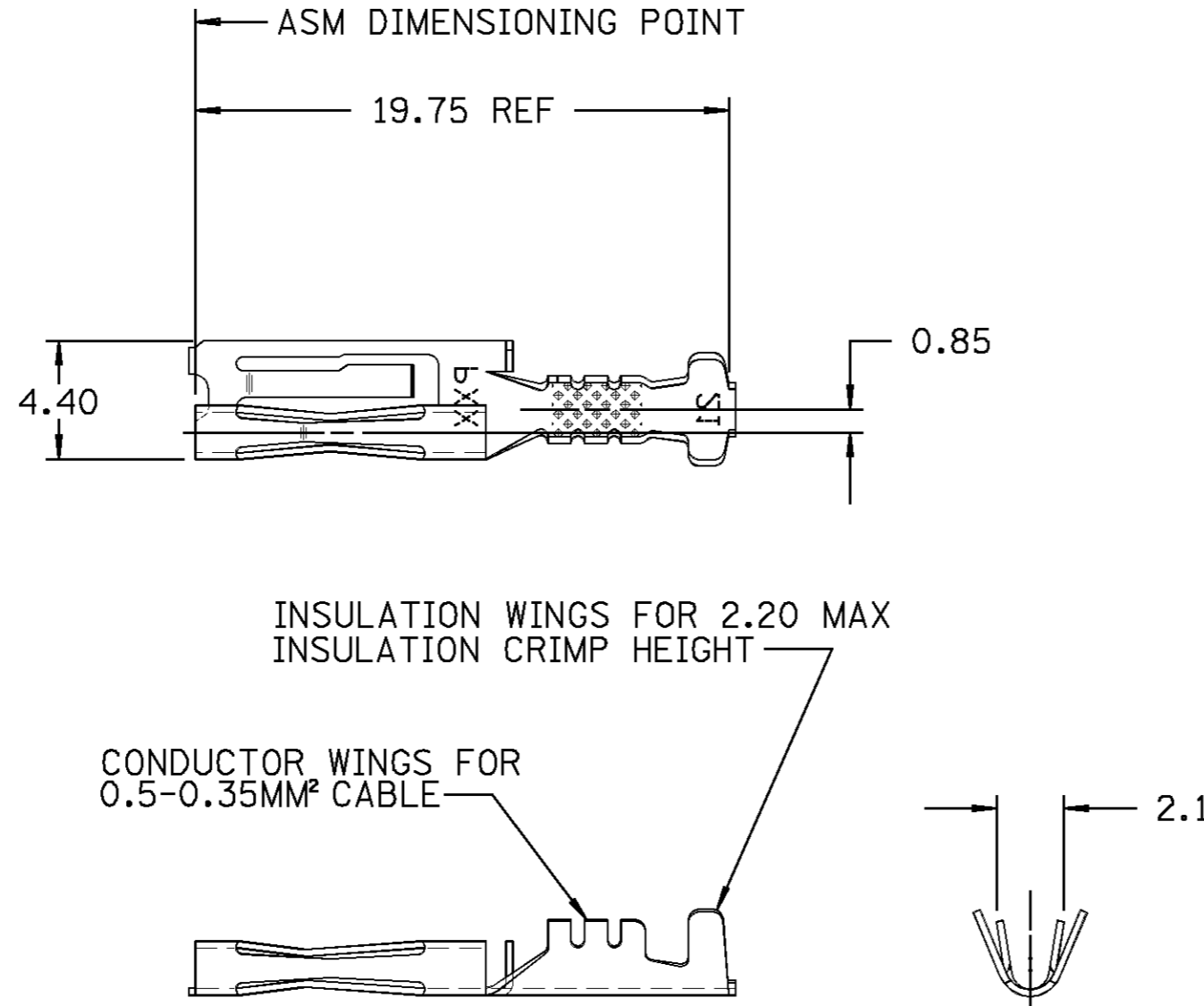
PACKARD ELECTRIC DIVISION
 GENERAL MOTORS CORPORATION
 WARREN, OHIO

D

THIS DRAWING AND DESIGN HEREON CONSTITUTES A PROPRIETARY DESIGN OF PACKARD ELECTRIC DIVISION AND IS NOT TO BE DUPLICATED OR REPRODUCED WITHOUT AUTHORITY OF PACKARD ELECTRIC DIVISION.

DO NOT SCALE

PART NO.
 1208 9660



A

- NOTES** — 1. MATING PIN 12020762 OR EQUIVALENT.
 2. DIMENSIONS MARKED "REF" ARE FOR REFERENCE ONLY AND NO TOLERANCE LIMITS ARE ESTABLISHED.

DATE	SYM	REVISION RECORD	AUTHORITY	DR	CK
13AP89	A	RELEASED	890005	CDH	CDH
03N089	—	REVISED GRAPHICS	131127	BDG	BDG
29MY90	—	GRAPHICS REVISED	134292	ATL	ATL
14MY91	—	REMOVED 5.00 - 2 PLCS, 4.00 - 2 PLCS			
		CONTACT LINES A & B	142309	JK	
09DE92	-	REVISED GRAPHICS	152070	BKD	BKD

PED/INTEGRAL <small>EMS</small>		FILE SPEC: ***USER*** DGN SPECIFICATION ***** *****SYTIME*****
THIRD ANGLE PROJECTION 		METRIC DIMENSIONS ARE IN MILLIMETERS UNLESS OTHERWISE SPECIFIED.
CODE NO. 6900	TOLERANCE UNLESS OTHERWISE SPECIFIED DECIMAL: ANGULAR ± 2° ONE PLACE ± 0.2 TWO PLACE ± 0.10	
Q.C. DWG. DATE 13AP89	SCALE NONE	DR. CRAIG D. HOOPES 13AP89
EST. NO.	CK. CRAIG D. HOOPES	DATE 13AP89
REFERENCE NO. SHEET #2 12020760 "E" SIZE	APPR. R. KEARNS	DATE 18AP89
MATERIAL SPEC. 0.25 THK SILICON BRONZE - TIN PLATED		
NAME TERM F MIC/P 100		
PART NO. 1208 9660 OUTLINE DRAWING		SIZE B