



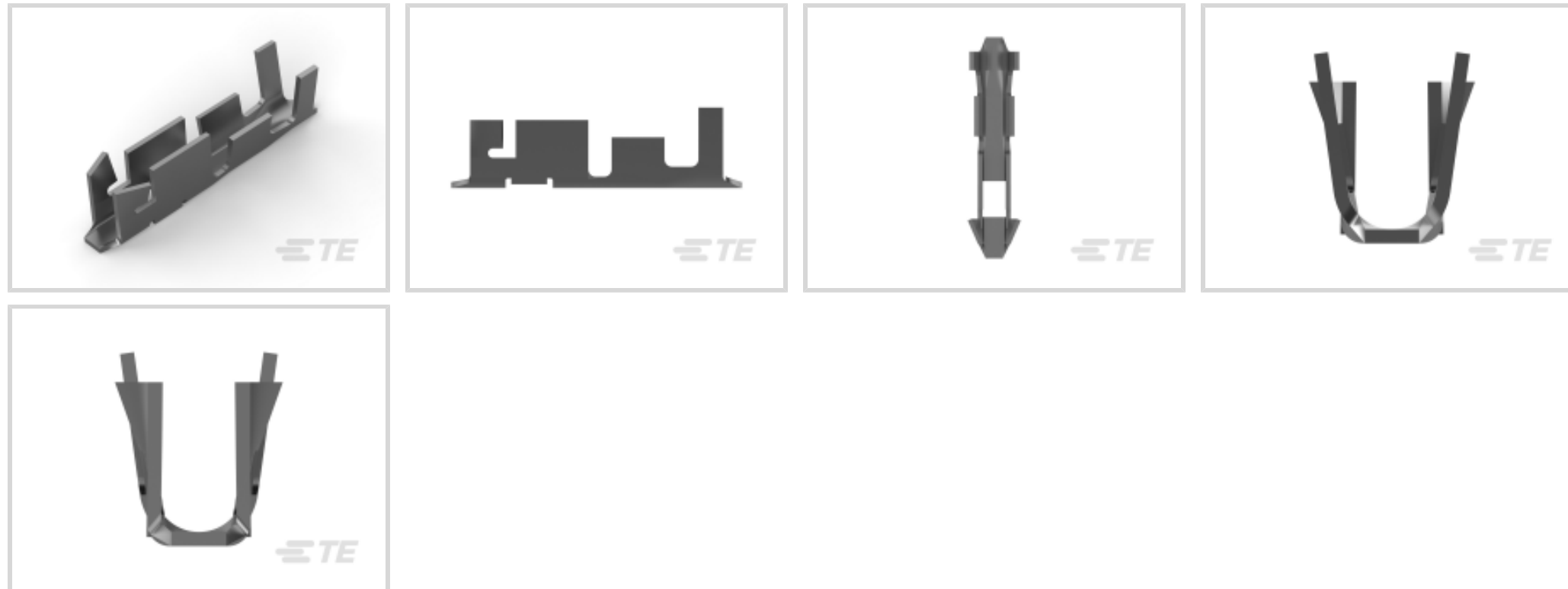
ProductFamilies

TE Internal #: 1217264-1

Magnet Wire Terminals, Receptacle, Lead Wire Size 22 – 14 AWG, Lead Wire Size .32 – 2 mm², Crimp, Crimp Area Length 7.49 mm [.295 in], Tin Plating

[View on TE.com >](#)

Terminals & Splices > Magnet Wire Terminals



Magnet Wire Terminal Type: **Receptacle**

Mating Pin Diameter: **2.29 mm [.09 in]**

Accepts Wire Insulation Diameter (Max): **3.81 mm [.15 in]**

Accepts Wire Insulation Diameter Range: **2.03 – 3.81 mm [.08 – .15 in]**

Lead Wire Size: **22 – 14 AWG**

Features

Product Type Features

Wire Insulation Support Retention Type	Insulation Support
Compatible With Discrete Wire Type	Stranded
Sealable	No

Configuration Features

Compatible With Wire & Cable Type	Discrete Wire
-----------------------------------	---------------

Contact Features

Magnet Wire Terminal Type	Receptacle
Mating Pin Diameter	2.29 mm [.09 in]
Terminal Plating Material	Tin
Terminal Orientation	Straight

Termination Features

Termination Method to Wire & Cable	Crimp
Crimp Area Length	7.49 mm [.295 in]



Mechanical Attachment

Wire Insulation Support	With
-------------------------	------

Dimensions

Terminal Height	4.57 mm[.18 in]
Accepts Wire Insulation Diameter (Max)	3.81 mm[.15 in]
Accepts Wire Insulation Diameter Range	2.03 – 3.81 mm[.08 – .15 in]
Lead Wire Size	.32 – 2 mm ²
Stock Thickness (Magnet Wire Side)	.39 mm[.016 in]
Overall Product Length	17.5 mm[.688 in]

Usage Conditions

Insulation Option	Uninsulated
-------------------	-------------

Operation/Application

Compatible With Wire Base Material	Copper
------------------------------------	--------

Packaging Features

Packaging Quantity	17000
Packaging Method	Package

Other

Comment	High Retention Force
---------	----------------------

Product Compliance

[For compliance documentation, visit the product page on TE.com>](#)

EU RoHS Directive 2011/65/EU	Compliant
EU ELV Directive 2000/53/EC	Compliant
China RoHS 2 Directive MIIT Order No 32, 2016	No Restricted Materials Above Threshold
EU REACH Regulation (EC) No. 1907/2006	Current ECHA Candidate List: JAN 2022 (223) Candidate List Declared Against: JAN 2022 (223) Does not contain REACH SVHC
Halogen Content	Low Halogen - Br, Cl, F, I < 900 ppm per homogenous material. Also BFR/CFR/PVC Free
Solder Process Capability	Not applicable for solder process capability

Product Compliance Disclaimer

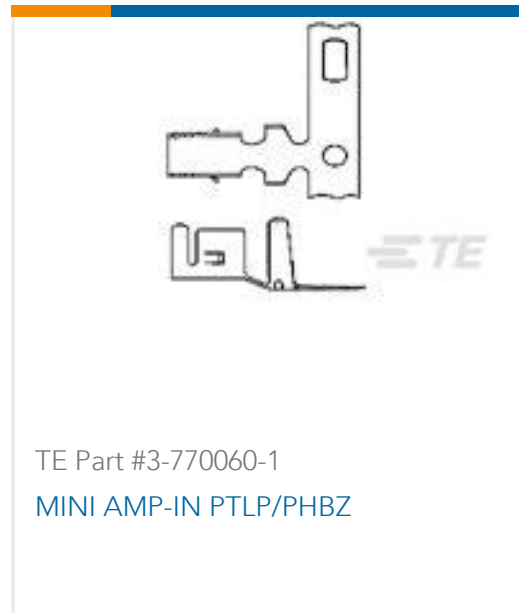
This information is provided based on reasonable inquiry of our suppliers and represents our current actual knowledge based on the information they provided. This information is subject to change. The part numbers that TE has identified as EU RoHS compliant have a maximum concentration of 0.1% by weight in homogenous materials for lead, hexavalent chromium, mercury, PBB, PBDE, DBP, BBP, DEHP, DIBP, and 0.01% for cadmium, or qualify for an exemption to these limits as defined in the Annexes of Directive 2011/65/EU (RoHS2). Finished electrical and electronic equipment products will be CE marked as required by Directive 2011/65/EU. Components may not be CE marked. Additionally, the part numbers that TE has identified as EU ELV compliant have a maximum concentration of 0.1% by weight in homogenous materials for lead, hexavalent chromium, and mercury, and 0.01% for cadmium, or qualify for an exemption to these limits as defined in the Annexes of Directive 2000/53/EC (ELV). Regarding the REACH Regulation, the information TE provides on SVHC in articles for this part number is based on the latest European Chemicals Agency (ECHA) 'Guidance on requirements for substances in articles' posted at this URL: <https://echa.europa.eu/guidance-documents/guidance-on-reach>

Compatible Parts

 <p>TE Part # 360050-1 090 DIA CLSTR BLK</p>	 <p>TE Part # 880631-5 CLUSTER BLOCK HSG .090 DIA</p>	 <p>TE Part # 1955415-1 3P CLUSTER BLOCK HOUSING</p>	 <p>TE Part # 2232327-1 CLUSTER BLOCK HSG .090 DIA</p>
 <p>TE Part # 284406-3 CLUSTER BLOCK HSG .090 DIA. RE</p>	 <p>TE Part # 1380145-1 CLUSTER BLOCK HSG. .090 DIA.</p>	 <p>TE Part # 2232326-1 CLUSTER BLOCK HSG .090 DIA</p>	 <p>TE Part # 281006-4 CLUSTER BLOCK .090 DIA.</p>
 <p>TE Part # 1217262-1 HSG .090 CLUSTER BLOCK NAT</p>	 <p>TE Part # 360033-1 090 DIA CLSTR BLK</p>	 <p>TE Part # 1217263-1 HSG .090 CLUSTER BLOCK NAT</p>	 <p>TE Part # 1380145-2 CLUSTER BLOCK HSG .090 DIA</p>
 <p>TE Part # 141101-2 RECEPT CLUSTER</p>	 <p>TE Part # 2-2150892-2 OCEAN_2.0_APPLICATOR-E-100F130F</p>	 <p>TE Part # 2150892-2 OCEAN_2.0_APPLICATOR-E-100F130F</p>	 <p>TE Part # 2232326-2 CLUSTER BLOCK HSG .090 DIA</p>



Customers Also Bought



Documents

Product Drawings

[RCPT 090 CLSTR PIN 22-14](#)

English

CAD Files

[3D PDF](#)

[3D](#)

[Customer View Model](#)

[ENG_CVM_CVM_1217264-1_H_c-1217264-1-h.2d_dxf.zip](#)



English

Customer View Model

[ENG_CVM_CVM_1217264-1_H_c-1217264-1-h.3d_igs.zip](#)

English

Customer View Model

[ENG_CVM_CVM_1217264-1_H_c-1217264-1-h.3d_stp.zip](#)

English

By downloading the CAD file I accept and agree to the [Terms and Conditions](#) of use.

Datasheets & Catalog Pages

[Magnet Wire Terminals & Splices](#)

English

Product Specifications

[Application Specification](#)

English

Product Environmental Compliance

[Product Compliance](#)

English

[Product Compliance](#)

English