



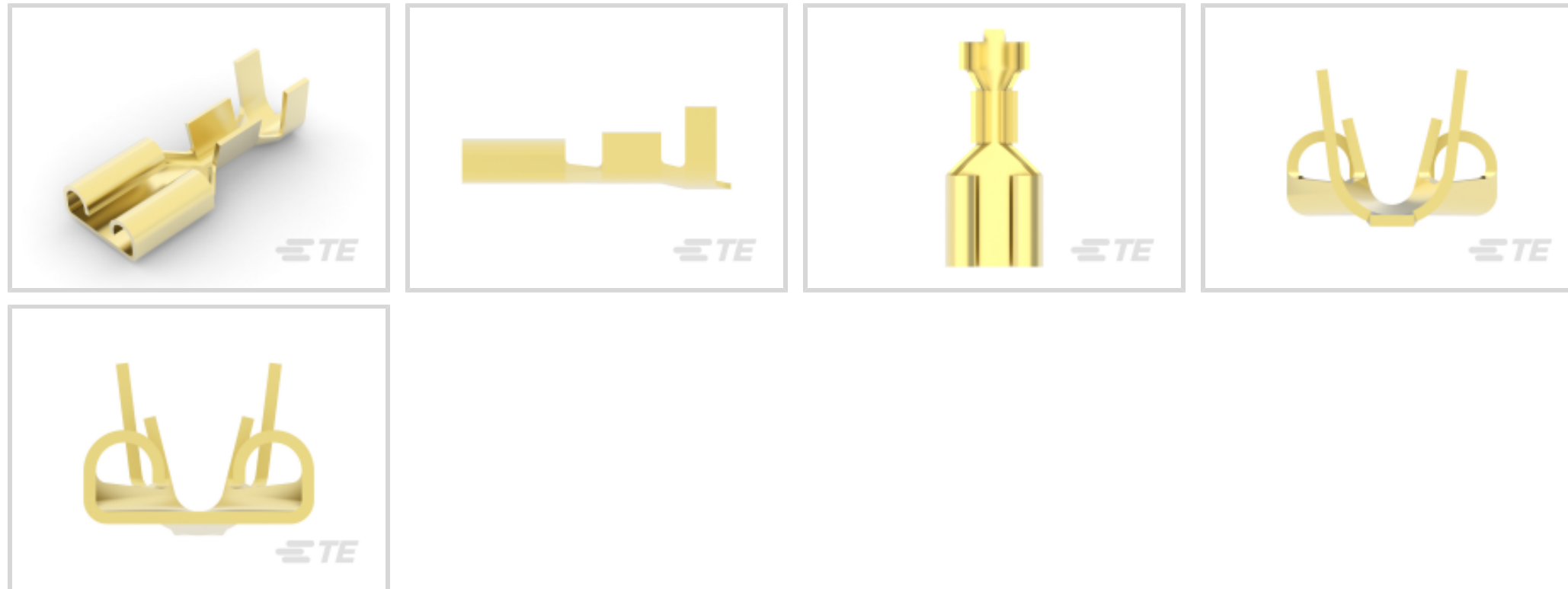
AMPLIVAR

TE Internal #: 1217835-1

Quick Disconnects, Receptacle, 18 – 14 AWG Wire Size, .82 – 2.08 mm² Wire Size, Mating Tab Width .25 in [6.35 mm], Straight, Brass, AMPLIVAR

[View on TE.com >](#)

Terminals & Splices > Quick Disconnects



Quick Disconnect Terminal Type: **Receptacle**

Wire Size: **.82 – 2.08 mm²**

Mating Tab Width: **6.35 mm [.25 in]**

Mating Tab Thickness: **.81 mm [.032 in]**

Features

Product Type Features

Terminates To	Wire & Cable
Wire Stop	No
Wire/Cable Type	Magnet Wire
Insertion Force	Low

Configuration Features

Connection Capacity	Single
---------------------	--------

Contact Features

Quick Disconnect Terminal Type	Receptacle
Mating Tab Width	6.35 mm[.25 in]
Mating Tab Thickness	.81 mm[.032 in]
Terminal Orientation	Straight
Contact Base Material	Brass
Terminal Plating Material	Unplated
Crimp Type	F-Crimp
Barrel Type	Open

Mechanical Attachment

Mating Retention Type	Dimple
Wire Insulation Support	With

Dimensions

Accepts Wire Insulation Diameter Range	3.1 – 4.3 mm [.12 – .17 in]
Overall Length	17.53 mm [.7 in]
Receptacle Terminal Stock Thickness	4.06 mm [.16 in]
Wire Size	.82 – 2.08 mm ²

Usage Conditions

Insulation Option	Uninsulated
Operating Temperature Range	-65 – 150 °C [-85 – 302 °F]

Industry Standards

UL Rating	Listed
CSA Certified	Yes

Packaging Features

Packaging Quantity	1000
Packaging Method	Strip

Product Compliance

[For compliance documentation, visit the product page on TE.com>](#)

EU RoHS Directive 2011/65/EU	Compliant
EU ELV Directive 2000/53/EC	Compliant
China RoHS 2 Directive MIIT Order No 32, 2016	No Restricted Materials Above Threshold
EU REACH Regulation (EC) No. 1907/2006	Current ECHA Candidate List: JAN 2022 (223) Candidate List Declared Against: JAN 2022 (223) Does not contain REACH SVHC
Halogen Content	Low Halogen - Br, Cl, F, I < 900 ppm per homogenous material. Also BFR/CFR/PVC Free
Solder Process Capability	Not applicable for solder process capability

Product Compliance Disclaimer

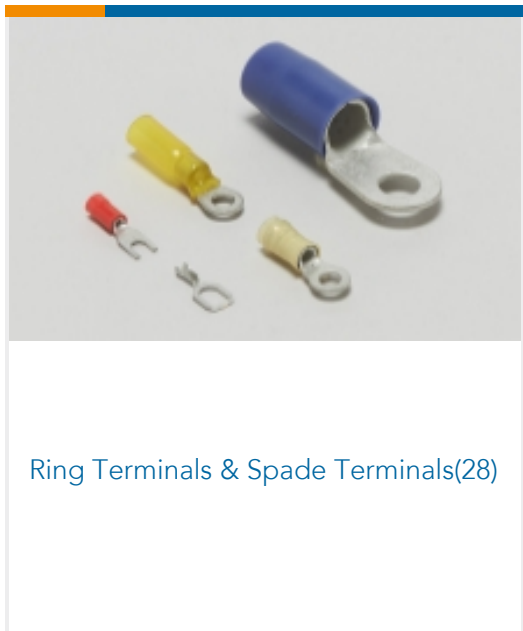
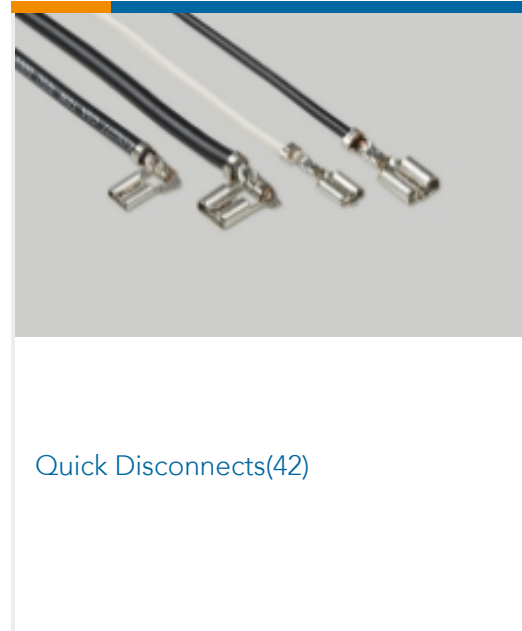
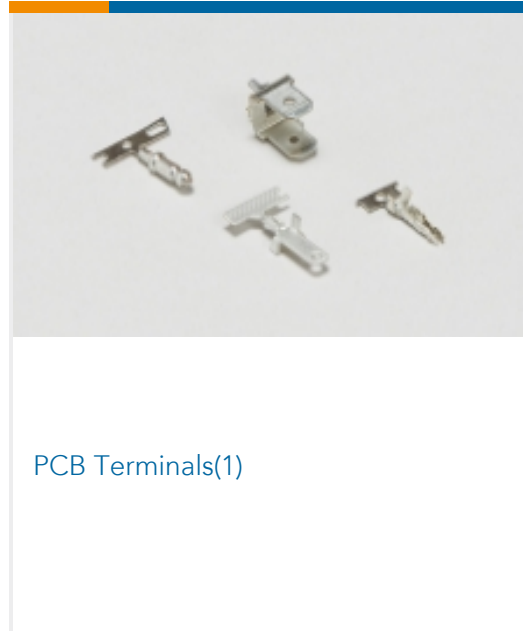
This information is provided based on reasonable inquiry of our suppliers and represents our current actual knowledge based on the information they provided. This information is subject to change. The part numbers that TE has identified as EU RoHS compliant have a maximum concentration of 0.1% by weight in homogenous materials for lead, hexavalent chromium, mercury, PBB, PBDE, DBP, BBP, DEHP, DIBP, and 0.01% for cadmium, or qualify for an exemption to these limits as defined in the Annexes of Directive 2011/65/EU (RoHS2). Finished electrical and electronic equipment products will be CE marked as required by Directive 2011/65/EU. Components may not be CE marked. Additionally, the part numbers that TE has identified as EU ELV compliant have a maximum concentration of 0.1% by weight in homogenous materials for lead, hexavalent chromium, and mercury, and 0.01% for cadmium, or qualify for an exemption to these limits as defined in the Annexes of Directive 2000/53/EC (ELV). Regarding the REACH Regulation, the information TE provides on SVHC in articles for this part number is based on the latest European Chemicals Agency (ECHA) 'Guidance on requirements for substances in articles' posted at this URL: <https://echa.europa.eu/guidance-documents/guidance-on-reach>

Compatible Parts

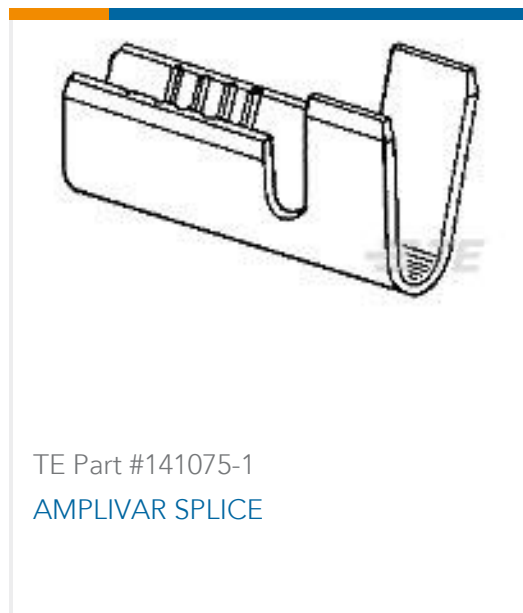
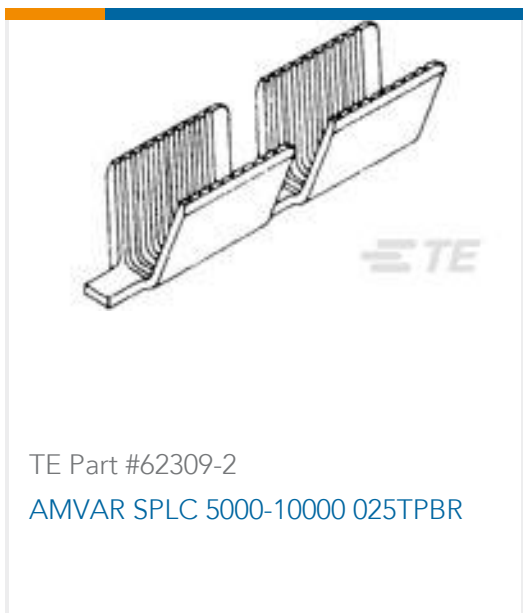
 <p>TE Part # 62080-1 250 FAST RCPT 1000-3000 BR</p>	 <p>TE Part # 63622-1 RCPT AMVAR 250 FAST LIF 016BR</p>	 <p>TE Part # 63623-1 RCPT AMVAR 250 FAST LIF 016BR</p>	 <p>TE Part # 60384-2 .250 FAST REC IS 1000 TPBR</p>
 <p>TE Part # 1217955-1 .187 FAST FL AMVAR 0157 TPBR</p>	 <p>TE Part # 1742944-1 RCPT 250 FLG FAST AMVAR TPPHBZ</p>	 <p>TE Part # 60385-2 .250 FAST REC IS 18-2/17 TPBR</p>	 <p>TE Part # 62922-1 250 FAST TAB AMVAR 032TPBR</p>
 <p>TE Part # 969116-2 AMPLIVAR SOCKET 6,3 SPECIAL</p>	 <p>TE Part # 1-969049-1 AMPLIVAR STATOR BUCHS</p>	 <p>TE Part # 1217417-1 RCPT.187 FL/FAST AMVR .157TPB</p>	 <p>TE Part # 1599721-1 TAB REC, STATOR, AMPLIVAR</p>
 <p>TE Part # 60384-1 .250 FAST REC IS 1000 BR</p>	 <p>TE Part # 62069-1 250 AMVAR FAS REC 23 19 MAG BR</p>	 <p>TE Part # 62091-2 250 FLG FAST RCPT 18-12 PTPBR</p>	 <p>TE Part # 63349-1 250 F TAB AMVAR 18-14 032TPBR</p>



Also in the Series | **AMPLIVAR**



Customers Also Bought





Documents

Product Drawings

[RECP AMVAR 250 FAST 016BR](#)

English

CAD Files

[3D PDF](#)

3D

Customer View Model

[ENG_CVM_CVM_1217835-1_C.2d_dxf.zip](#)

English

Customer View Model

[ENG_CVM_CVM_1217835-1_C.3d_igs.zip](#)

English

Customer View Model

[ENG_CVM_CVM_1217835-1_C.3d_stp.zip](#)

English

By downloading the CAD file I accept and agree to the [Terms and Conditions](#) of use.

Datasheets & Catalog Pages

[82004 FASTON Terminals \(Insulated and Uninsulated\) Catalog - FASTON Receptacles Section](#)

English

Product Specifications

[Application Specification](#)

English

Product Environmental Compliance

[Product Compliance](#)

English

[Product Compliance](#)

English