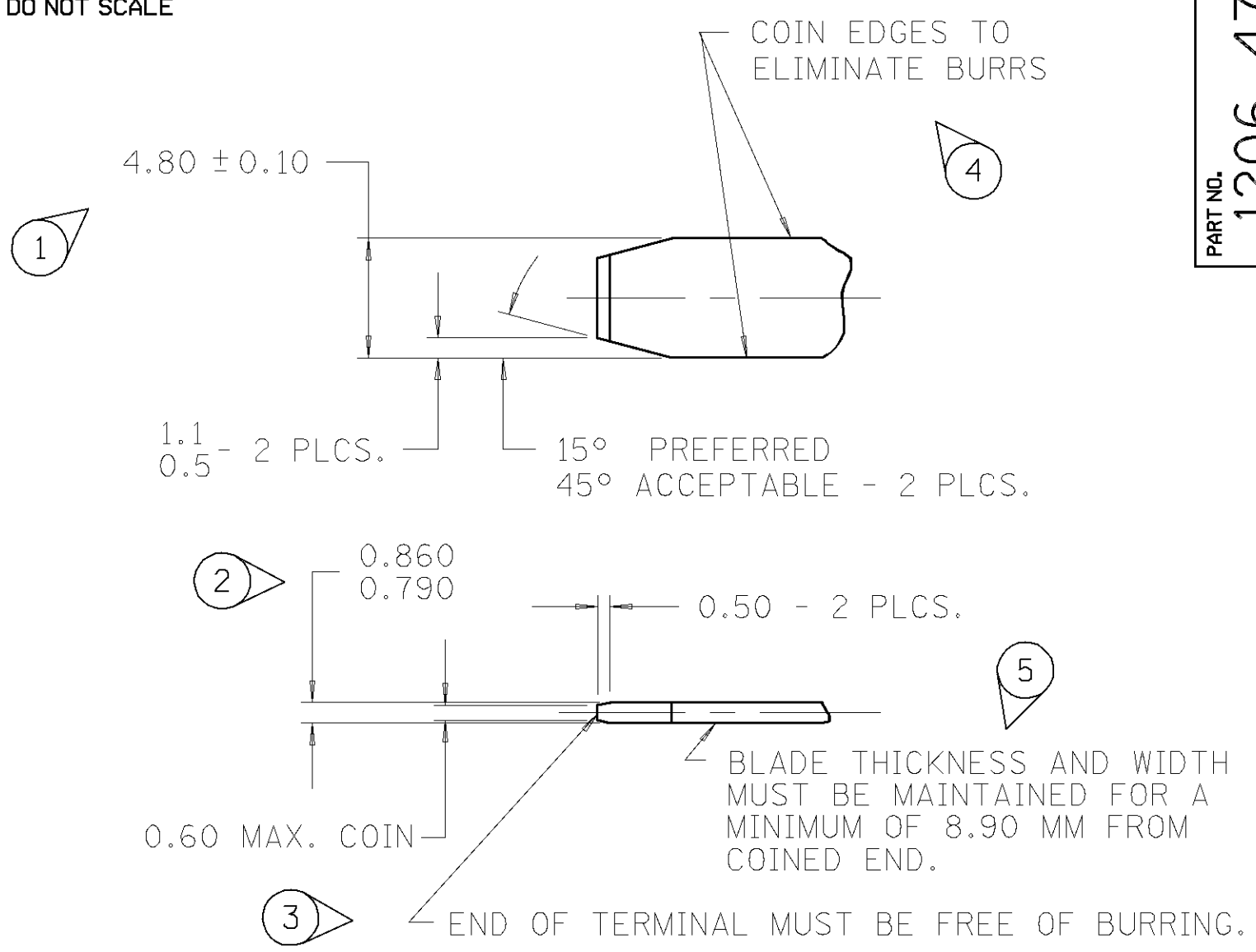
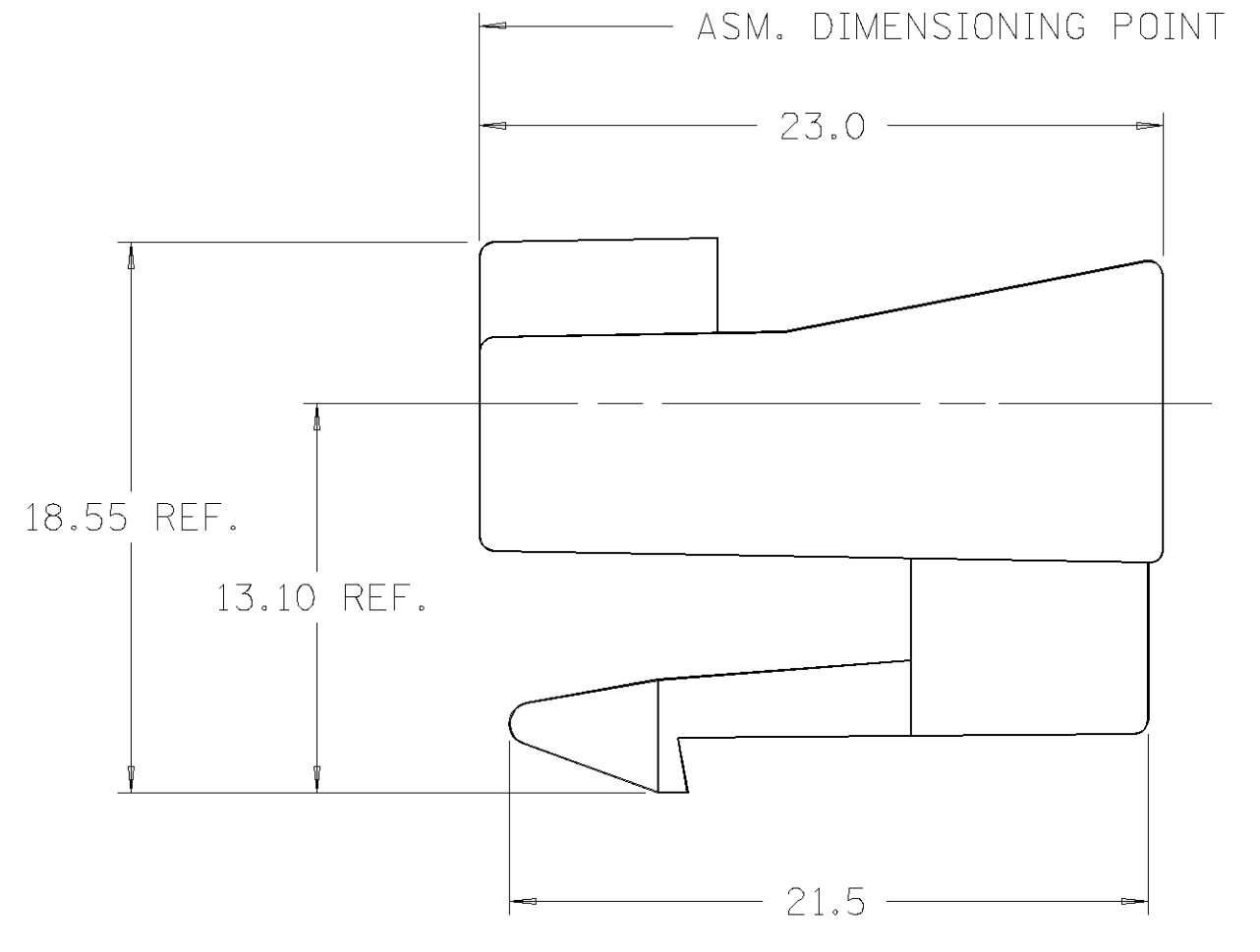
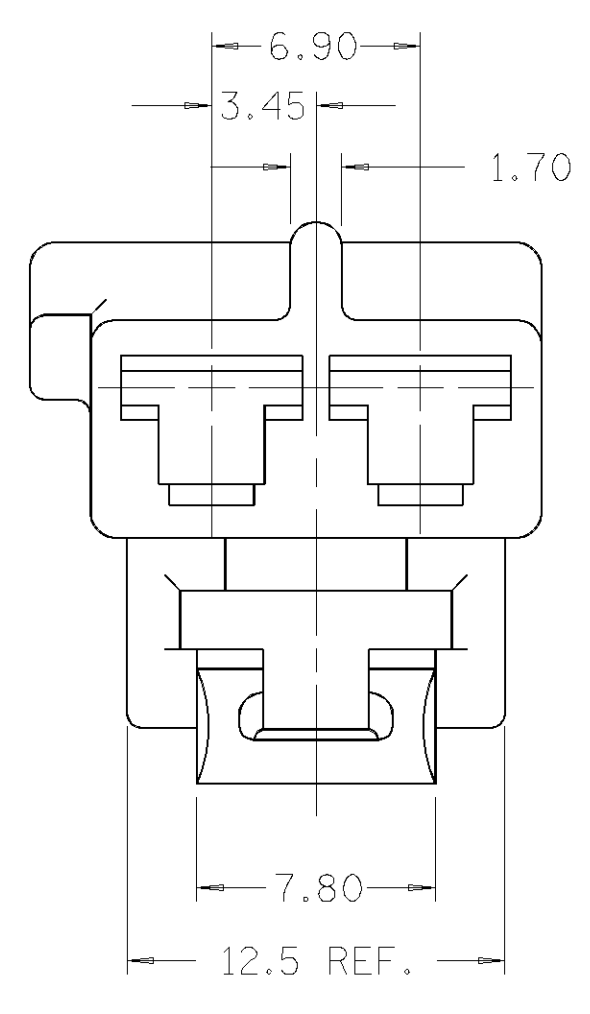
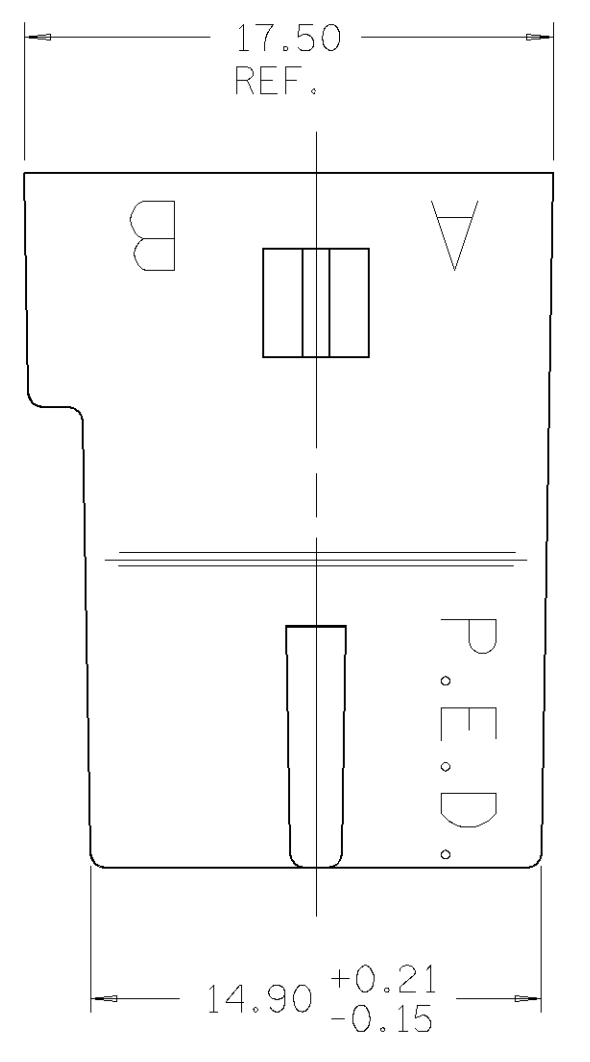


THIS DRAWING AND DESIGN HEREON CONSTITUTE A PROPRIETARY DESIGN OF PACKARD ELECTRIC DIVISION AND IS NOT TO BE DUPLICATED OR REPRODUCED WITHOUT AUTHORITY OF PACKARD ELECTRIC DIVISION.



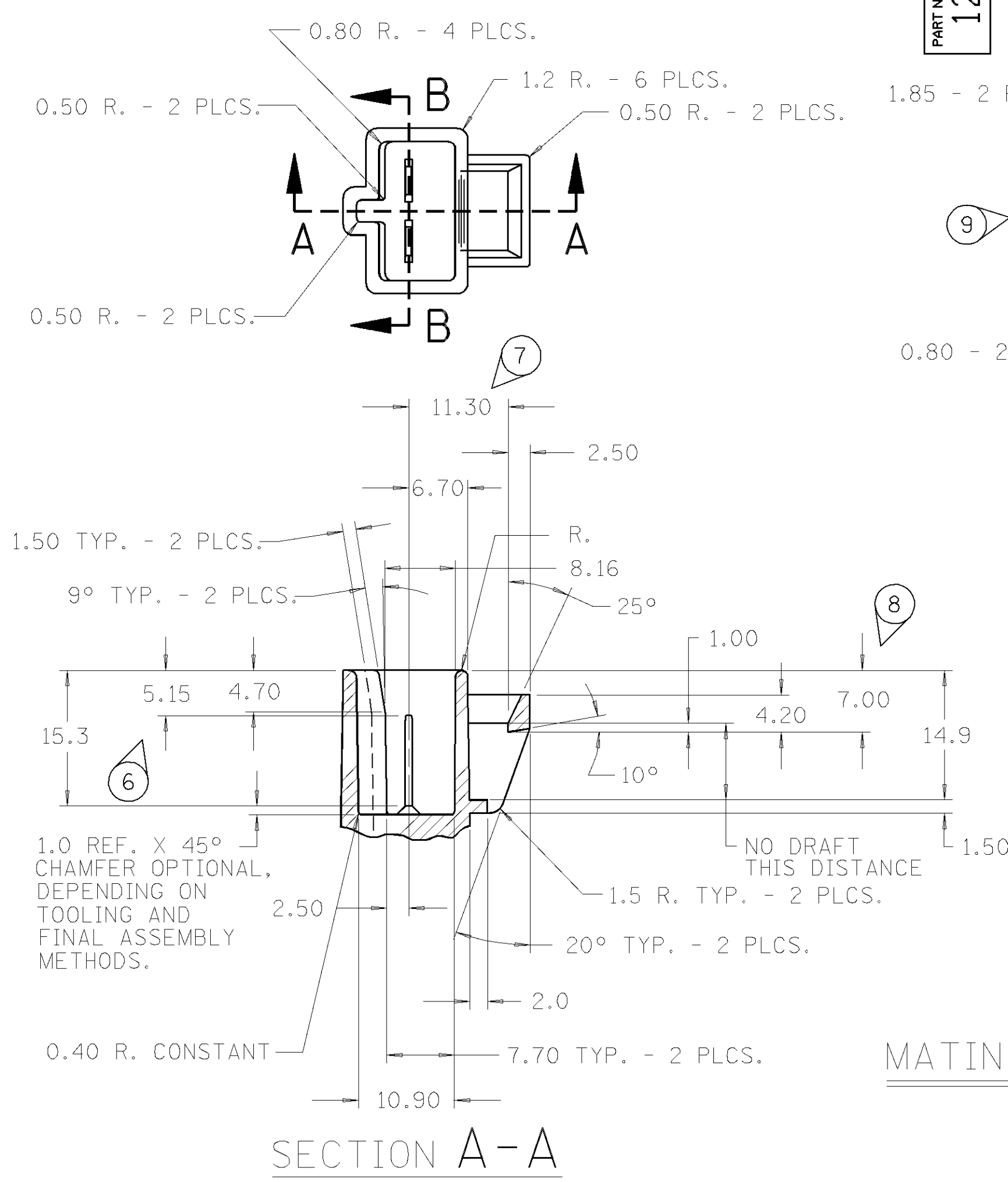
MATING TERMINAL INFORMATION  
SCALE 4:1

RECOMMENDED MATERIAL:  
 BASE METAL - CDA - 210, GILDING - EXTRA SPRING TEMPER  
 PLATING: THICKNESS 0.0025/0.0075 MM THK. TIN  
 BLADE MATERIAL SHOULD HAVE AN ELECTRICAL CONDUCTIVITY ≥ 20% IACS AT 20°C  
 USE OF A MATERIAL WITH A CONDUCTIVITY ≤ 20% IACS AT 20°C SHOULD BE APPROVED BY PACKARD ELECTRIC MATERIALS ENGINEERING.  
 TENSILE STRENGTH - 407 MPa



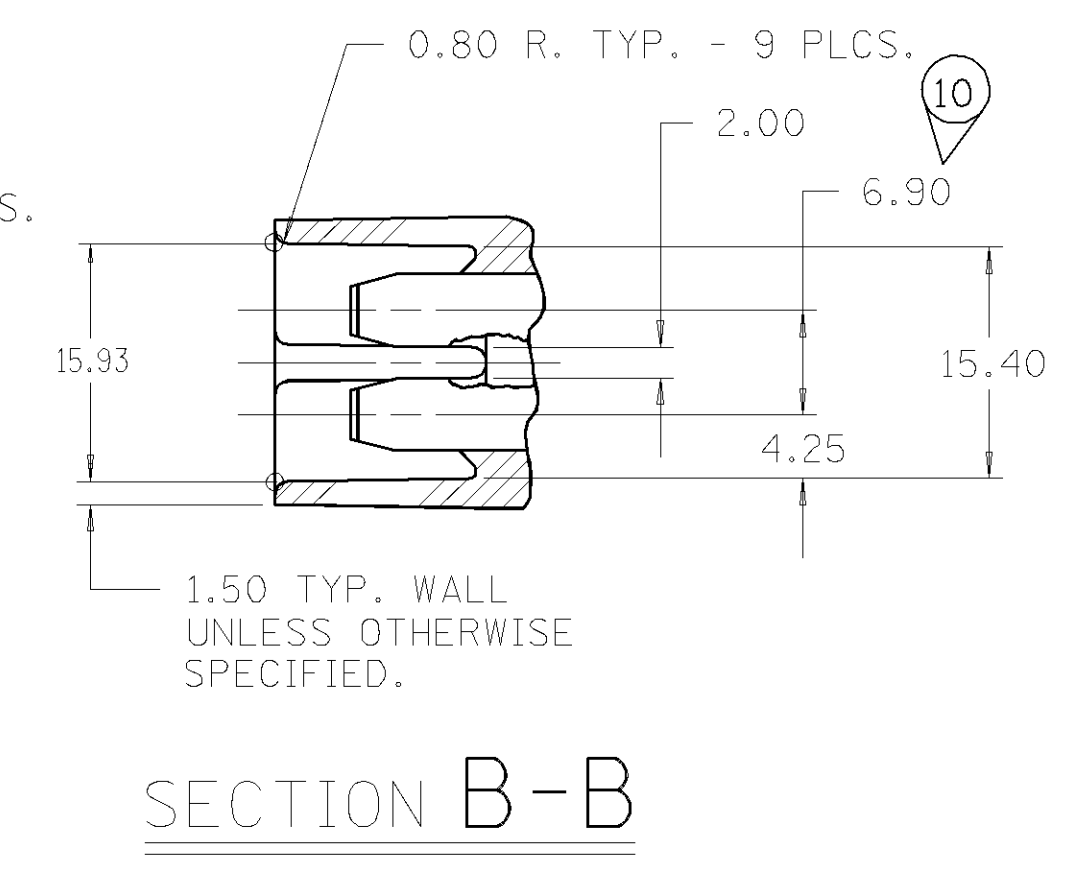
PART NO. 1206 4749

PART NO. 1206 4749



MATING CONNECTOR INFORMATION  
SCALE 2:1

- NOTES — 1. CAVITIES TO ACCEPT 12015860 TERMINAL OR EQUIVALENT.  
 2. MATING CONNECTOR IS 12064750 OR EQUIVALENT.  
 3. THIS PART ACCEPTS SECONDARY LOCK 12059860, 12186374 OR EQUIVALENT.  
 4. MATING COMPONENT - 12059985 HEADER CONN. OR EQUIVALENT.  
 5. THIS PART ACCEPTS CONNECTOR POSITION ASSURANCE 12052834 OR EQUIVALENT.



SECTION B-B

RECOMMENDED MATERIAL: NYLON.

- NOTES — 1. DIMENSIONS ARE TO FACE OF VIEW SHOWN UNLESS OTHERWISE INDICATED.  
 2. ALL RADII 0.50 UNLESS OTHERWISE SPECIFIED.  
 3. 1° DRAFT ON ALL INSIDE AND OUTSIDE SURFACES, UNLESS OTHERWISE SPECIFIED.  
 4. 'O' DENOTES DIMENSIONS AND CHARACTERISTICS THAT ARE IMPORTANT TO THE FUNCTION AND/OR PROCESSING OF THE PART. IT DOES NOT NECESSARILY INDICATE AN SPC DIMENSION. THIS DRAWING HAS 10 SNOWCONES.

DATE	SYM	REVISION RECORD	AUTHORITY	DR	CK
09MR87		REDRAWN & ADDED MATING INFORMATION - REV. LEVEL REMAINS AT "B"			
050C87		REF. NO. WAS 12064749	112486	LT	JC
16MY88	B1	MATING CONN. INFO REVISED AND SNOWCONES ADDED.	115173	LT	RG
31AU88	B2	ADDED 8.16 AND 15.93 DIMENSIONS	119633	DS	FH
13JA89	C	MAT'L WAS UNMODIFIED POLYESTER BLACK; 14.90 WAS 14.90	421709	DS	BAR
01MY96		REVISED NOTE #3	124347	DKS	
			172560	RLB	RLB

		FILE SPEC: ****USER**** DGN#SPECIFICATION***** *****SYTIME*****
THIRD ANGLE PROJECTION		<b>METRIC</b> DIMENSIONS ARE IN MILLIMETERS UNLESS OTHERWISE SPECIFIED.
CODE NO. 6900	TOLERANCE UNLESS OTHERWISE SPECIFIED DECIMALS: ANGULAR ± 0° ONE PLACE ± 0.3 TWO PLACE ± 0.15	
DWG. DATE 09MY85	SCALE NONE	DR. J. E. Johnson 09MR87
EST. NO.	CK. J. COLDSNOW	DATE 27AP87
REFERENCE NO. 12077935 'E' SIZE	APPR. J.P. LITTLEFIELD	DATE 09JN87
MATERIAL SPEC. NYLON 66 - BLACK		
NAME CONN 2F M/P 480		
PART NO. 1206 4749	SIZE D	OUTLINE DRAWING

PACKARD ELECTRIC DIVISION  
 GENERAL WAREHOUSE, OHIO

-0-  
309  
75V

A

PACKARD ELECTRIC DIVISION  
 GENERAL WAREHOUSE, OHIO

A