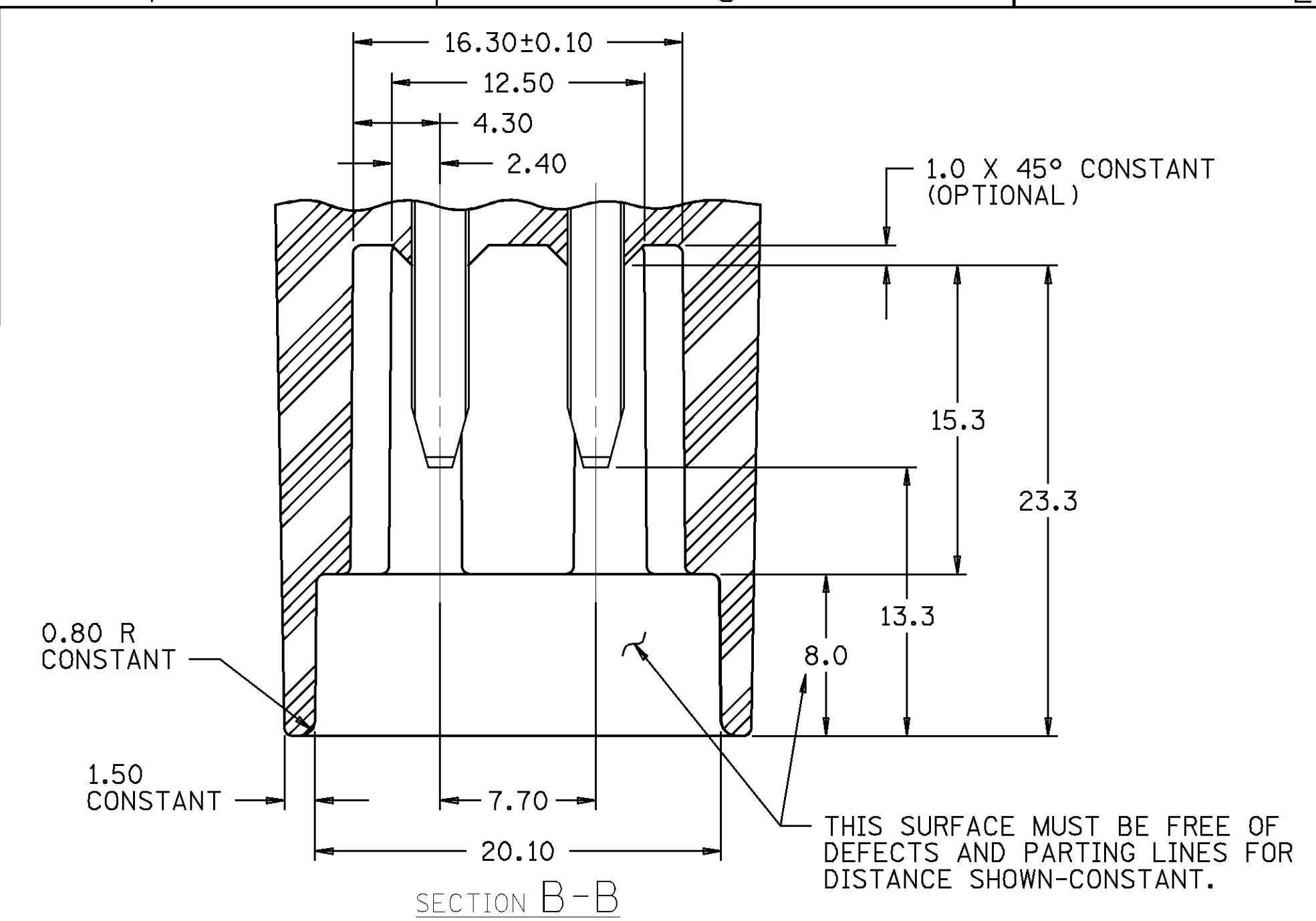
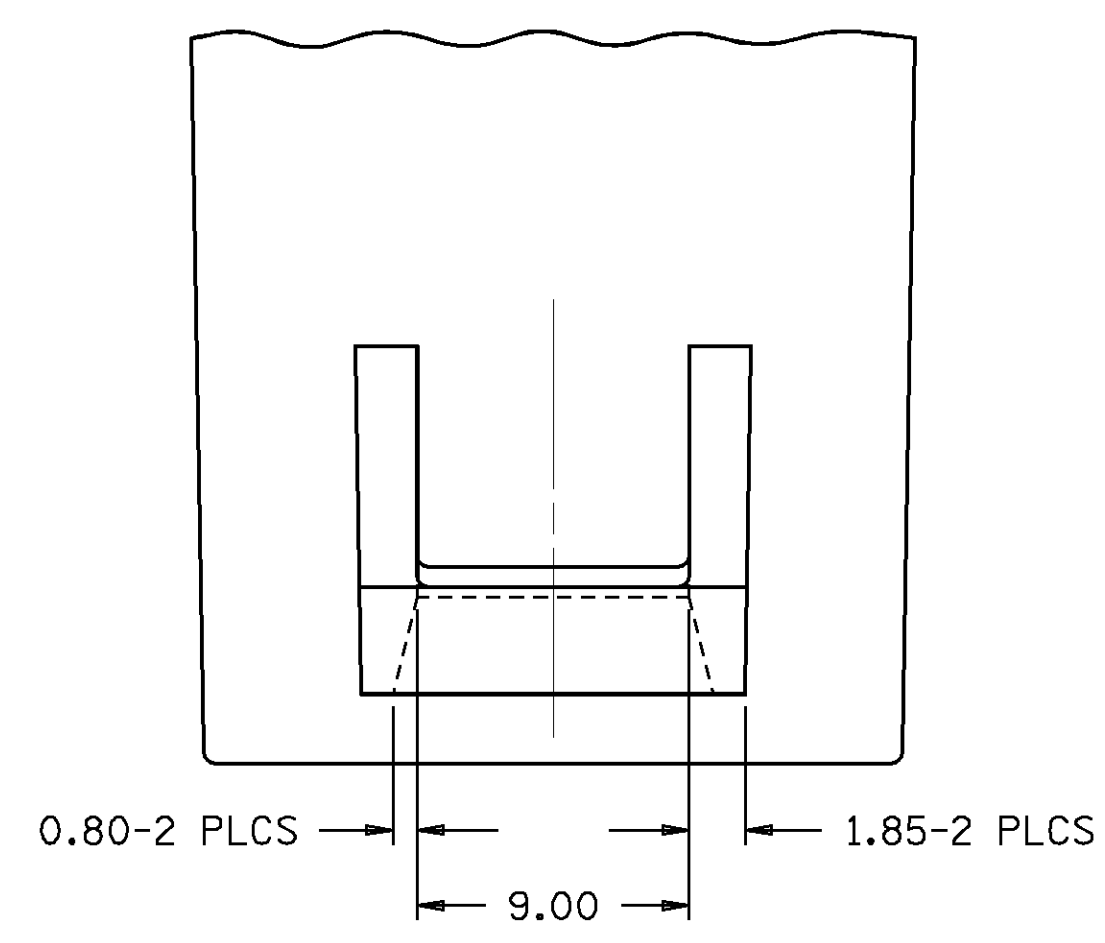
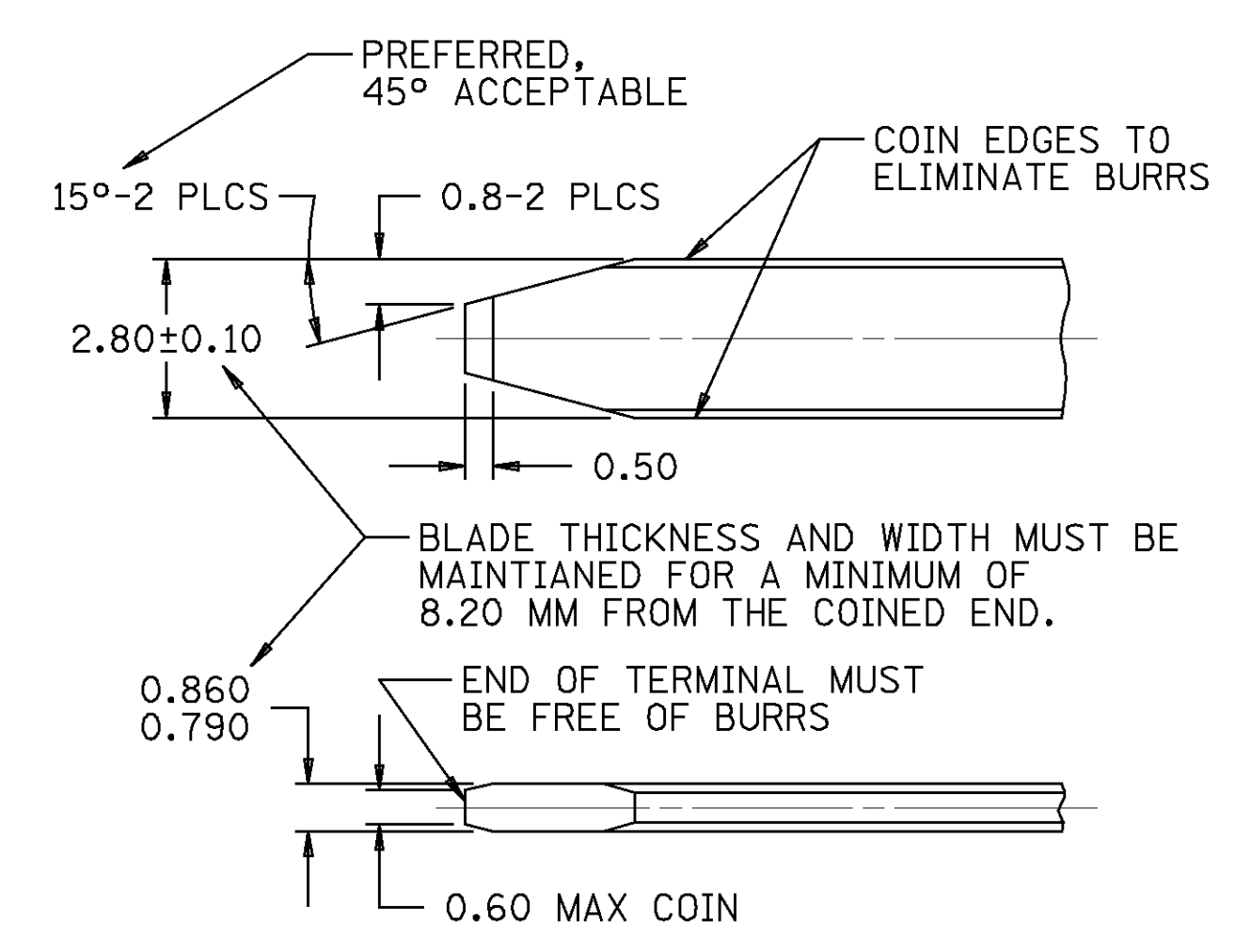


THIS DRAWING AND DESIGN HEREON CONSTITUTES A PROPRIETARY DESIGN OF PACKARD ELECTRIC DIVISION AND IS NOT TO BE DUPLICATED OR REPRODUCED WITHOUT AUTHORITY OF PACKARD ELECTRIC DIVISION.

DO NOT SCALE

PART NO. 1207 7900

PART NO. 1207 7900



MATERIAL SPECIFICATIONS

RECOMMENDED

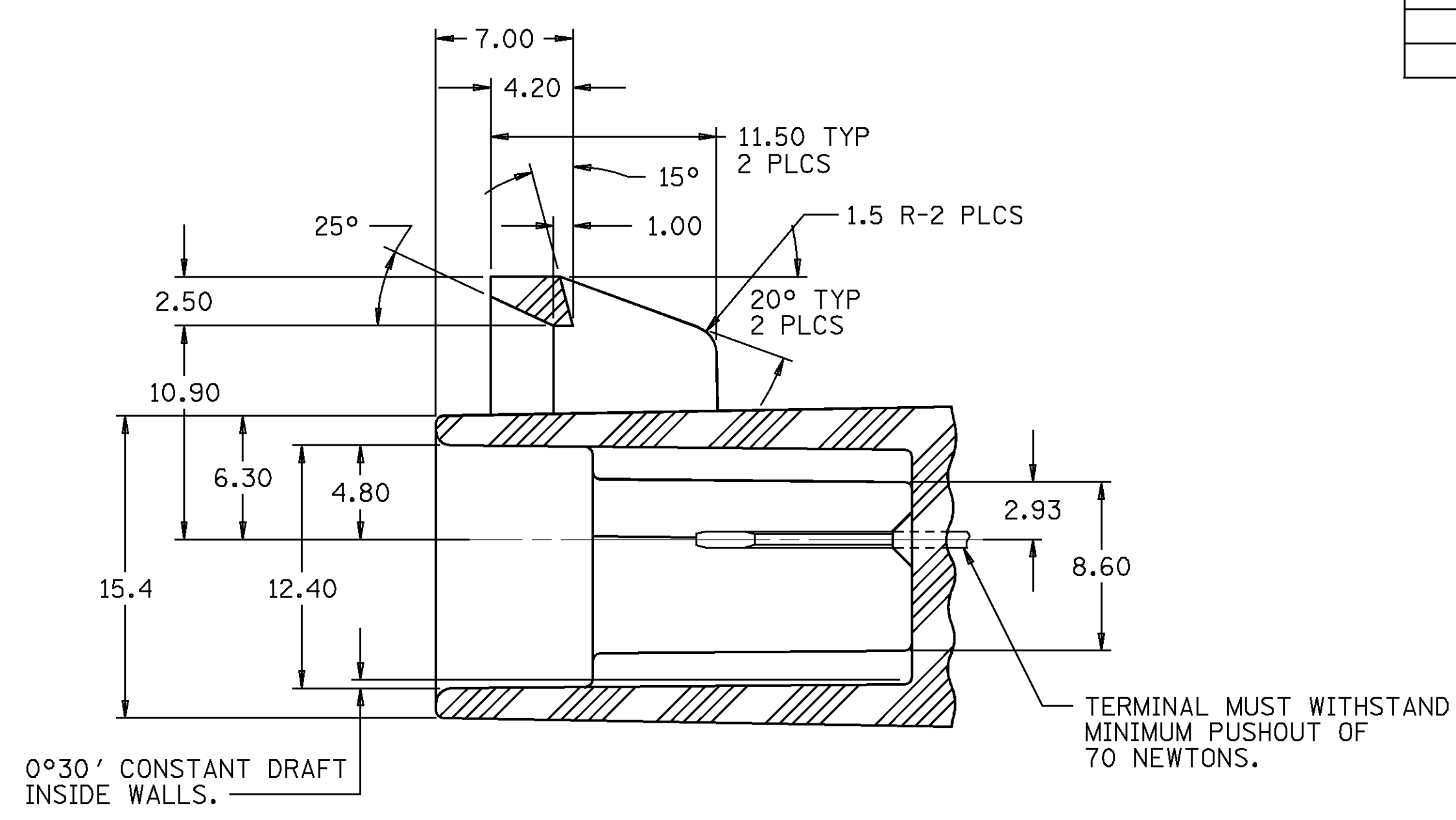
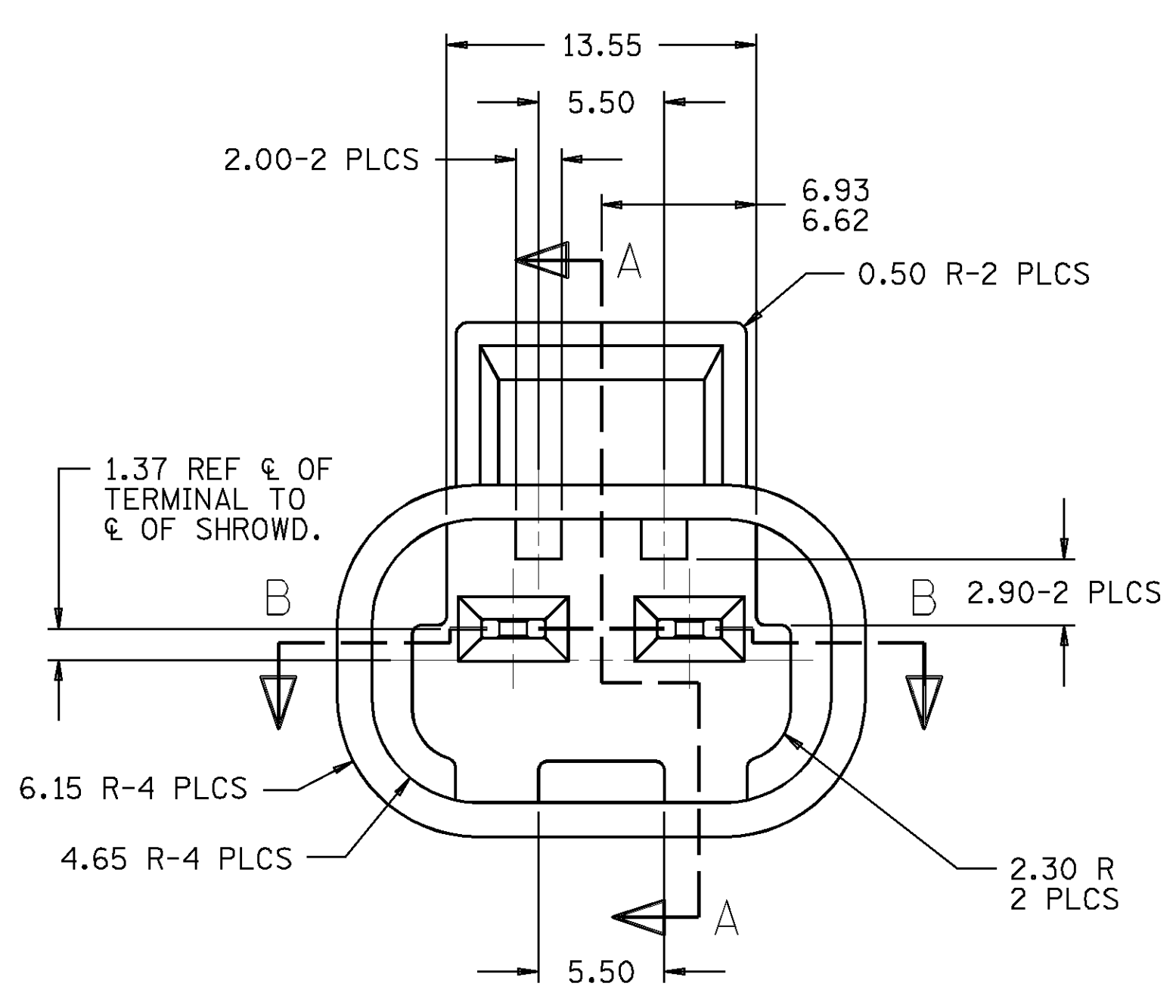
BASE METAL - CDA-210, GILDING, EXTRA SPRING TEMPER
 PLATING - 0.0050±0.0025 MM THICK TIN

MINIMUMS

ELECTRICAL CONDUCTIVITY - ≥ 20% IACS @ 20°C. USE OF A MATERIAL WITH CONDUCTIVITY < 20% IACS MUST BE APPROVED BY PACKARD ELECTRIC MATERIALS ENGINEERING.
 TENSILE STRENGTH - 407 MPa
 PLATING - FOR LOW ENERGY (≤ 5v) AND NON-PASSENGER COMPARTMENT POWER CIRCUITS, 0.0050±0.0025 MM THICK TIN. FOR MATERIALS CONTAINING 10% OR MORE ZINC, AN UNDERPLATE OF COPPER 0.0050±0.0025 MM THICK IS REQUIRED.

MATING BLADE INFORMATION

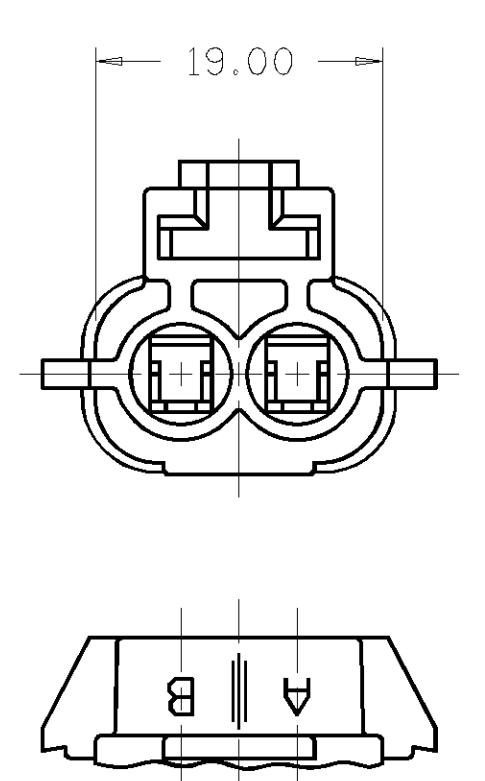
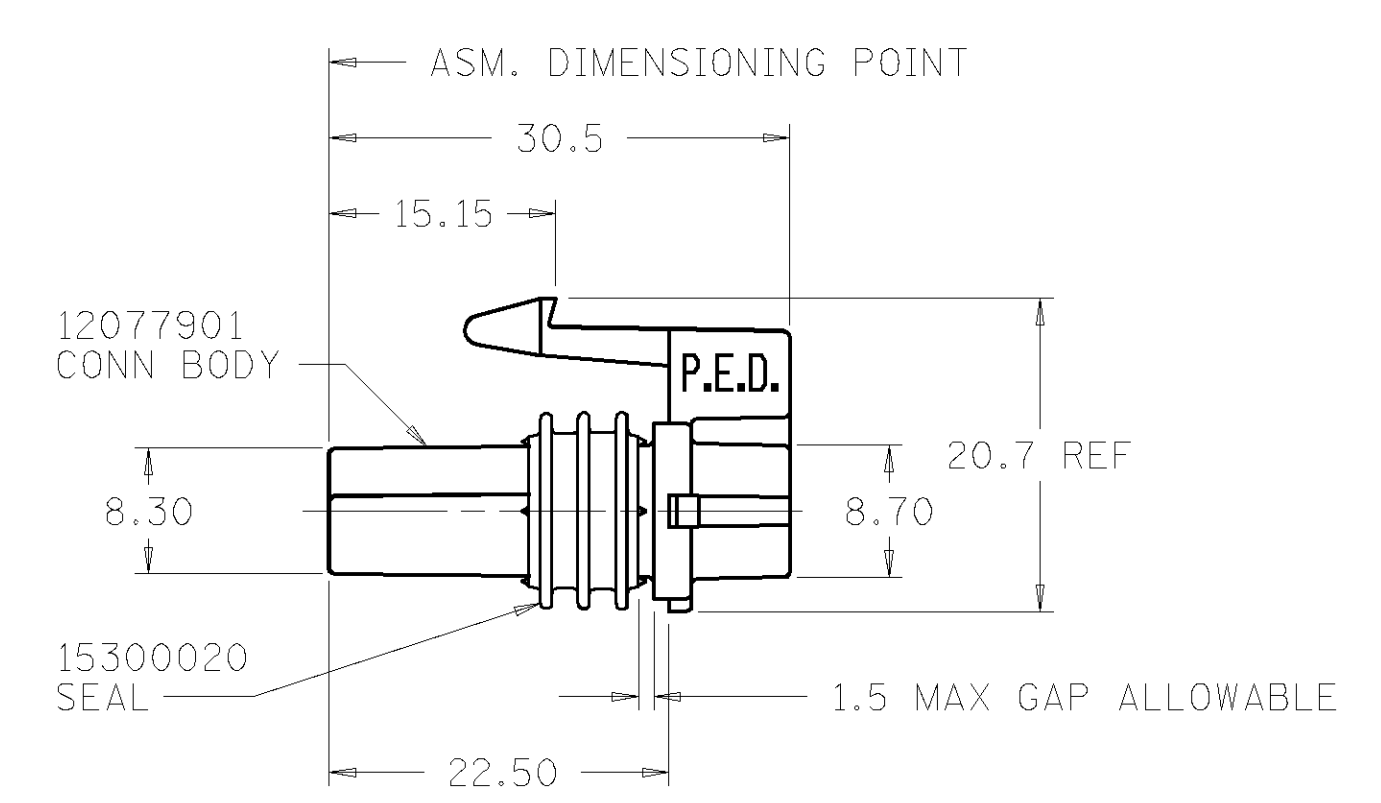
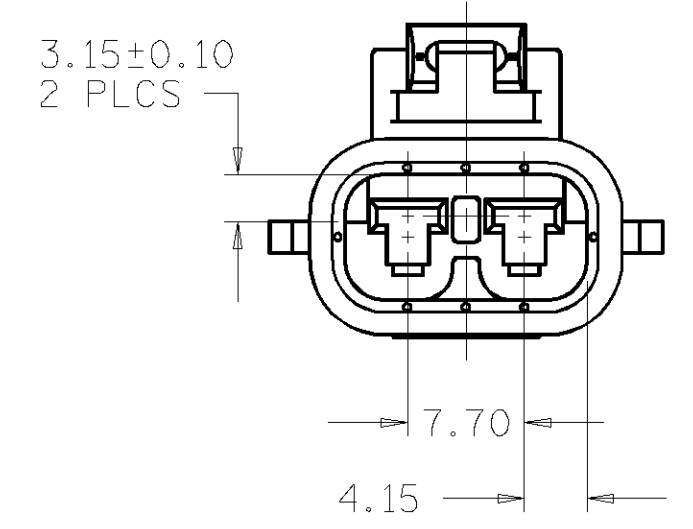
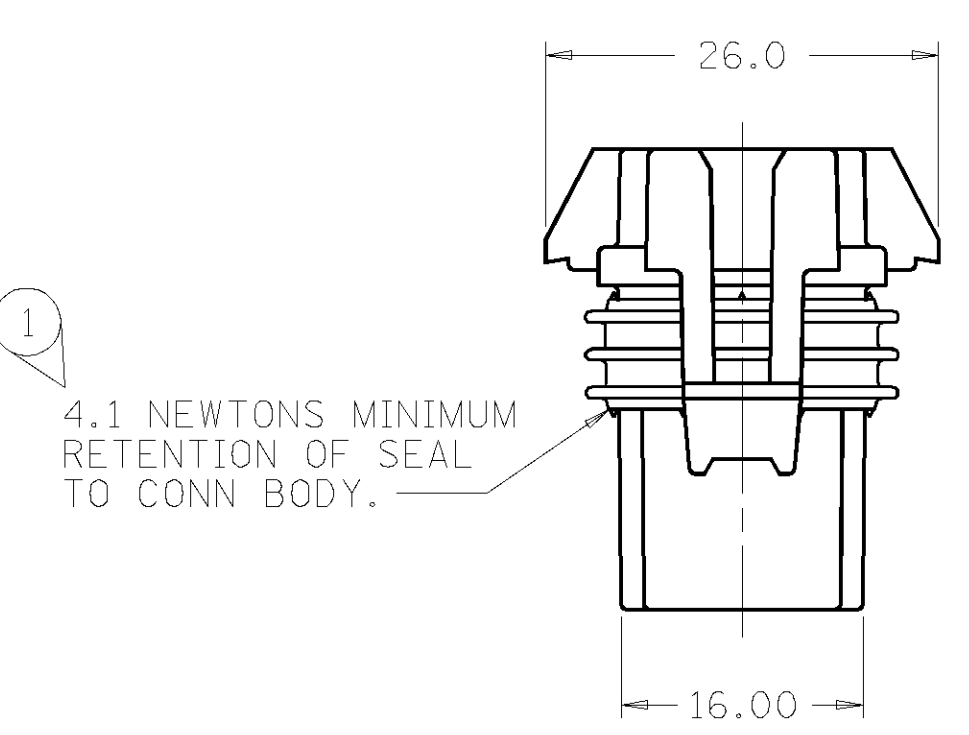
SCALE 4:1



MATING CONNECTOR INFORMATION

SCALE 4:1

- NOTES**
1. ALL RADII 0.40, UNLESS OTHERWISE SPECIFIED.
 2. DIMENSIONS ARE TO FACE OF VIEW SHOWN, UNLESS OTHERWISE INDICATED.
 3. RECOMMENDED MATERIAL - GLASS FILLED POLYESTER OR NYLON 66.
 4. 1° DRAFT ON EXTERIOR SURFACES, UNLESS OTHERWISE INDICATED.



ECI No. 097WF0246	REVISION RECORD NEW ADOPTION	WEIGHT 3.80g	WEIGHT TOL ±0.20g
TOYOTA PART NAME HOUSING CONNECTOR FEMALE		TOYOTA PART No. 90080-98151	
APPROVED	CHECKED		
STAFF CODE: DM700		TOYOTA MOTOR CORPORATION	

- NOTES**
1. CAVITIES TO ACCEPT 12020648 TERMINAL OR EQUIVALENT.
 2. CAVITIES TO ACCEPT 12015323 CABLE SEAL OR EQUIVALENT.
 3. WHEN PARTS ARE SHIPPED, THEY MUST BE PACKED IN PLASTIC BAGS OR SHIPPING CONTAINERS MUST BE LINED WITH PLASTIC LINERS. BAGS OR LINERS MUST BE SEALED TO AVOID ENTRY OF FOREIGN MATTER.
 4. THIS PART TO ACCEPT CPA LOCK 12052834 OR EQUIVALENT.
 5. THIS PART TO ACCEPT TPA 12077904 OR EQUIVALENT.
 6. ENVIRONMENTAL SEAL CLASS CODE 3.
 7. "Ø" DENOTES DIMENSIONS AND CHARACTERISTICS THAT ARE IMPORTANT TO THE FUNCTION AND/OR PROCESSING OF THE PART. IT DOES NOT NECESSARILY INDICATE AN SPC DIMENSION. THIS DRAWING HAS 2 SNOWCONES.
 8. MATING PART IS 22087211 OR EQUIVALENT.

DATE	SYM	REVISION RECORD	AUTHORITY	DR	CK
07AP88	A	PART NO. WAS PE012320 & RELEASED	880005	SM	RG
04AU88	B	RADIUS ADDED; SEAL 15300020 WAS 12084168; REVISED NOTE 1, 12020648 WAS 12034454; SEAL CLASS CODE WAS 4	120857	PF	FH
12DE88	C	30.5 WAS 30.5 REF, REMOVED 29.9 AND ADDED NOTE*8; REMOVED RIB FROM MATING CONNECTOR AND 13.3 WAS 10.5	123600	SM	SM
27OC97	C1	ADDED TOYOTA TITLE BLOCK	182086	GLH	GLH

FILE SPEC: ***USER*** DGN SPECIFICATION***** *****SYTIME*****	THIRD ANGLE PROJECTION	METRIC
CODE NO. 6900	TOLERANCE UNLESS OTHERWISE SPECIFIED DECIMAL: ONE PLACE ± 0.3 TWO PLACE ± 0.15	ANGULAR ± 2°
DWG. DATE 07AP88	SCALE 2:1	DR. STEVE MARZO 07AP88
EST. NO.	APPR. W. K. CHIN	DATE 11MY88
REFERENCE NO.	APPR. R. A. PHILLIPS	DATE 11MY88
MATERIAL SPEC.	SEE DRAWING	
NAME	ASM CONN 2F M/P 280	
PART NO.	1207 7900	SIZE D

PACKARD ELECTRIC DIVISION
 GENERAL MOTORS CORPORATION
 WARREN, OHIO

PACKARD ELECTRIC