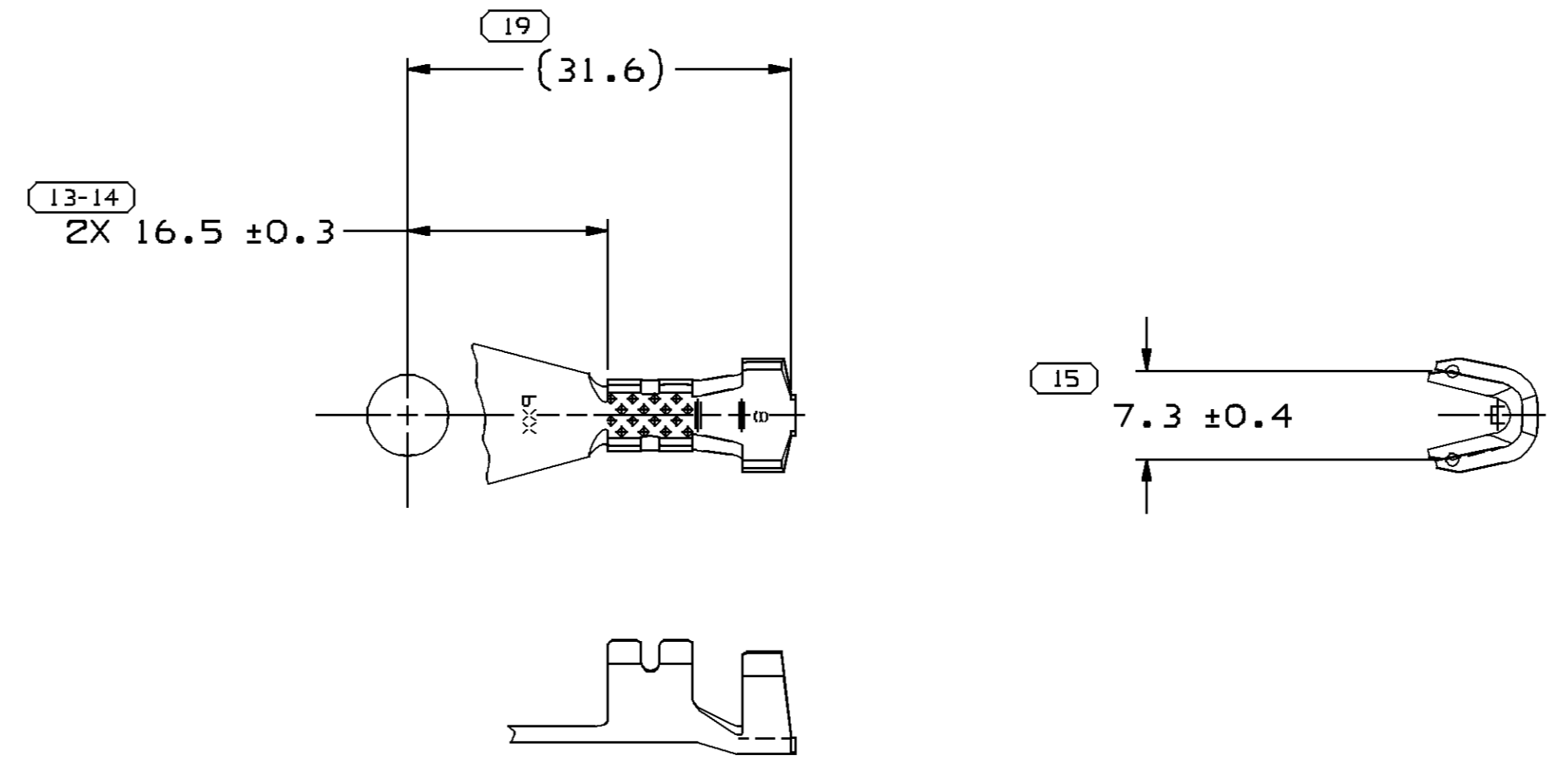
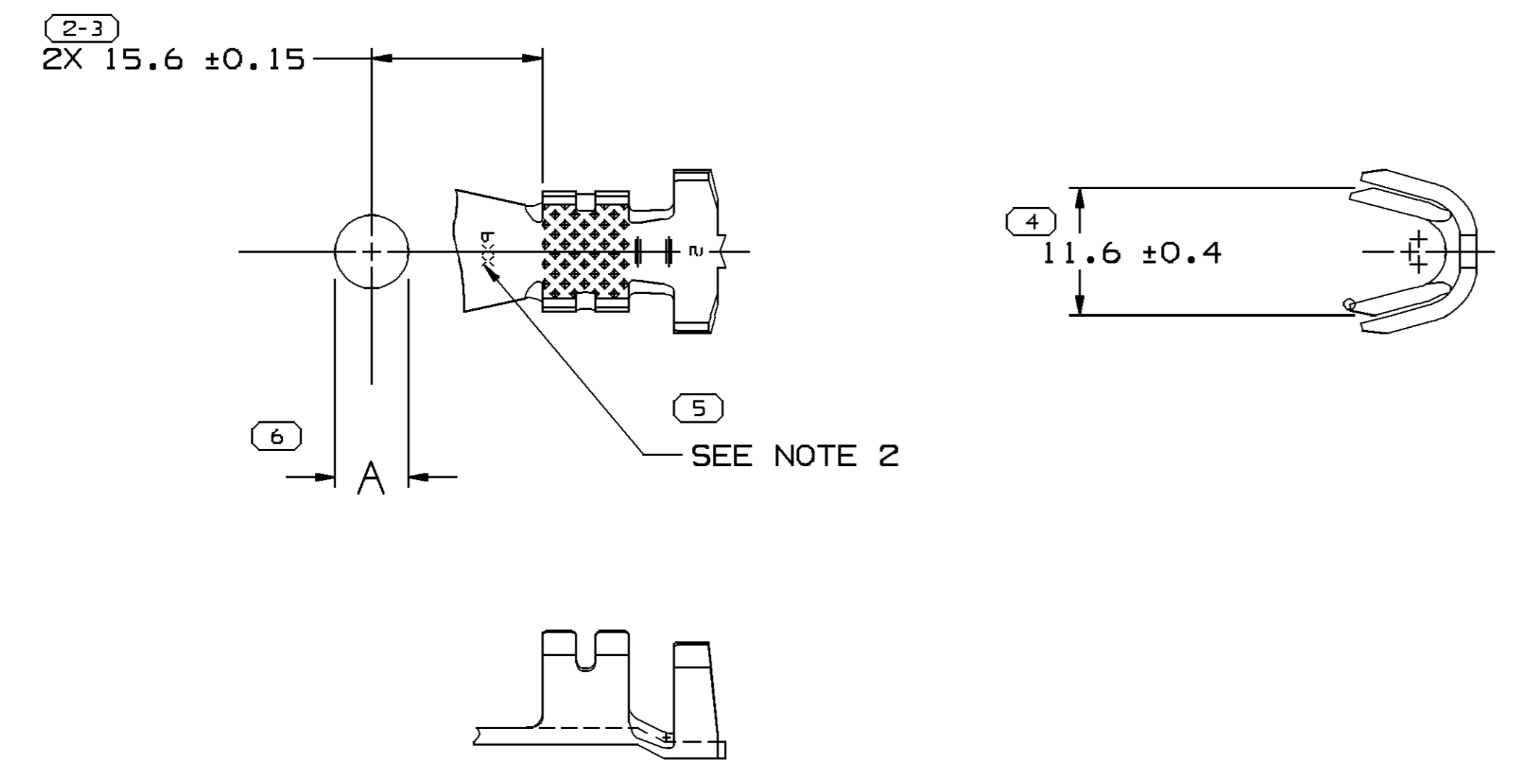
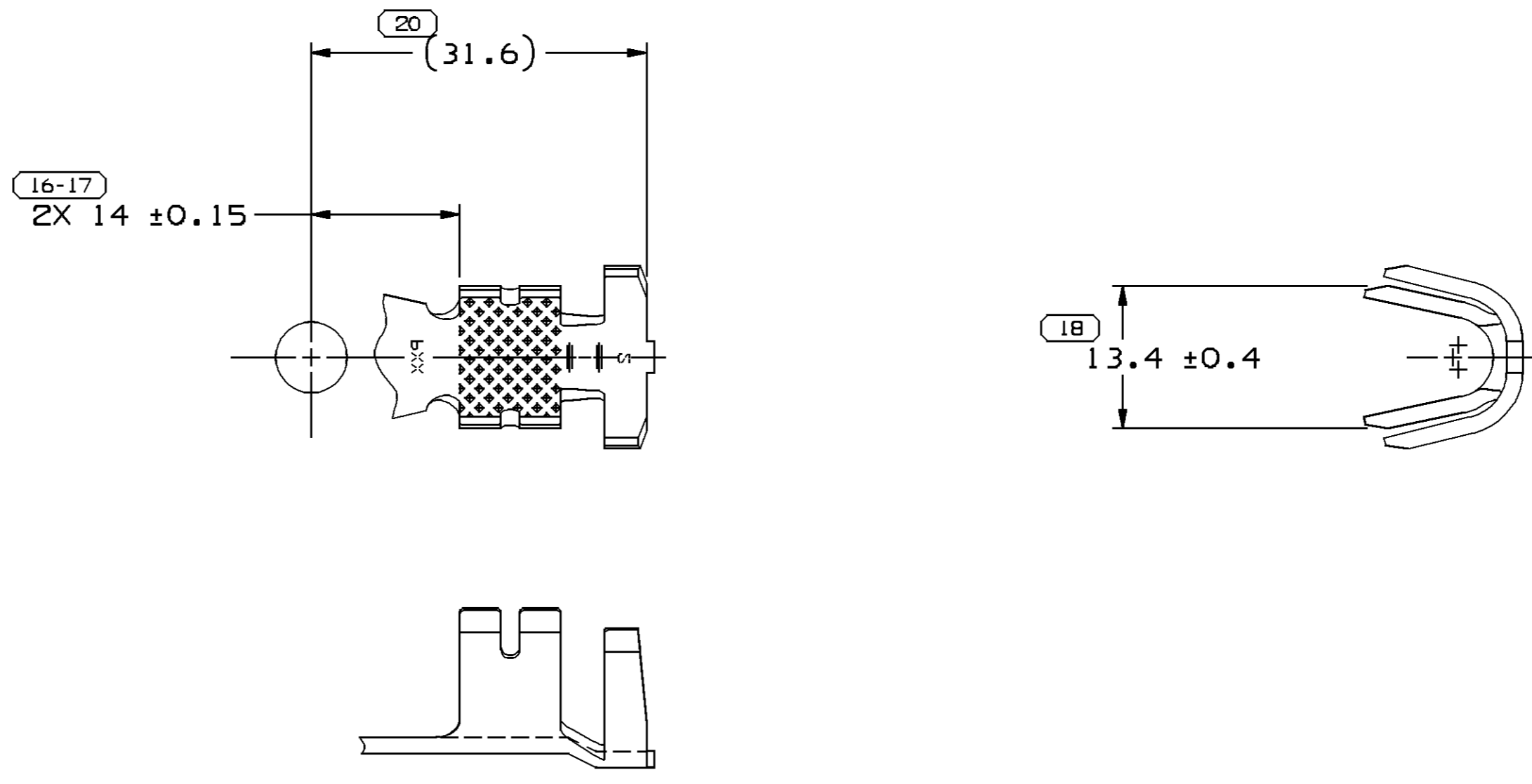
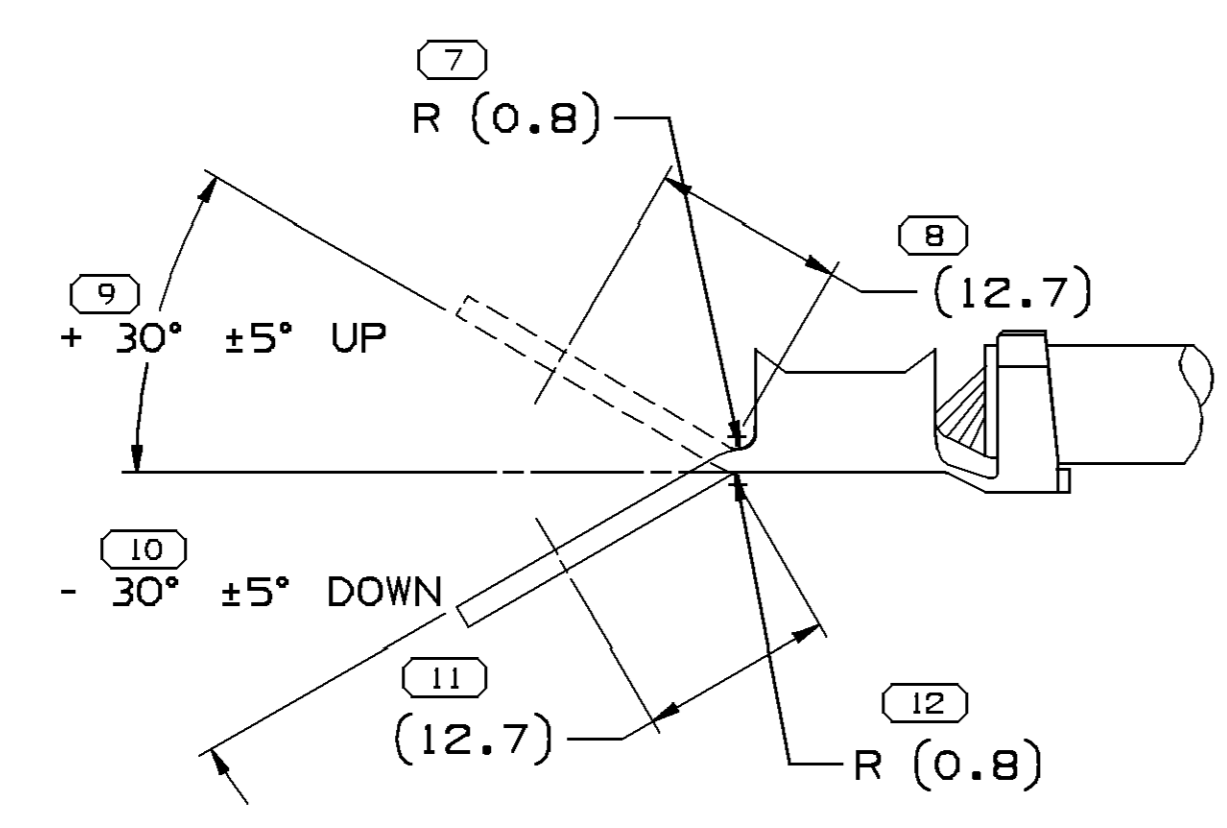
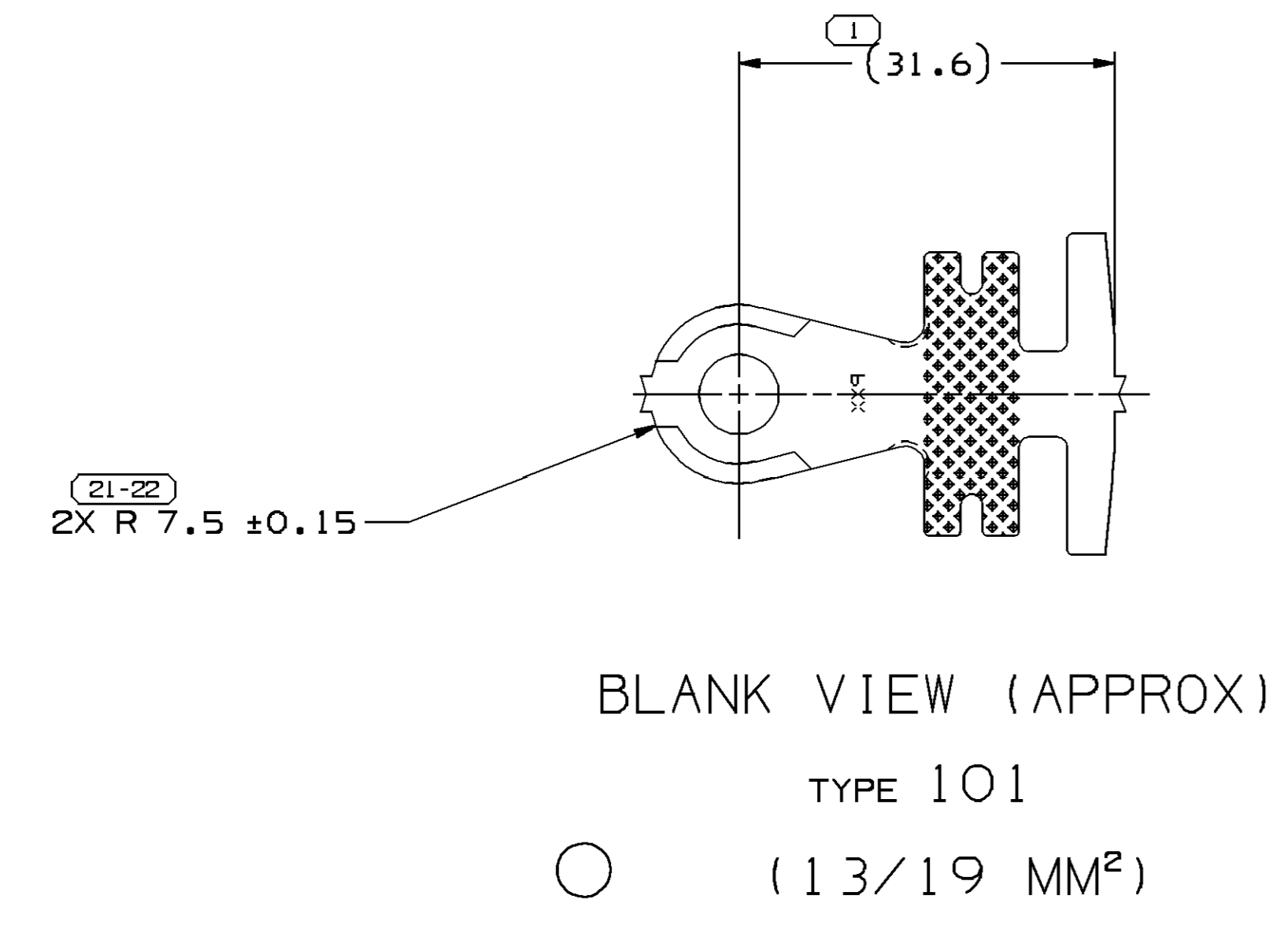


SYMBOL DEFINITION		MISSING NUMBERS		DWG STATUS		REVISION HISTORY		AUTH	DR	AP/D	AP/D
DATE	STG	REV	N/P	CHG	ZONE	DATE	STG	REV	N/P	CHG	ZONE
03FE99	R	01	-	-	-	CLEARED REV COLUMN & 15369369 RELEASED	990005	AAS	AUG	JF	
03FE99	R	02	-	-	-	ALL PARTS - REVISED CHART	192383	AAS	AUG	JF	
03FE99	R	03	-	-	-	15317721, 15317722, 15326165 - OBSOLETE	990003	AAS	AUG	JF	
03FE99	R	04	-	-	-	15355282 - RELEASED	990005	AAS	AUG	JK	
30SE99	R	05	-	-	-	ALL ACTIVE PARTS - REVISED TOLERANCES & PSD	196748	RGV	MVA	JF	
11FE04	R	06	-	-	-	ALL PARTS - ADDED BLANK VIEW; ADDED DIM 2X R 7.5 ±0.15	251723	ADK	ADK	BS	



TYPE 111
 SAME AS TYPE 101
 EXCEPT AS SHOWN
 (8 MM²)



TYPE 121
 SAME AS TYPE 101
 EXCEPT AS SHOWN
 (32 MM²)

- NOTES
- UNLESS OTHERWISE SPECIFIED AND/OR INDICATED: DIMENSIONS ARE TO FACE OF VIEW SHOWN AND AUTOMATICALLY ROUNDED BY COMPUTER FOR INSPECTION. (SEE MATH MODEL FOR PRECISE DIMENSIONS.) FOR ALL OTHER DIMENSIONS NOT SHOWN BUT REQUIRED FOR TOOL BUILD, SEE MATH MODEL FOR PRECISE TOOL PATH DATA.
 - "PXX" INDICATES "P" PLUS LAST TWO DIGITS OF MAKE DIE SERIES NUMBER (P01, P02, P03, ETC.).
 - FOR ALTERNATIVE CABLE APPLICATIONS, SEE ESA-605
 - FOR SOLDERABILITY REQUIREMENTS, SEE ESO-1503

PART NO	STG	REV	N/P	STATUS	MAT'L SPEC	SIZE	CABLE	TYPE	1/4	5/16	UP	STG	REV	N/P	DOWN	STG	REV	N/P
15317722	R	A3		OBSOLETE	M1573168	210 GILDING EX SPR	1.52 X 28.57	13/19	101		X							
15317721	R	A3		OBSOLETE	M1573168	210 GILDING EX SPR	1.52 X 28.57	13/19	101		X							
15326165	R	A2		OBSOLETE	M1573487	210 GILDING EX SPR	1.3 X 21	B	111		X							
12146429	R	A4			M1598170	210 GILDING EX SPR	1.52 X 33.32	32	121		X							
12146425	R	A4			M1598170	210 GILDING EX SPR	1.52 X 33.32	32	121		X							
12146366	R	A4			M1598168	210 GILDING EX SPR	1.52 X 28.57	13/19	101		X							
12146365	R	A4			M1598168	210 GILDING EX SPR	1.52 X 28.57	13/19	101		X							
12146364	R	A4			M1598487	210 GILDING EX SPR	1.3 X 21	B	111		X							
12146363	R	A4			M1598487	210 GILDING EX SPR	1.3 X 21	B	111		X							

(6) PROCESS SENSITIVE DIMENSION	
DIMENSIONS ENCLOSED IN () INDICATE REFERENCE DIMENSIONS AND NO TOLERANCE LIMITS ARE ESTABLISHED	
DIMENSIONAL RANGE (MM)	CHART D
FROM 0 TO 12	>12
TOLERANCE UNLESS OTHERWISE SPECIFIED	
±0.1	±0.2
ANGULAR TOLERANCE 2°	

THIRD ANGLE PROJECTION	DO NOT SCALE	USE MATH DATA
------------------------	--------------	---------------

DELPHI
 DELPHI PACKARD ELECTRIC SYSTEMS
 WARREN, OH

DR: RICHARD RACZ
 T. MUDREY
 R. STANG

DATE: 15JA93
 28JA93
 28JA93

DRAWING NAME: TERM RING
 DRAWING NUMBER: 12146367

SCALE: 2:1
 SHEET NO: 1 OF 4
 REV: N/P