

1217281-2 ✓ ACTIVE

FASTIN-FASTON | FASTIN-FASTON 110

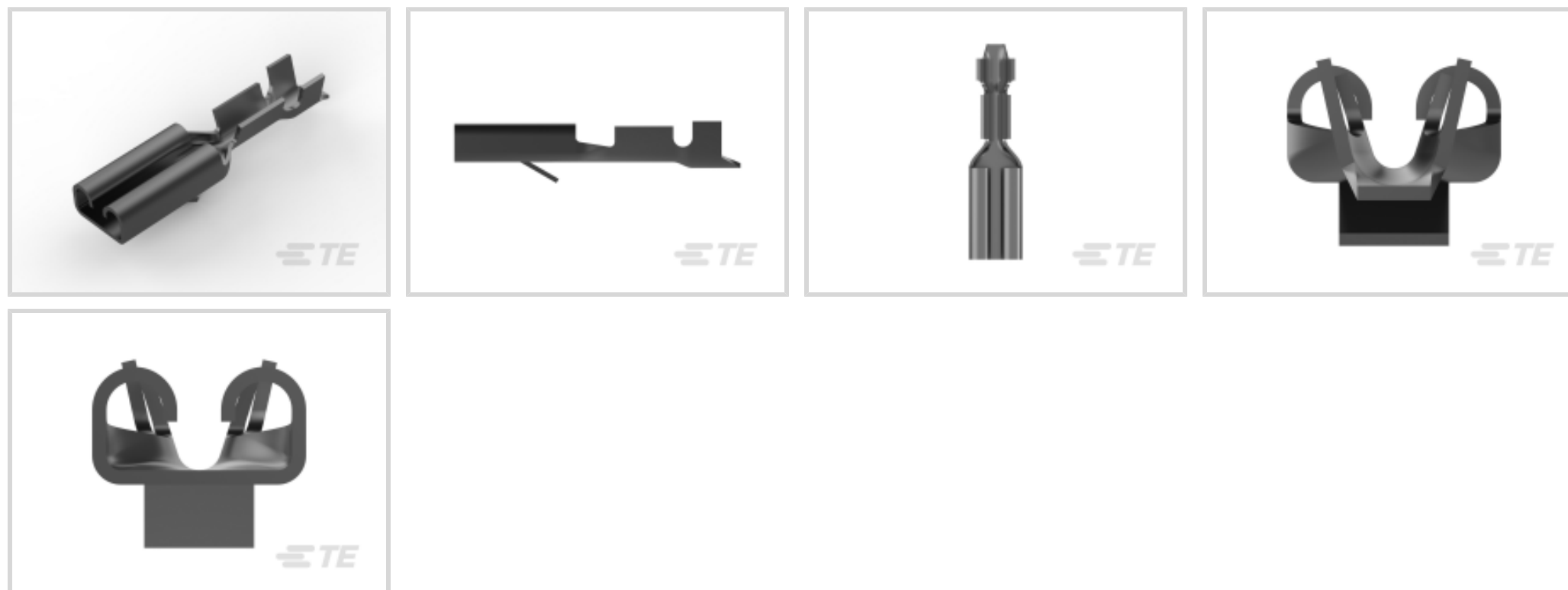
TE Internal #: 1217281-2

Quick Disconnects, Receptacle, 24 – 20 AWG Wire Size, .2 – .51 mm² Wire Size, Mating Tab Width .11 in [2.8 mm], Straight, Brass, FASTIN-FASTON 110

[View on TE.com >](#)



Terminals & Splices > Quick Disconnects



Quick Disconnect Terminal Type: **Receptacle**

Wire Size: .2 – .51 mm²

Mating Tab Width: 2.8 mm [.11 in]

Mating Tab Thickness: .81 mm [.032 in]

Features

Product Type Features

Terminates To	Wire & Cable
Wire Stop	No
Wire/Cable Type	Regular Wire
Insertion Force	Normal
Sealable	No

Configuration Features

Connection Capacity	Single
---------------------	--------

Contact Features

Quick Disconnect Terminal Type	Receptacle
Mating Tab Width	2.8 mm [.11 in]
Mating Tab Thickness	.81 mm [.032 in]
Terminal Orientation	Straight
Contact Base Material	Brass
Terminal Plating Material	Pre-Tin
Crimp Type	F-Crimp



Barrel Type	Open
-------------	------

Mechanical Attachment

Mating Retention Type	Dimple
Locking Lance Height	1.07 mm
Wire Insulation Support	With

Dimensions

Accepts Wire Insulation Diameter Range	1.27 – 2.03 mm [.05 – .08 in]
Overall Length	13.97 mm [.55 in]
Receptacle Terminal Stock Thickness	.25 mm [.01 in]
Wire Size	.2 – .51 mm ²

Usage Conditions

Insulation Option	Uninsulated
Operating Temperature Range	-40 – 110 °C [-40 – 230 °F]

Packaging Features

Packaging Quantity	9000
Packaging Method	Strip/Reel

Product Compliance

[For compliance documentation, visit the product page on TE.com>](#)

EU RoHS Directive 2011/65/EU	Compliant
EU ELV Directive 2000/53/EC	Compliant
China RoHS 2 Directive MIIT Order No 32, 2016	No Restricted Materials Above Threshold
EU REACH Regulation (EC) No. 1907/2006	Current ECHA Candidate List: JAN 2022 (223) Candidate List Declared Against: JAN 2022 (223) Does not contain REACH SVHC
Halogen Content	Low Halogen - Br, Cl, F, I < 900 ppm per homogenous material. Also BFR/CFR/PVC Free
Solder Process Capability	Not applicable for solder process capability

Product Compliance Disclaimer

This information is provided based on reasonable inquiry of our suppliers and represents our current actual knowledge based on the information they provided. This information is subject to change. The part numbers that TE has identified as EU RoHS compliant have a maximum concentration of 0.1% by weight in homogenous materials for lead, hexavalent

chromium, mercury, PBB, PBDE, DBP, BBP, DEHP, DIBP, and 0.01% for cadmium, or qualify for an exemption to these limits as defined in the Annexes of Directive 2011/65/EU (RoHS2). Finished electrical and electronic equipment products will be CE marked as required by Directive 2011/65/EU. Components may not be CE marked. Additionally, the part numbers that TE has identified as EU ELV compliant have a maximum concentration of 0.1% by weight in homogenous materials for lead, hexavalent chromium, and mercury, and 0.01% for cadmium, or qualify for an exemption to these limits as defined in the Annexes of Directive 2000/53/EC (ELV). Regarding the REACH Regulation, the information TE provides on SVHC in articles for this part number is based on the latest European Chemicals Agency (ECHA) 'Guidance on requirements for substances in articles' posted at this URL: <https://echa.europa.eu/guidance-documents/guidance-on-reach>

Compatible Parts



TE Part # 150571-2
FF 110 REC 0.2-0.56MM2 TPBR



TE Part # 2-2150415-1
OCEAN_2.0_APPLICATOR-E-055F090F



TE Part # 2-2150415-2
OCEAN_2.0_APPLICATOR-E-055F090FA



TE Part # 2150415-1
OCEAN_2.0_APPLICATOR-E-055F090F



TE Part # 2150415-2
OCEAN_2.0_APPLICATOR-E-055F090FA



TE Part # 7-2150415-1
OCEAN_2.0_APPLICATOR-E-055F090F



TE Part # 7-2150415-2
OCEAN_2.0_APPLICATOR-E-055F090FA



TE Part # 7-2150415-7
OCEAN_2.0_SPARE_PART_KIT-055F090F



TE Part # 737255-5
FF 110 REC 0.5-1.0MM2 TPBR



TE Part # 881799-2
FASTIN ON .110 REC

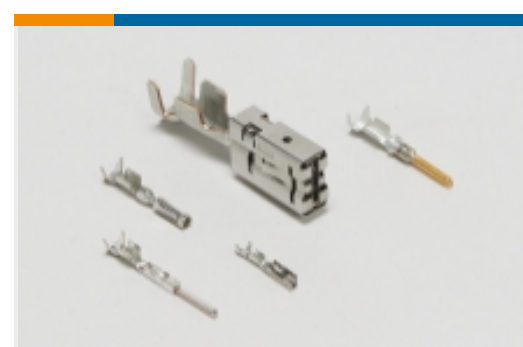


TE Part # 881799-3
.110 SER. FASTIN-ON

Also in the Series | FASTIN-FASTON 110



Automotive Housings(1)



Automotive Terminals(4)



Crimp Terminal Housings(34)

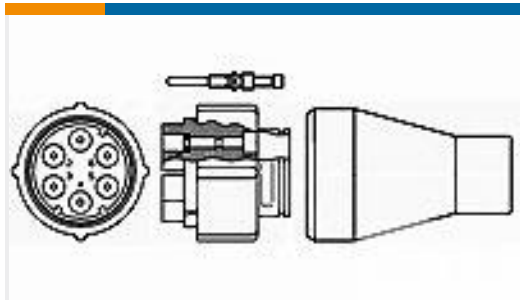


Insertion & Extraction Tools(3)

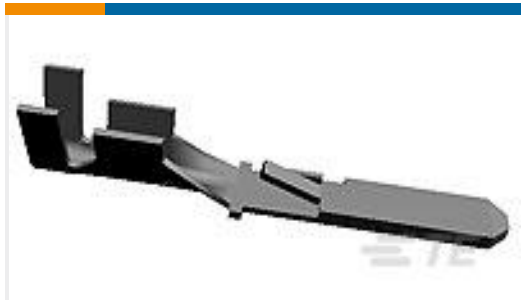


Quick Disconnects(83)

Customers Also Bought



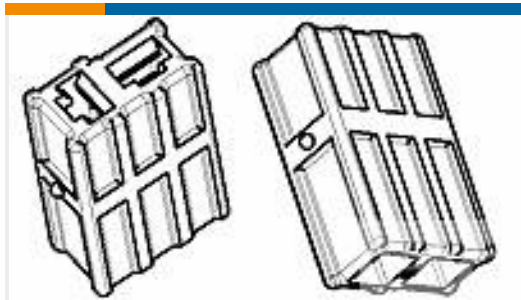
TE Part #863024-1
LGH PLUG ASSY HV 7 PIN



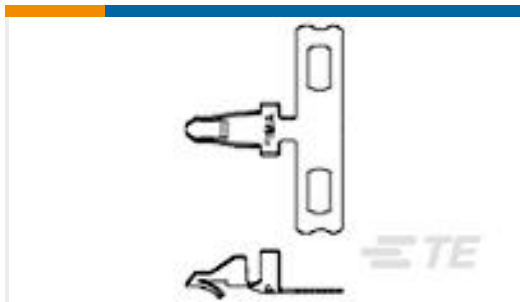
TE Part #160743-4
110 FASTIN FASTON,TAB,20-16 AWG, PTBR



TE Part #60553-1
RING CRIMP 24-20 AWG TPBR



TE Part #626064
2 WAY FASTIN-ON 110 HOUSING REC PA66 NAT



TE Part #3-350566-1
MINI AMP-IN 22-18 PTLP/PHBZ



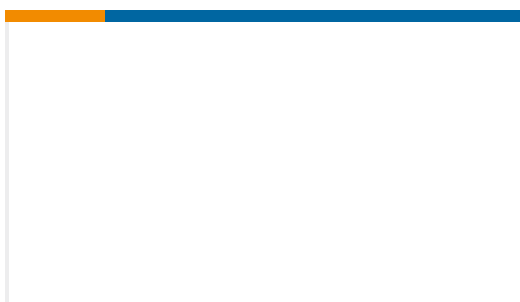
TE Part #62274-1
250 FASTON REC 22-18 AWG TPBR



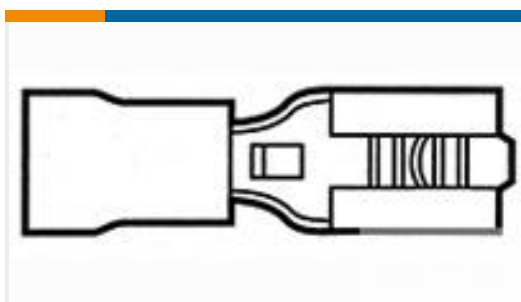
TE Part #647664-2
02P SL156 HSG SPCL SINGLE TAB



TE Part #5822021-5
80 ME .050 VERT M/L PB-FREE



TE Part #2157915-1
Single Module Receptacle Assembly



TE Part #696108-1
.187 PIDG FASTON REC.16-14

Documents

Product Drawings

[FF 110 REC 24-20AWG TPBR](#)

English

CAD Files

[3D PDF](#)

3D

Customer View Model

[ENG_CVM_CVM_1217281-2_R_c-1217281-2-r.2d_dxf.zip](#)



English

Customer View Model

[ENG_CVM_CVM_1217281-2_R_c-1217281-2-r.3d_igs.zip](#)

English

Customer View Model

[ENG_CVM_CVM_1217281-2_R_c-1217281-2-r.3d_stp.zip](#)

English

By downloading the CAD file I accept and agree to the [Terms and Conditions](#) of use.

Datasheets & Catalog Pages

[FASTIN_FASTON_Product_Line](#)

English

Product Specifications

[Application Specification](#)

English

[FASTIN-FASTON 110, 187, 205 And 312 Series Receptacle Contacts](#)

English

Product Environmental Compliance

[TE Material Declaration](#)

English