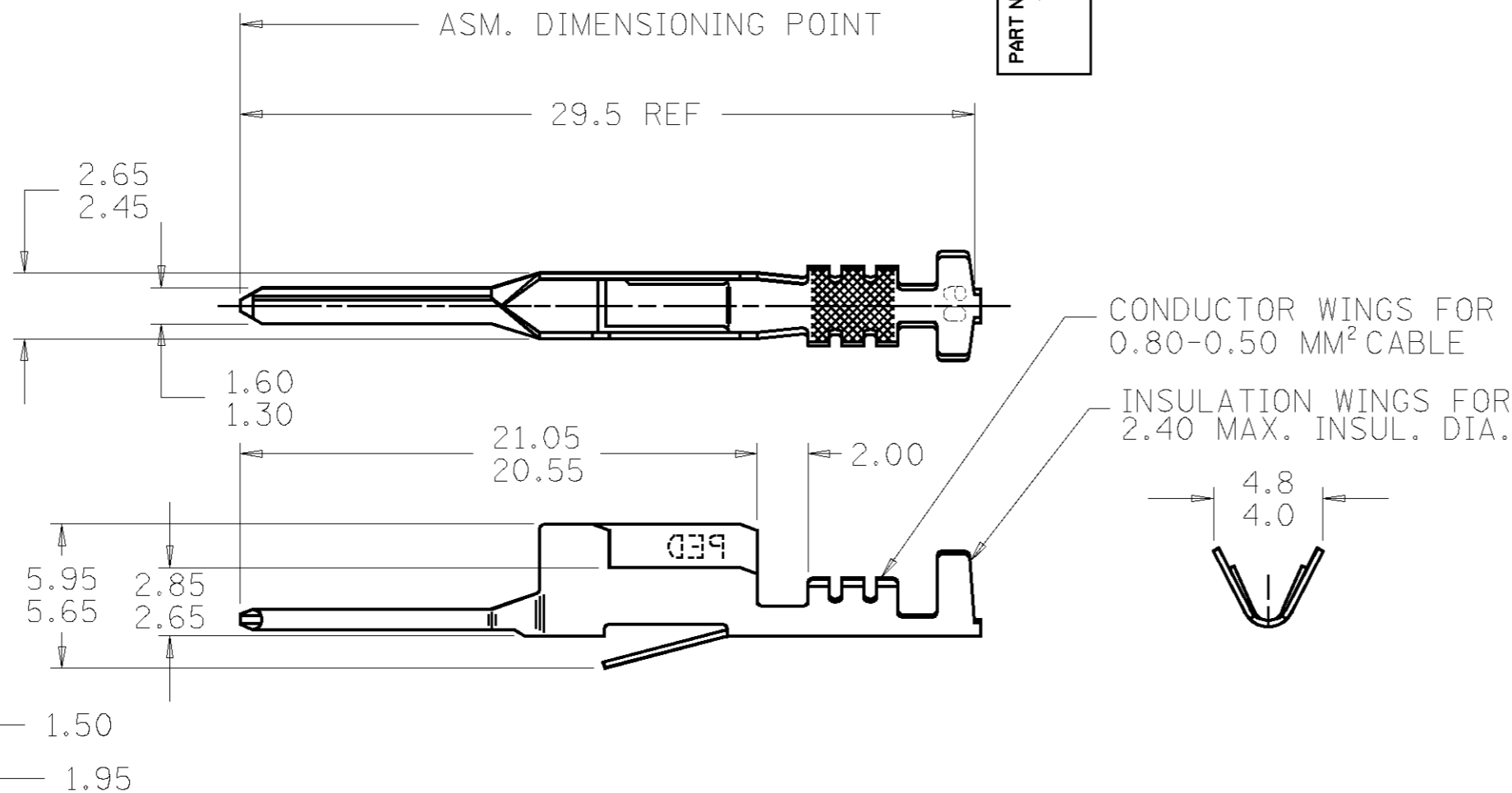


D

THIS DRAWING AND DESIGN HEREON CONSTITUTES A PROPRIETARY DESIGN OF PACKARD ELECTRIC DIVISION AND IS NOT TO BE DUPLICATED OR REPRODUCED WITHOUT AUTHORITY OF PACKARD ELECTRIC DIVISION.

DO NOT SCALE

PART NO. 1209 2135



PACKARD ELECTRIC DIVISION
GENERAL MOTORS CORPORATION
WARREN, OHIO

NOTES — 1. MATING TERMINAL 12052922 OR EQUIVALENT.
2. MAX. INSULATION CRIMP: 2.90 HIGH X 2.70 WIDE.

DATE	SYM	REVISION RECORD	AUTHORITY	DR	CK
10N088	A	PART NO WAS PE009888	—	JR	RC
08FE89	—	RELEASED	890005	DBB	DBB
07MR89	—	ADDED SDR 179 TO REFERENCE NO.	125160	FDS	FDS
07AU89	B	REVISED MATERIAL	129274	GF	GF
21AU89	C	REVISED GRAPHICS	129319	JEH	JEH
06OC89	D	REVISED GRAPHICS	129726	TPM	TPM
24N097	—	REVISED DETAIL DWG	183958	GLH	GLH

3.03 PED/INTEGRAL EMS		FILE SPEC: ****USER**** DGN#SPECIFICATION***** ****SYTIME*****
THIRD ANGLE PROJECTION 		METRIC DIMENSIONS ARE IN MILLIMETERS UNLESS OTHERWISE SPECIFIED.
CODE NO. 6900	TOLERANCE UNLESS OTHERWISE SPECIFIED DECIMAL: ANGULAR ± 2° ONE PLACE ± 0.3 TWO PLACE ± 0.15	
Q.C.	DR. JEFF REEVES 10N088	
DWG. DATE 10N088	SCALE NONE	CK. R.W. CROUSE DATE 12N088
EST. NO.	APPR. R.W. CROUSE	DATE 16FE89
REFERENCE NO. SDR 179 12092368 "D" SIZE	APPR. T.E. GENT	DATE 17FE89
MATERIAL SPEC. 0.254 THK SAE 425 TIN BRASS		
NAME TERM M M/P 150 SER P2S		
PART NO.	1209 2135	SIZE B
OUTLINE DRAWING		