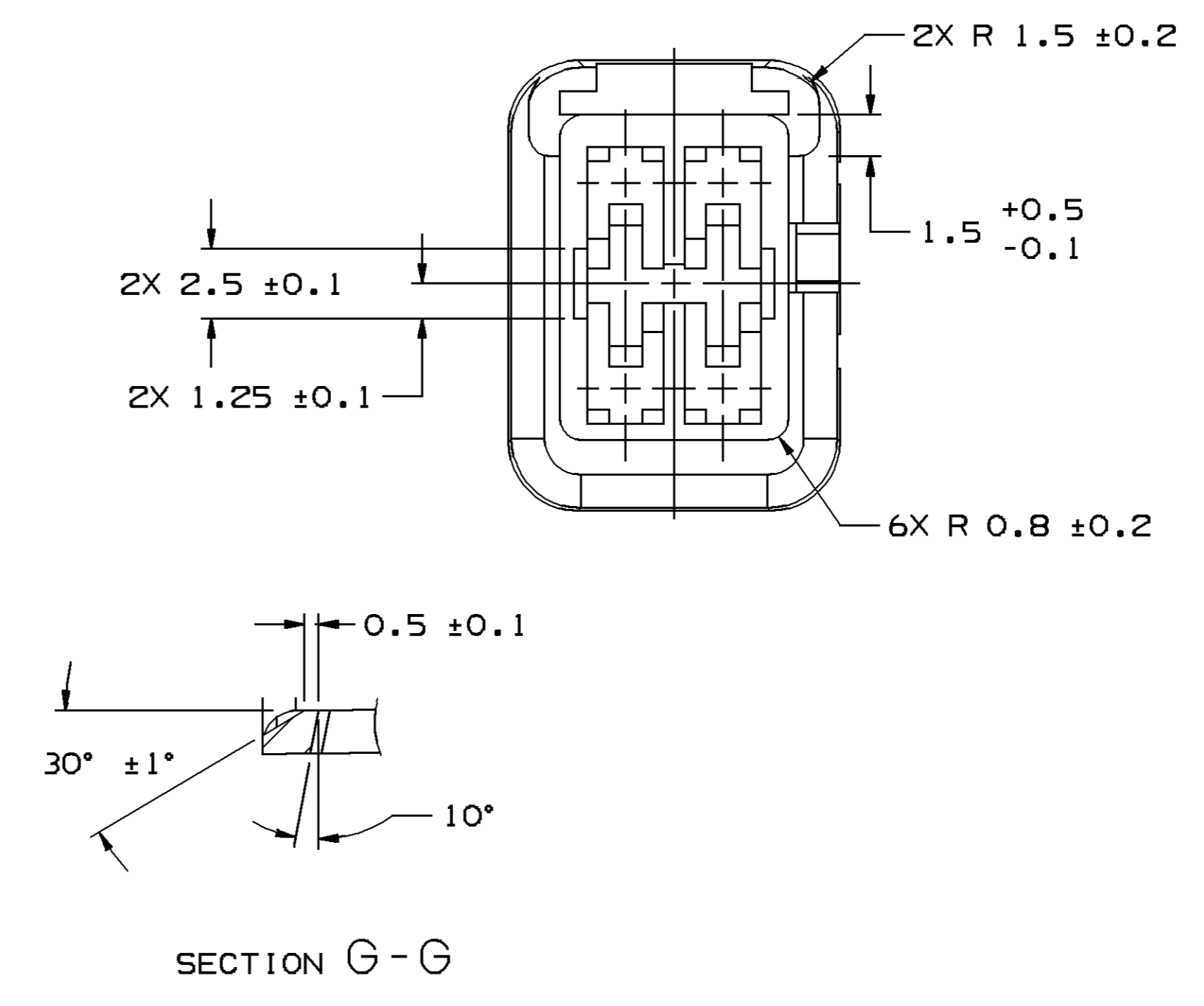
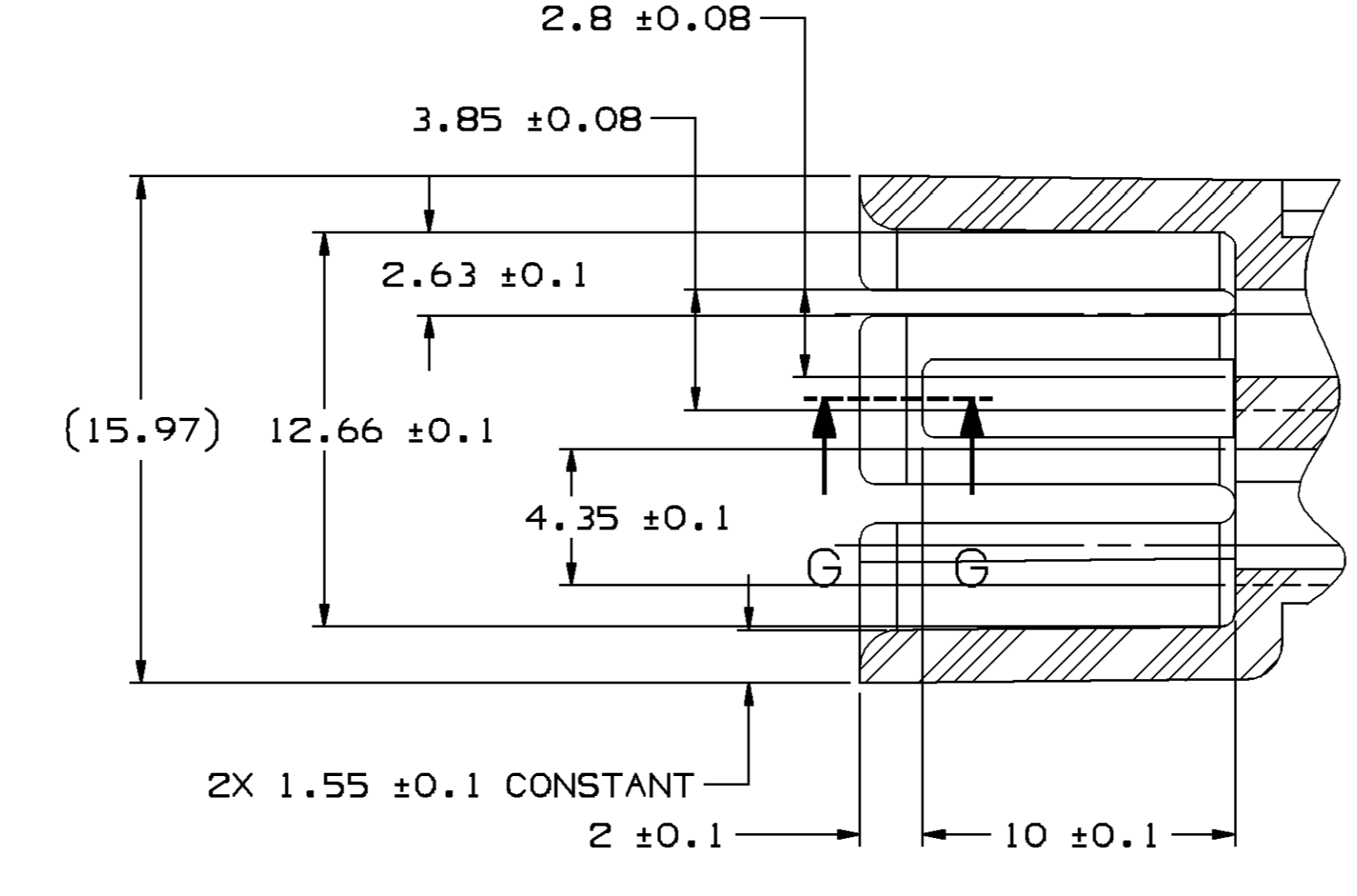
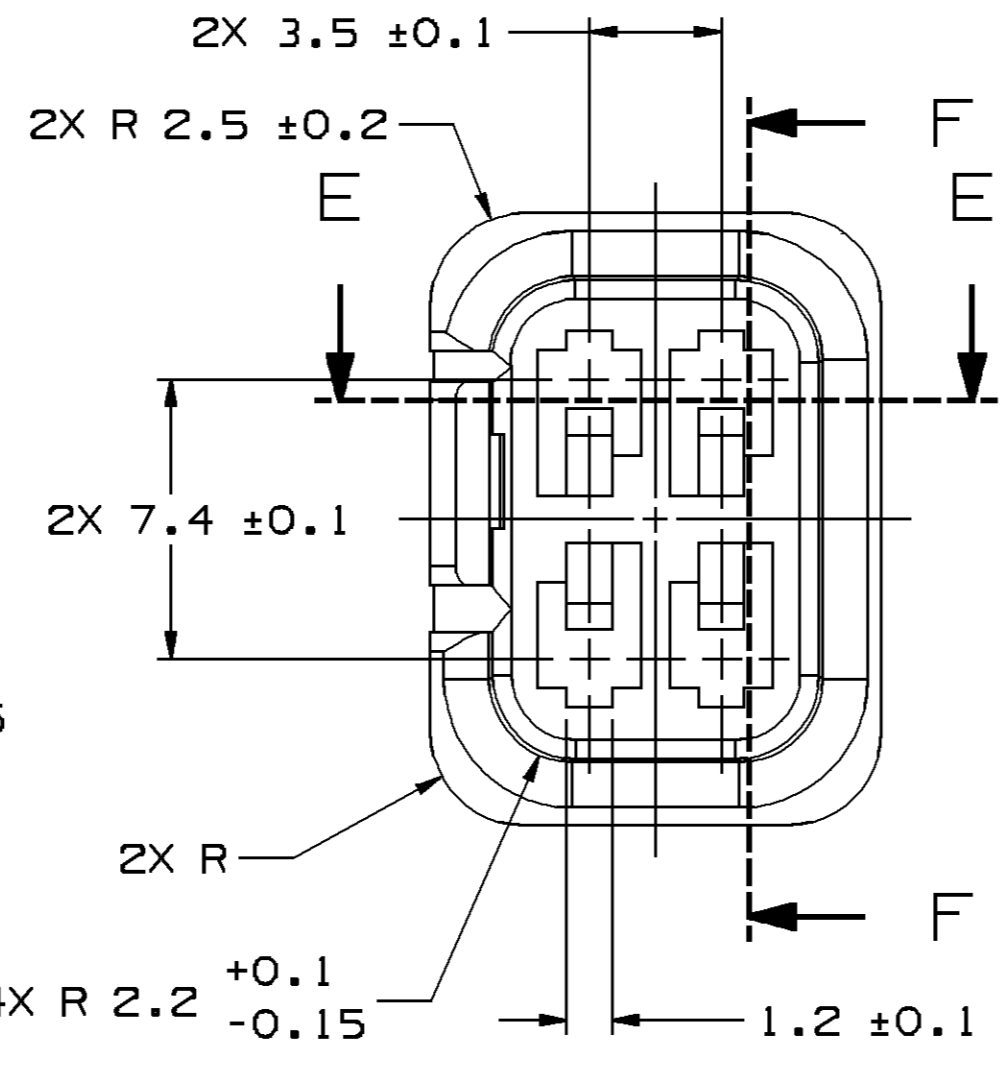
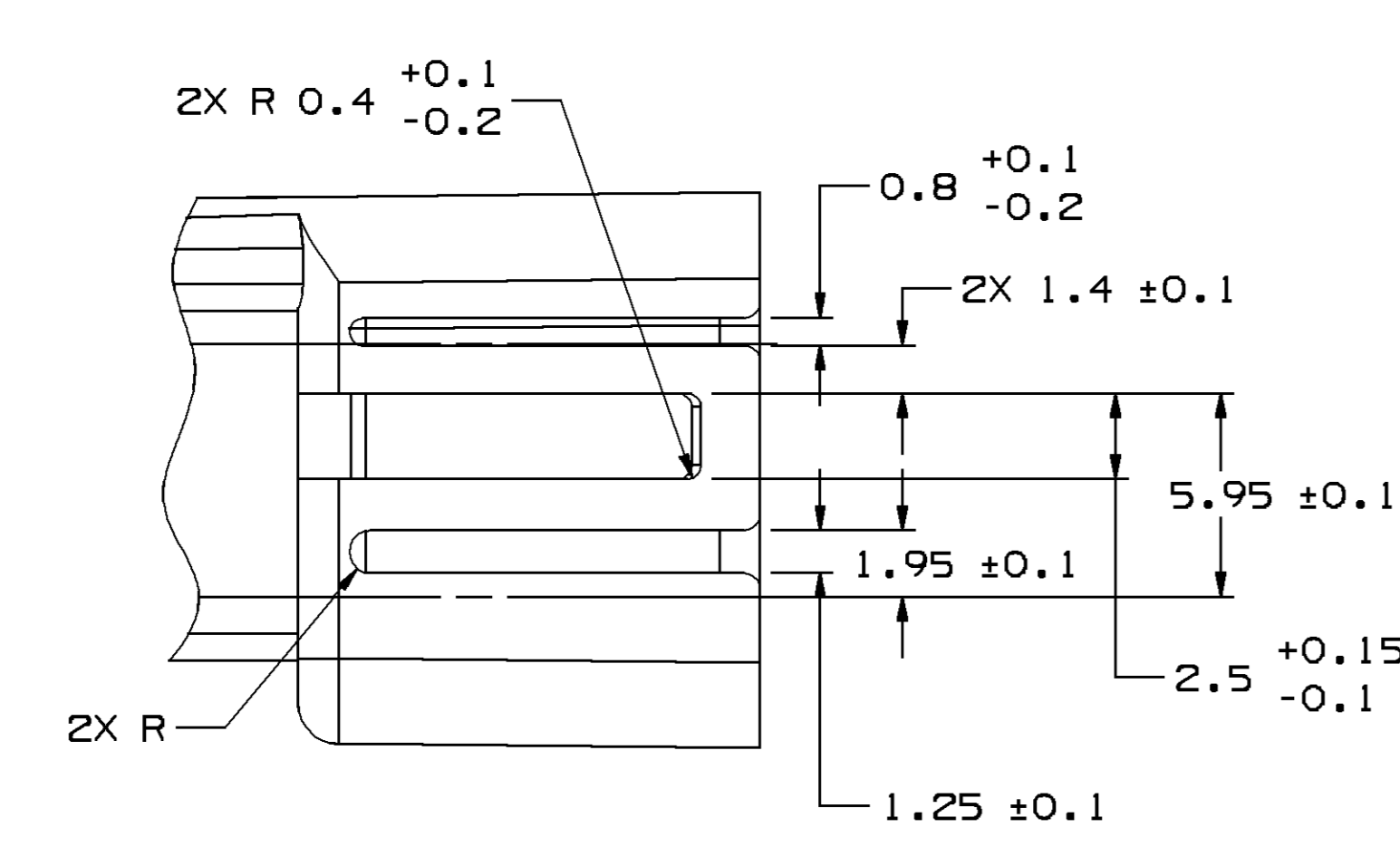
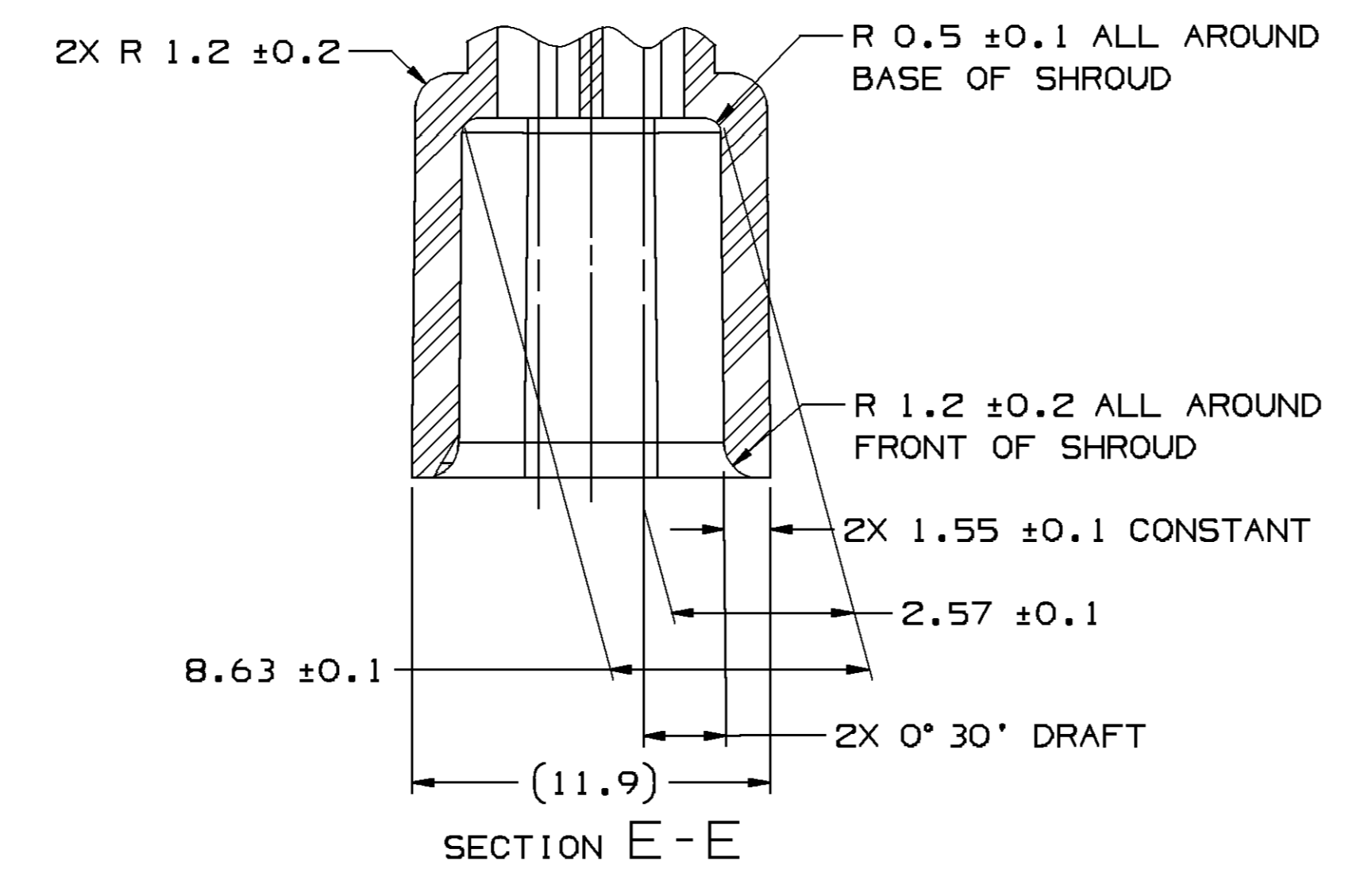
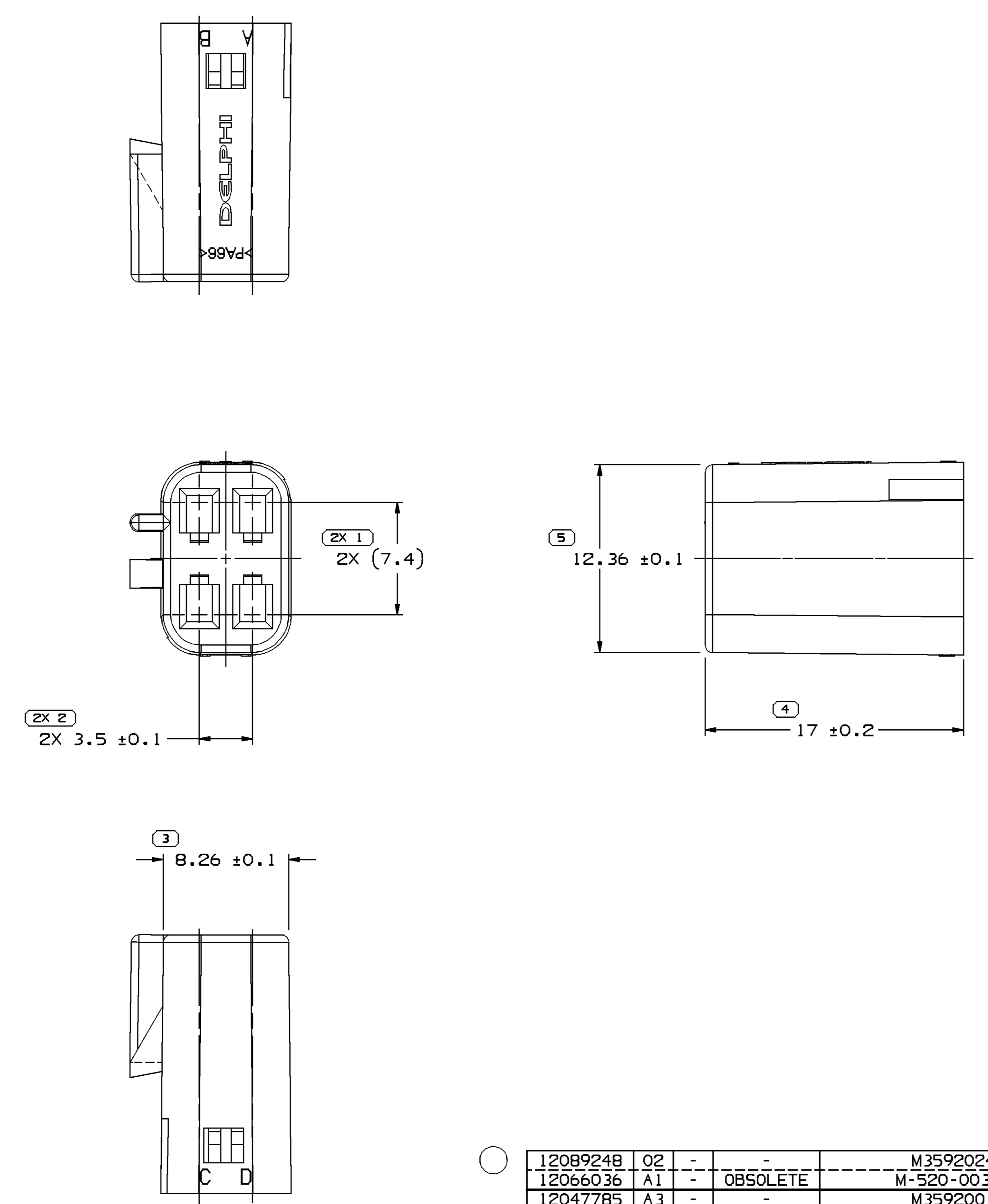
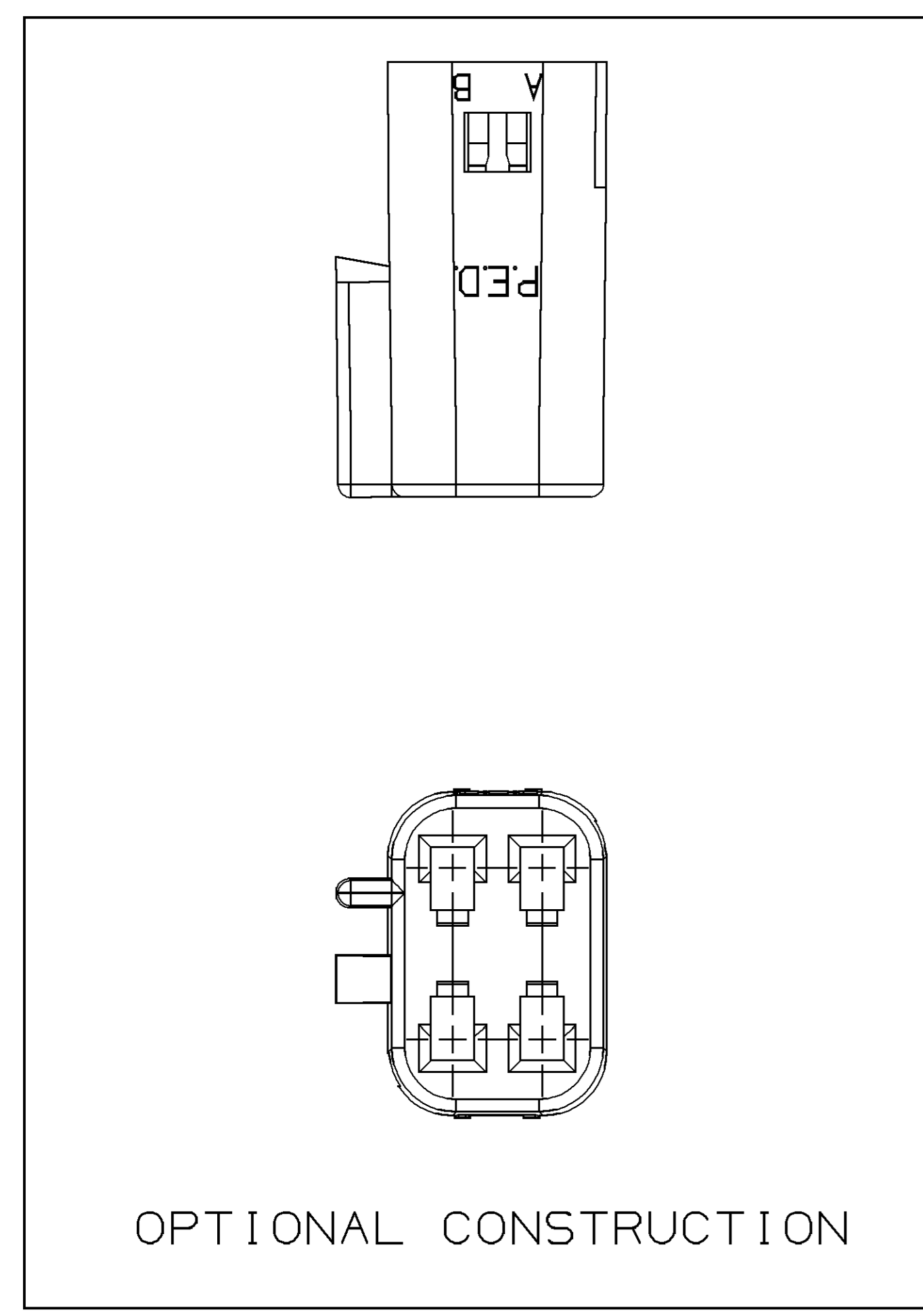


SYMBOL DEFINITION		
A DIMENSION WITHOUT AN INSPECTION REPORT SYMBOL () DOES NOT REQUIRE INSPECTION. IT MAY BE CONTROLLED ON THE INDIVIDUAL COMPONENT DRAWING.	TOTAL NO OF INSPECTIONS REQUIRED	7
	LAST NO. USED	5

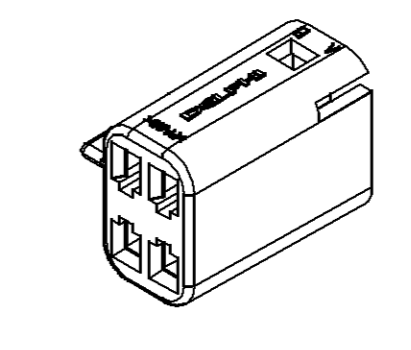
DWG STATUS				REVISION HISTORY				AUTH			
DATE	STG	REV	N/P	CHG	ZONE				DR	APVD	APVD
18APO2	R	01	-	-		CREATED PDM, ADDED OPTIONAL LOGO & MAT'L RECYCLING CODE NOTES AND REVISED MAT'L SPEC	223877	JGR	EDV	BMC	
21AUG2	R	02	-	-		UPDATED PDM ATTRIBUTES	229398	JGR	EDV	BMC	
04SE02	R	03	-	-		ALL ACTIVE PARTS - SECONDARY TERMINAL LOCK NOTE WAS 12047664	230019	RVP	RVP	BMC	
03MR06	R	04	-	-		12066036 - OBSOLETE	277982	RMG	JAA	BD6	
06APO6	R	05	-	-		12089248 - MAT'L SPEC WAS M3592002	278998	SPS	JAA	GG1	



MATING CONNECTOR INFORMATION



- NOTES
- UNLESS OTHERWISE SPECIFIED AND/OR INDICATED: DIMENSIONS ARE TO FACE OF VIEW SHOWN AND AUTOMATICALLY ROUNDED BY COMPUTER FOR INSPECTION (SEE MATH MODEL FOR PRECISE DIMENSIONS). FOR ALL OTHER DIMENSIONS NOT SHOWN BUT REQUIRED FOR TOOL BUILD, SEE MATH MODEL FOR PRECISE TOOL PATH DATA.
 - MATERIAL RECYCLING CODE PER ISO 11469. (2.3)X(0.1) CHARACTERS AS SHOWN TO BE LOCATED ON ANY EXTERIOR SURFACE. OPTIONAL CONSTRUCTION TO BE NO MATERIAL RECYCLING CODE.
 - THIS PART IS NOT CONTROLLED FOR AUTOMATIC FEEDING.
 - REFERENCE MATING COMPONENTS OR EQUIVALENT: CONNECTOR - SEE CHART TERMINAL - 12047883
 - THIS PART ACCEPTS THE FOLLOWING COMPONENTS OR EQUIVALENT: SECONDARY LOCK - 15324070 (2 PLCS.)
 - THIS CONNECTOR WILL PASS THRU A Ø 14 MIN. HOLE.
 - (2.3)X(0.1) DELPHI CORPORATE BRAND TO BE LOCATED ON ANY EXTERIOR SURFACE, PREFERABLY VISIBLE AT FINAL ASSEMBLY. OPTIONAL CONSTRUCTION TO BE "PED" OR NO LOGO.
 - THIS CONNECTOR LIMITED TO A MAX. INSULATION CRIMP OF 2.3 HIGH X 2.7 WIDE.



PART NO	REV	N/P	STATUS	MATERIAL SPECIFICATION AND COLOR	MATING CONNECTOR	VOLUME CM ³
12089248	02	-	-	M3592024 PA66 HS IM CRM	12089247	1.007
12066036	A1	-	OBSOLETE	M-520-003 NYLON 66 - WHITE	12066037	-
12047785	A3	-	-	M3592001 PA66 HS IM BLK	12047786	1.007

DIMENSIONAL RANGE (MM)		CHART	ET
FROM	TO		
> 0	> 20	> 30	> 70
> 20	> 30	> 70	> 100
> 30	> 70	> 100	> 150
> 70	> 100	> 150	> 200
> 100	> 150	> 200	> 250
> 150	> 200	> 250	> 300
> 200	> 250	> 300	> 400

DELPHI
DELPHI PACKARD ELECTRIC SYSTEMS
WARREN, OH

DR	DATE
APVD1 J. GAVALDON	18APO2
APVD2 E. VAZQUEZ	18APO2
APVD3 G. MACIAS	19APO2
APVD4	
APVD5	

MATERIAL: SUBSTANCES OF CONCERN AND RECYCLED CONTENT PER DELPHI 10949001
SEE CHART

DRAWING NAME: TAXI CONN F M/P 150
DRAWING NUMBER: 12066046

SIZE: A0
SCALE: 5:1
FRAME NO: 1 OF 1
SHEET NO: 1 OF 1
REV: R 05