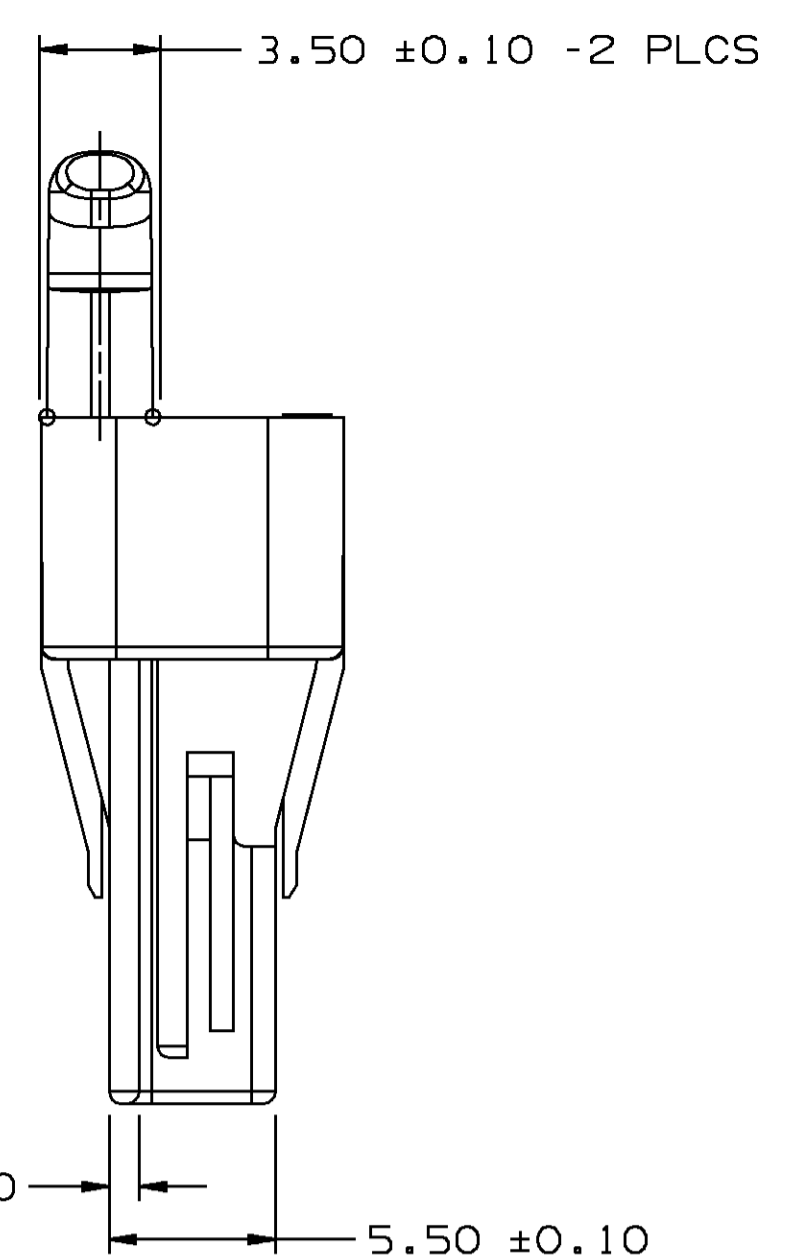
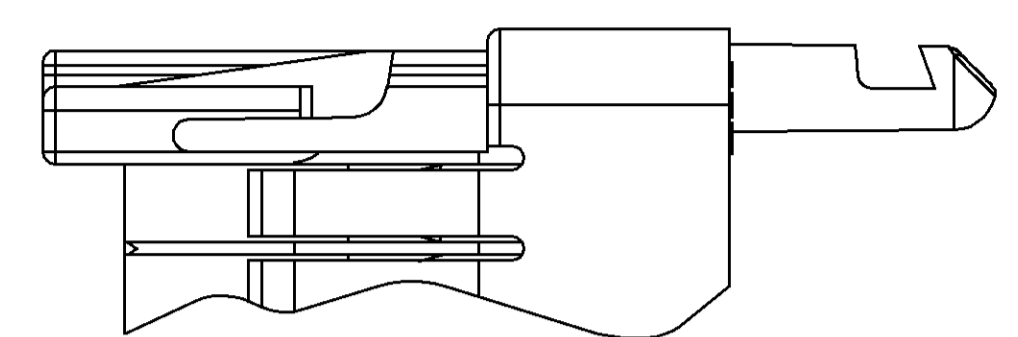


DO NOT SCALE

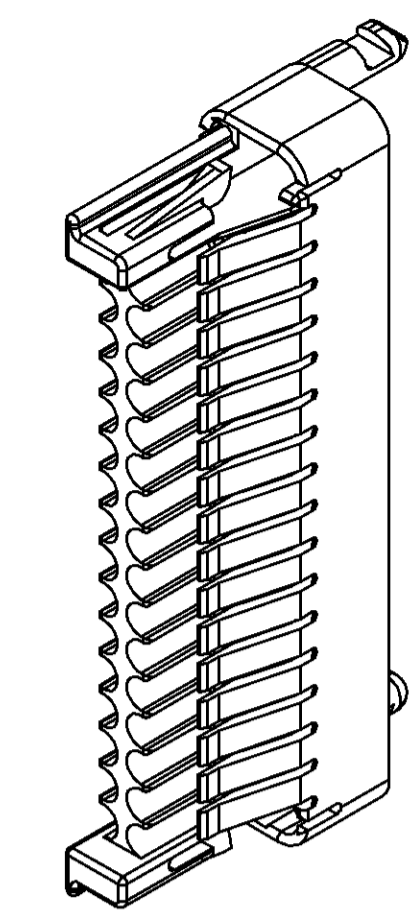
D



PART NO
1212 9025



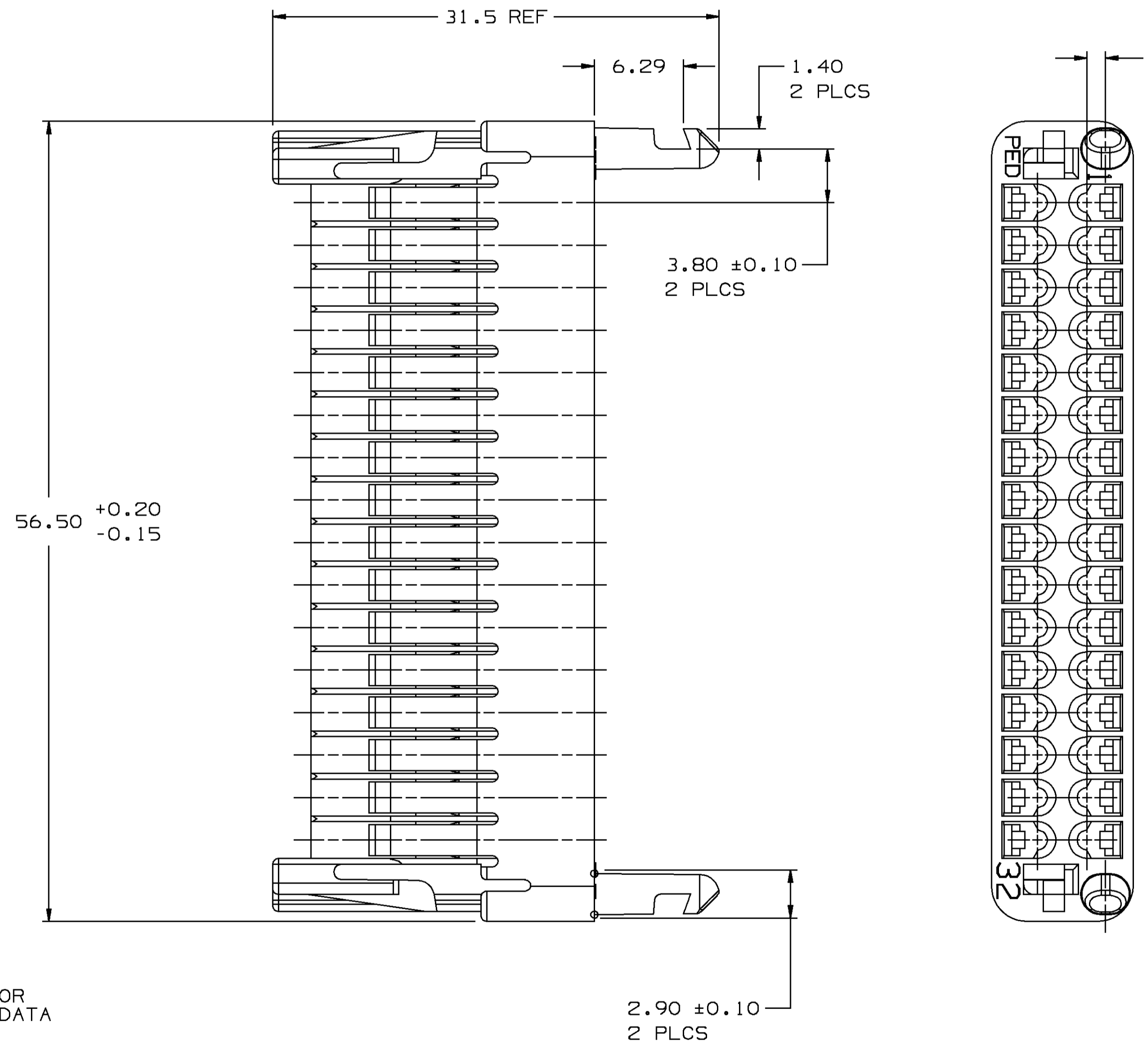
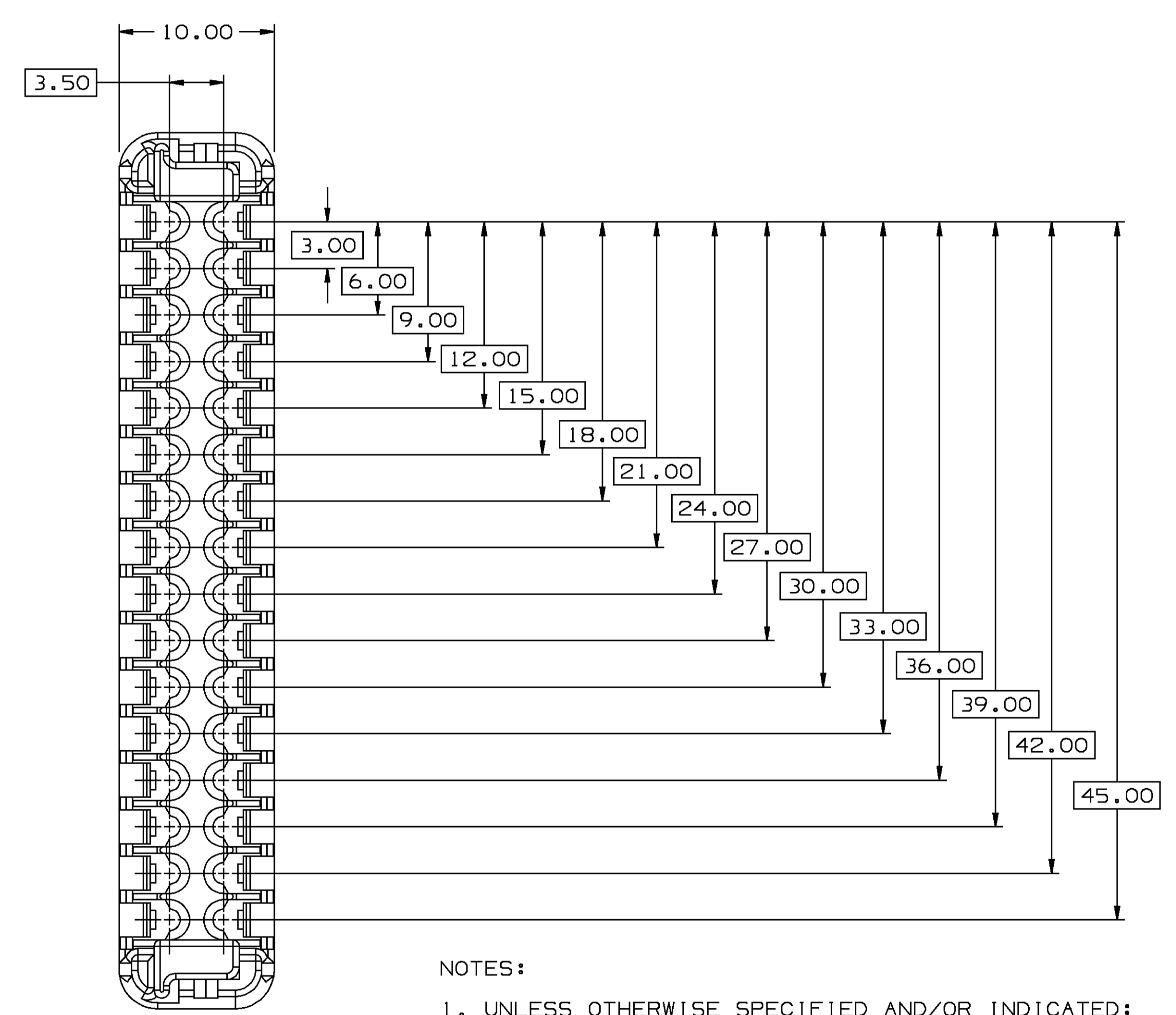
OPTIONAL CONSTRUCTION
CORE SUPPORT SLOT MAY BE REMOVED -4 PLCS



SCALE 2:1

DATE	SYM	REVISION RECORD	AUTH	DR	CK
23JL96	J1	REDRAWN & MAT'L SPEC WAS			
		POLYESTER PBT - NATURAL	171680	JCS	WTF
230C96	J2	ADDED OPTIONAL			
		CONSTRUCTION	174299	PHCFKV	
24N097	J3	MAT'L WAS R0100185	183243	PHCJHV	

DELPHI PACKARD ELECTRIC SYSTEMS
WARREN, OHIO 44466



NOTES:

- UNLESS OTHERWISE SPECIFIED AND/OR INDICATED: DIMENSIONS ARE TO FACE OF VIEW SHOWN AND AUTOMATICALLY ROUNDED BY COMPUTER FOR INSPECTION. (SEE MATH MODEL FOR PRECISE DIMENSION) FOR ALL OTHER DIMENSIONS NOT SHOWN BUT REQUIRED FOR TOOL BUILD, SEE MATH MODEL FOR PRECISE TOOL PATH DATA
- MATING COMPONENTS:
TERMINAL 12084912 OR EQUIVALENT
RETAINER 12129021 OR EQUIVALENT
SEAL 12129026 OR EQUIVALENT
STRAIN 12129030 OR EQUIVALENT
- THIS PART ALSO USED WITH CPA 12110299, CAVITY PLUG(S) 12129557, AND WHEN FULLY ASSEMBLED MATES TO HEADER CONNECTOR ASSEMBLY 12129006 OR EQUIVALENTS
- DIMENSIONS MARKED "REF" ARE FOR REFERENCE ONLY AND NO TOLERANCE LIMITS ARE ESTABLISHED
- CONNECTOR ENGAGE FORCE CODE X

PART NO
1212 9025

DRAWING TYPE PID	OTHER DRAWINGS AVAILABLE DETAIL/CPAD
Utigraphics II	METRIC DIMENSIONS ARE IN MILLIMETERS UNLESS OTHERWISE SPECIFIED
THIRD ANGLE PROJECTION	TOLERANCE UNLESS OTHERWISE SPECIFIED DECIMAL: ANGULAR ± 2° ONE PLACE ± 0.3 TWO PLACE ± 0.15
CODE NO 6900	QC DES
DWG DATE 12MR90	DR D.K.JENKINS 19FE91
SCALE 4:1	CK J.COLDSNOW 26MR91
REFERENCE NO	APPR CHRIS REIDER 02AP91
MATERIAL SPEC R0100233 PBT MODIFIED NAT HI FLOW	VOL CM ³ 3.987
NAME CONN 32F MIC/P 100W	
PART NUMBER 1212 9025	SIZE A1

THE FOLLOWING APPLY UNLESS OTHERWISE SPECIFIED:
 PERFECT FORM REQUIRED FOR FEATURES-OF-SIZE AT MMC, TRUE POSITION TOLERANCES, AND RELATED DATUMS, APPLY AT CONDITION OF SIZE INDICATED IN FEATURE CONTROL FRAME. OTHER GEOMETRIC TOLERANCES, AND RELATED DATUMS, APPLY RFS. SEPARATE TRUE POSITION CALLOUTS MAY BE GAGED SEPARATELY, REGARDLESS OF DATUM REFERENCE. SEE QM STANDARDS, AND APPLICABLE DIVISIONAL STANDARDS, FOR INTERPRETATION.

GEOMETRIC DRAWING SYMBOLS

□ FLAT	∧ PROFILE OF A LINE	∥ PARALLEL
— STRAIGHT	⊥ PERPENDICULAR	⊙ TRUE POSITION
○ ROUND	⊖ PROFILE OF A SURFACE	⊘ CIRCULAR RUNOUT
∅ CYLINDRICAL	∠ ANGULAR	⊘ TOTAL RUNOUT
⊕ MAXIMUM MATERIAL CONDITION (MMC)		⊘ DIAMETER
⊖ LEAST MATERIAL CONDITION (LMC)		⊠ BASIC DIMENSION
⊗ REGARDLESS OF FEATURE SIZE (RFS)		
⊚ PROJECTED TOL ZONE		