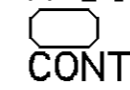
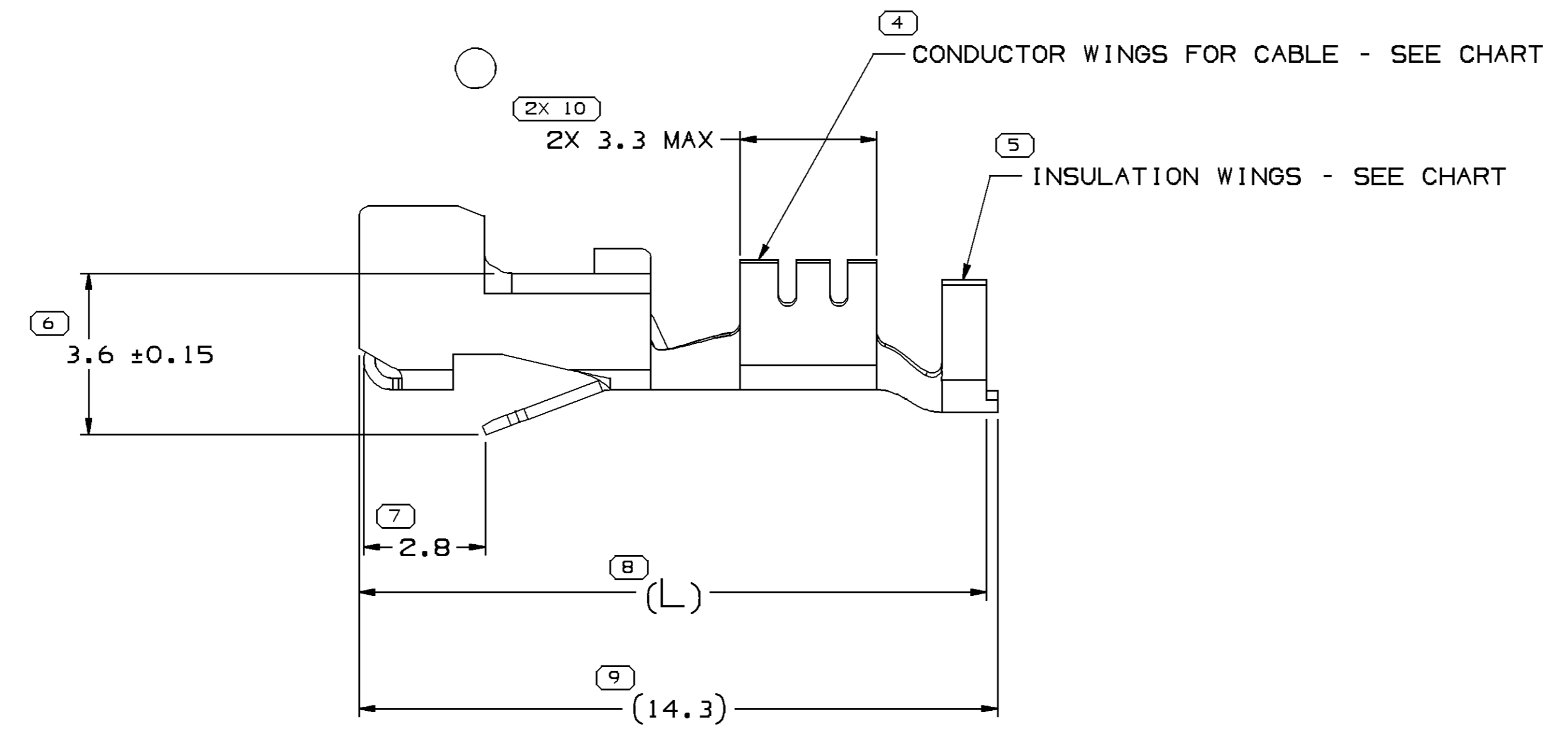
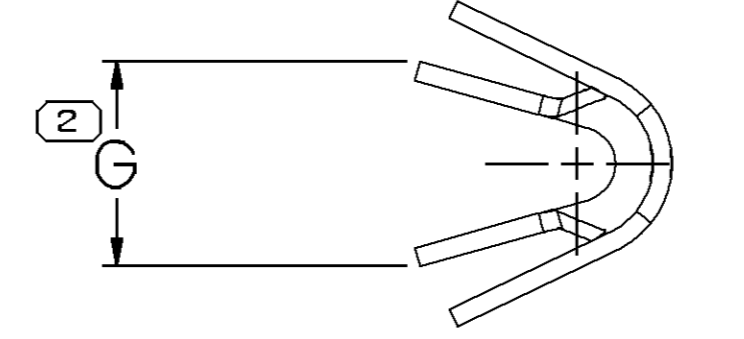
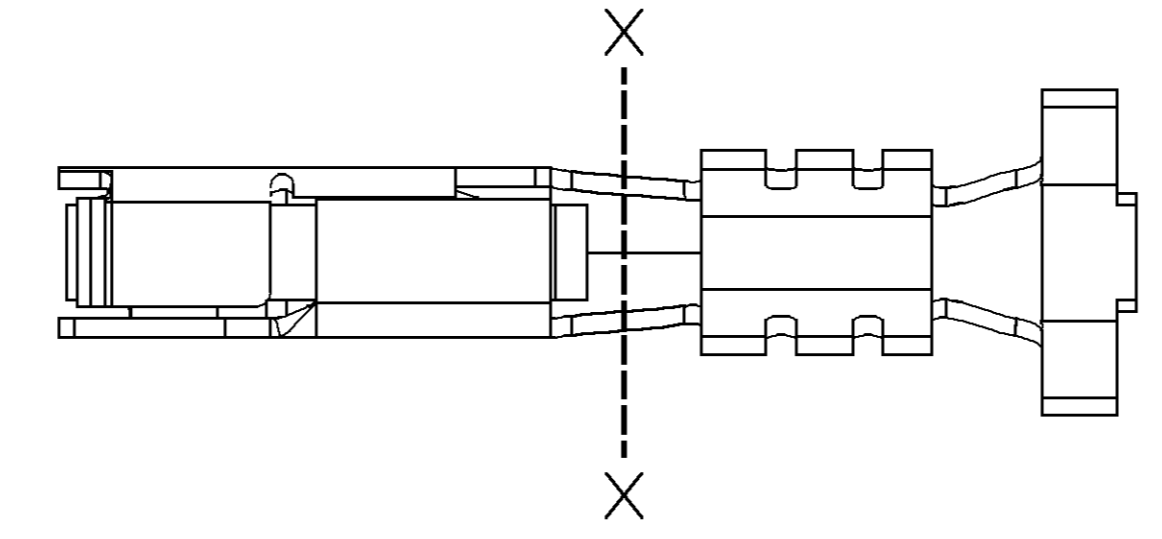
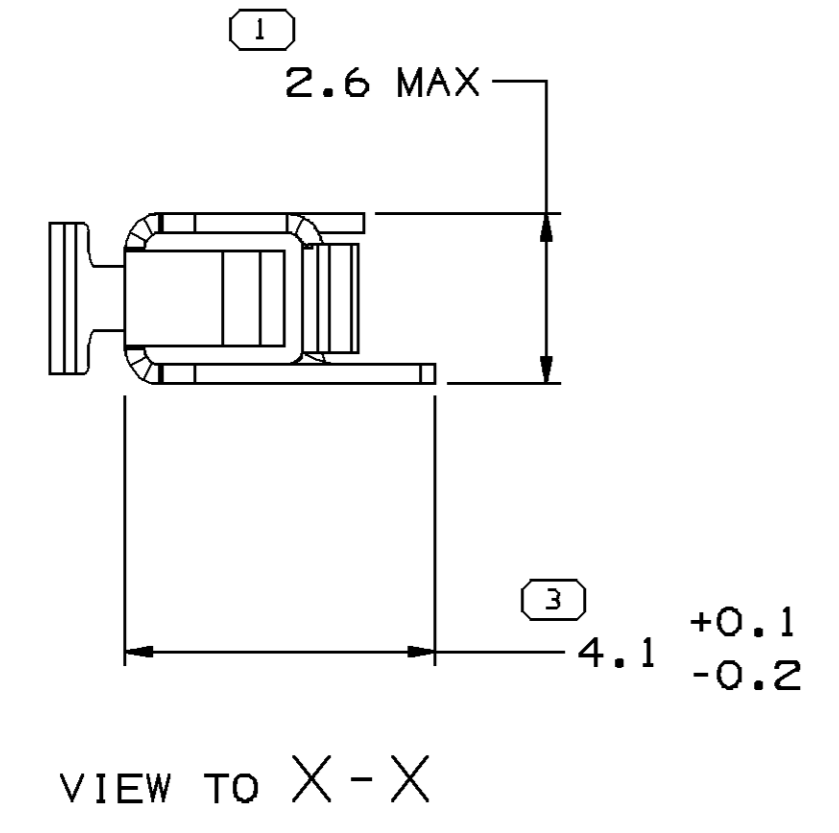
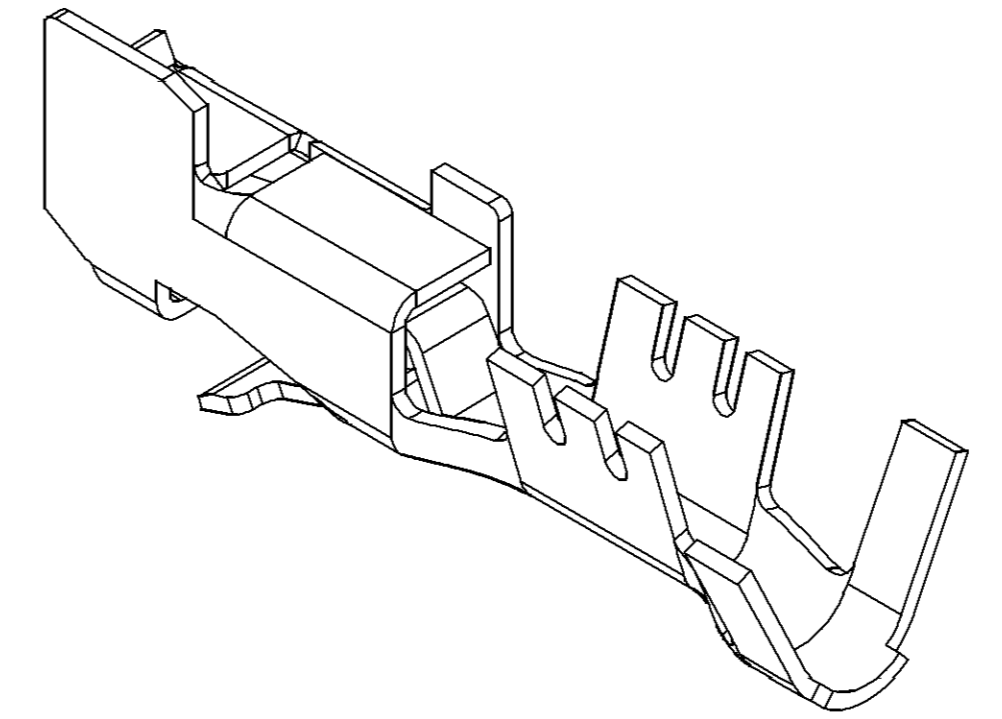


SYMBOL DEFINITION		MISSING SYMBOLS	
A DIMENSION WITHOUT AN INSPECTION REPORT SYMBOL  DOES NOT REQUIRE INSPECTION. IT MAY BE CONTROLLED ON THE INDIVIDUAL COMPONENT DRAWING.	TOTAL NO OF INSPECTIONS REQUIRED	11	NO MISSING SYMBOL NUMBER
	LAST NO. USED	10	

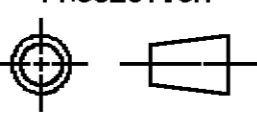
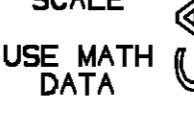
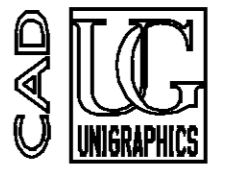
DWG STATUS				ZONE	REVISION HISTORY	AUTH	DR	APVD1	APVD2
DATE	STG	REV	N/P						
17DE01	R	05	-	-	CLEARED REV COL; ALL PARTS - REVISED TOLERANCE CRIMP WINGS	218778	AFM	EDV	GM
26FE04	R	06	-	-	ALL PARTS - CREATED SOLID MODEL	241869	RAO	EAR	BG
280C04	R	07	-	-	UPDATED PDM ATTRIBUTES	260569	MJM	MJM	BG
180C05	R	08	-	-	UPDATED PDM ATTRIBUTES	272913	EFM	JVM	BG
02AU06	R	09	-	-	ALL PARTS - ADDED 3.3 MAX DIM	283169	TLD	TLD	BG



NOTES

- UNLESS OTHERWISE SPECIFIED AND/OR INDICATED:
DIMENSIONS ARE TO FACE OF VIEW SHOWN AND AUTOMATICALLY ROUNDED BY COMPUTER FOR INSPECTION (SEE MATH MODEL FOR PRECISE DIMENSIONS). FOR ALL OTHER DIMENSIONS NOT SHOWN BUT REQUIRED FOR TOOL BUILD, SEE MATH MODEL FOR PRECISE TOOL PATH DATA.

(6) PROCESS SENSITIVE DIMENSION	
DIMENSIONS ENCLOSED IN () INDICATE REFERENCE DIMENSIONS AND NO TOLERANCE LIMITS ARE ESTABLISHED	
DIMENSIONAL RANGE (MM)	CHART D
FROM 0	> 12
TO 12	
TOLERANCE UNLESS OTHERWISE SPECIFIED	
±0.1	±0.2
ANGULAR TOLERANCE ±2°	

DWG TYPE PART DRAWING	
STYLE	
VOLUME (CPI)	DISTR CODE D
UNLESS OTHERWISE SPECIFIED	
THIS DOCUMENT IS IN ACCORDANCE WITH ASME Y14.5M-1994 AS AMENDED BY THE GM GLOBAL DIMENSIONING AND TOLERANCING ADDENDUM - 1997. ALL GEOMETRIC TOLERANCES AND RELATED DATUMS APPLY RFS. RULE #1 (PERFECT FORM AT MMC) DOES NOT APPLY WHEN RELATIONSHIP BETWEEN FEATURES IS ESTABLISHED BY ORIENTATION OR LOCATION TOLERANCES. SEPARATE POSITION CALLOUTS MAY BE GAGED SEPARATELY, REGARDLESS OF DATUM REFERENCE. ALL DIMENSIONS ARE IN MILLIMETERS	
REFERENCE	
THIRD ANGLE PROJECTION	DO NOT SCALE
	
USE MATH DATA	

DELPHI

DELPHI PACKARD ELECTRIC SYSTEMS
WARREN, OH

DR	DATE
APVD1 J. VAZQUEZ	08FE96
APVD2 A. UGALDE G.	15JA96
APVD3 A. UGALDE G.	15JA96
APVD4	
APVD5	
SUBSTANCES OF CONCERN AND RECYCLED CONTENT PER DELPHI 10945001	
MATERIAL SEE CHRT	
DRAWING NAME TAXI TERM F M/P 150.2 TANG	
DRAWING NUMBER 12124077	
SIZE A1	SCALE 10:1
FRAME NO 1 OF 1	SHEET NO 2 OF
STG R	REV N/P 09 -

		0.254 X 26.97		12191054	03	AE		M3660BNB	0.5-.035	2.2-1.3	21	2.2	14.2
		0.254 X 26.97		12176860	03	AE		M3660BNB	1-0.8	2.4-2.03	17	2.7	14
PART NO	REV N/P	STATUS	MAT'L SIZE	MAT'L SPEC	PART NO	REV N/P	STATUS	MAT'L SPEC	SIZE (MM²)	DIA	ID	G ± 0.2	L
UNPLATED				PLATED									
				CABLE									