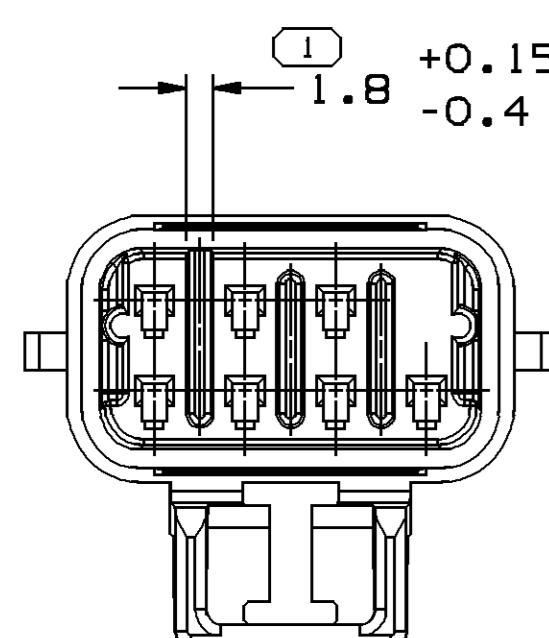
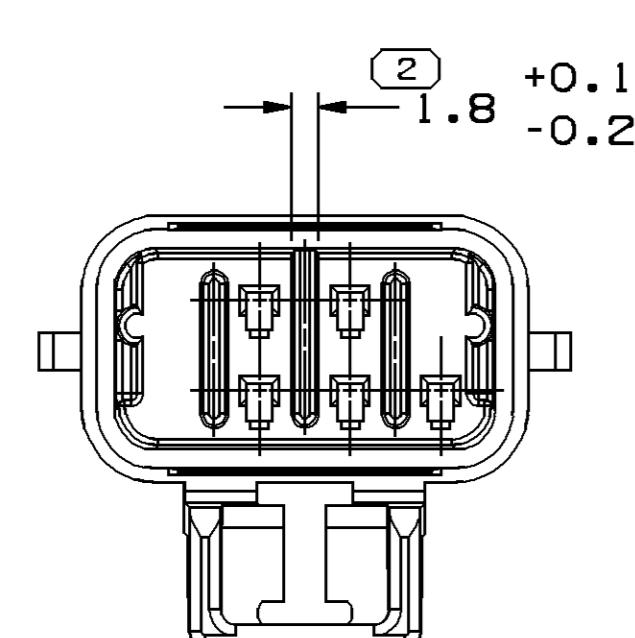


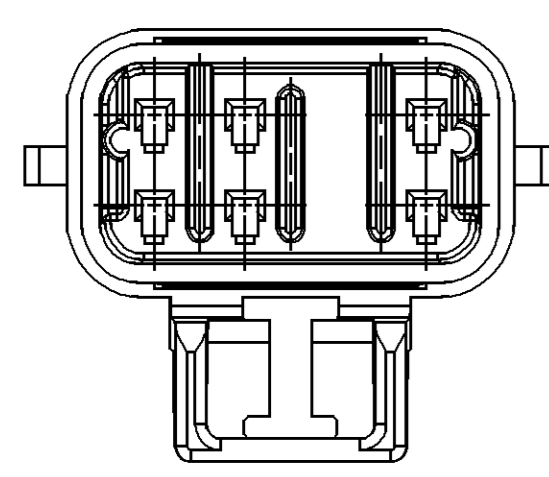
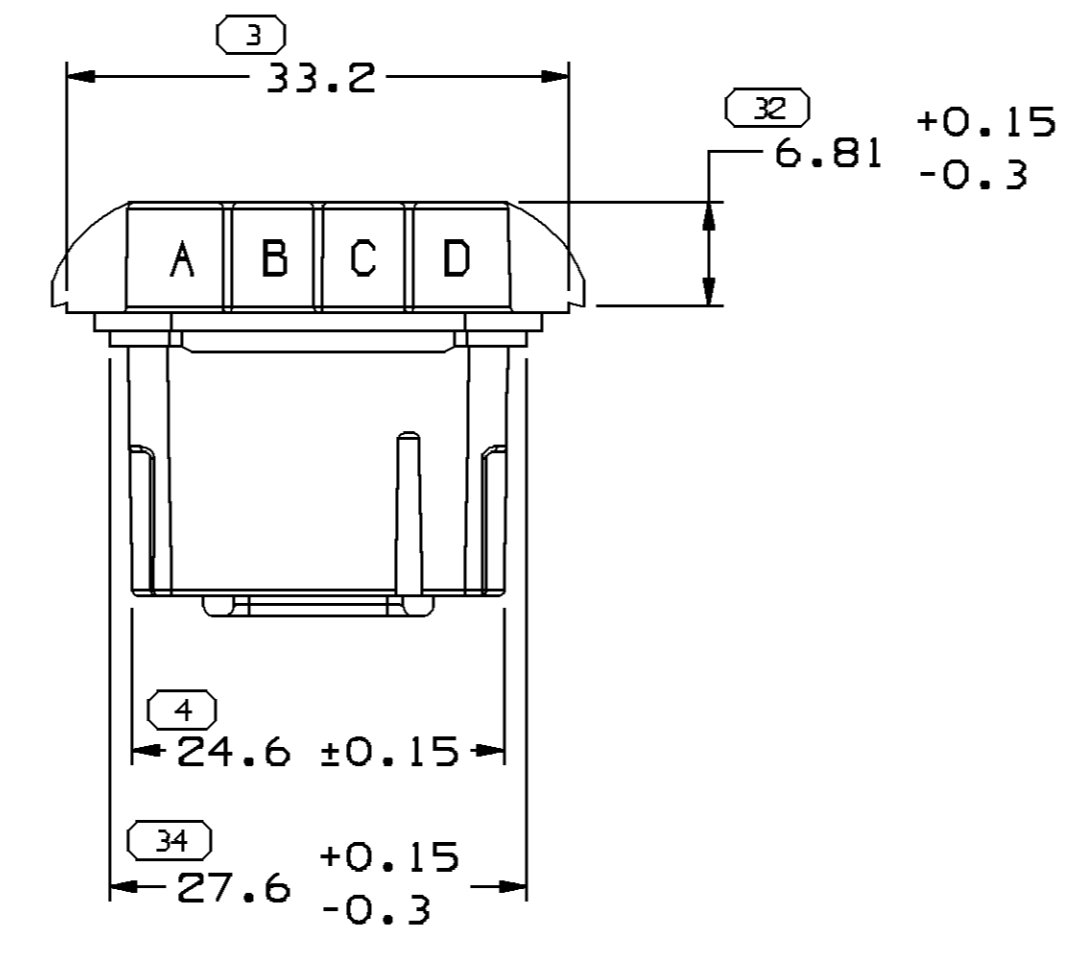
SYMBOL DEFINITION		MISSING NUMBERS		DATE		REV		N/P		CHG		ZONE		REVISION HISTORY		AUTH		DR		AP/VD	
A DIMENSION WITHOUT AN INSPECTION REPORT SYMBOL \square DOES NOT REQUIRE INSPECTION. IT MAY BE CONTROLLED ON AN INDIVIDUAL COMPONENT DRAWING.		TOTAL NO. OF SYMBOLS ON DRAWING	26	14-15,		10JUN02	R	03	-	-	CLEARED REVISION COLUMN: ALL ACTIVE PARTS - ADDED NOTES 2 AND 5, REVISED TOL (2 PLCS) AND MAT'L SPEC TOLERANCES		214553	LEB	BEG	0MC					
		LAST NO. USED	37			160003	R	04	-	-	ALL ACTIVE PARTS - REVISED INDEX SLOT TOLERANCES		247506	LMB	LMB	MR					
						130005	R	05	-	-	ALL PARTS - ADDED ASSEMBLY NUMBER COLUMN 12092493 - MAT'L SPEC WAS M3592002		273384	MDH	JVM	EST					
						120006	R	06	-	-	ALL ACTIVE PARTS - UPDATED MODEL REVISED RADI		285012	MM	MM	B0					
						12MR07	R	07	-	-	12092493 - OBSOLETE		400766	ECB	JVM	J0S					



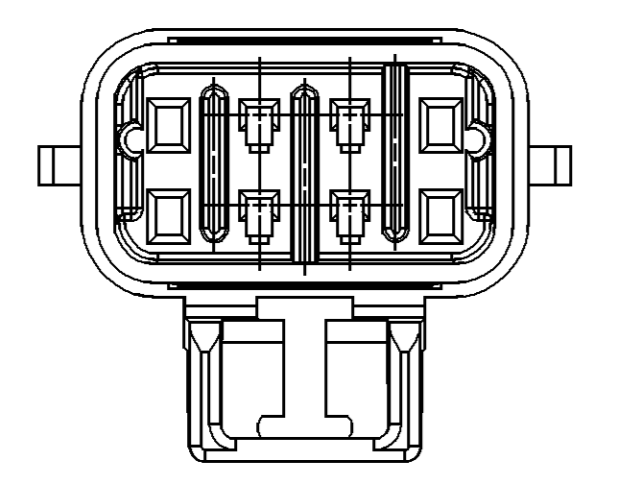
TYPE 102
SAME AS TYPE 101
EXCEPT AS SHOWN



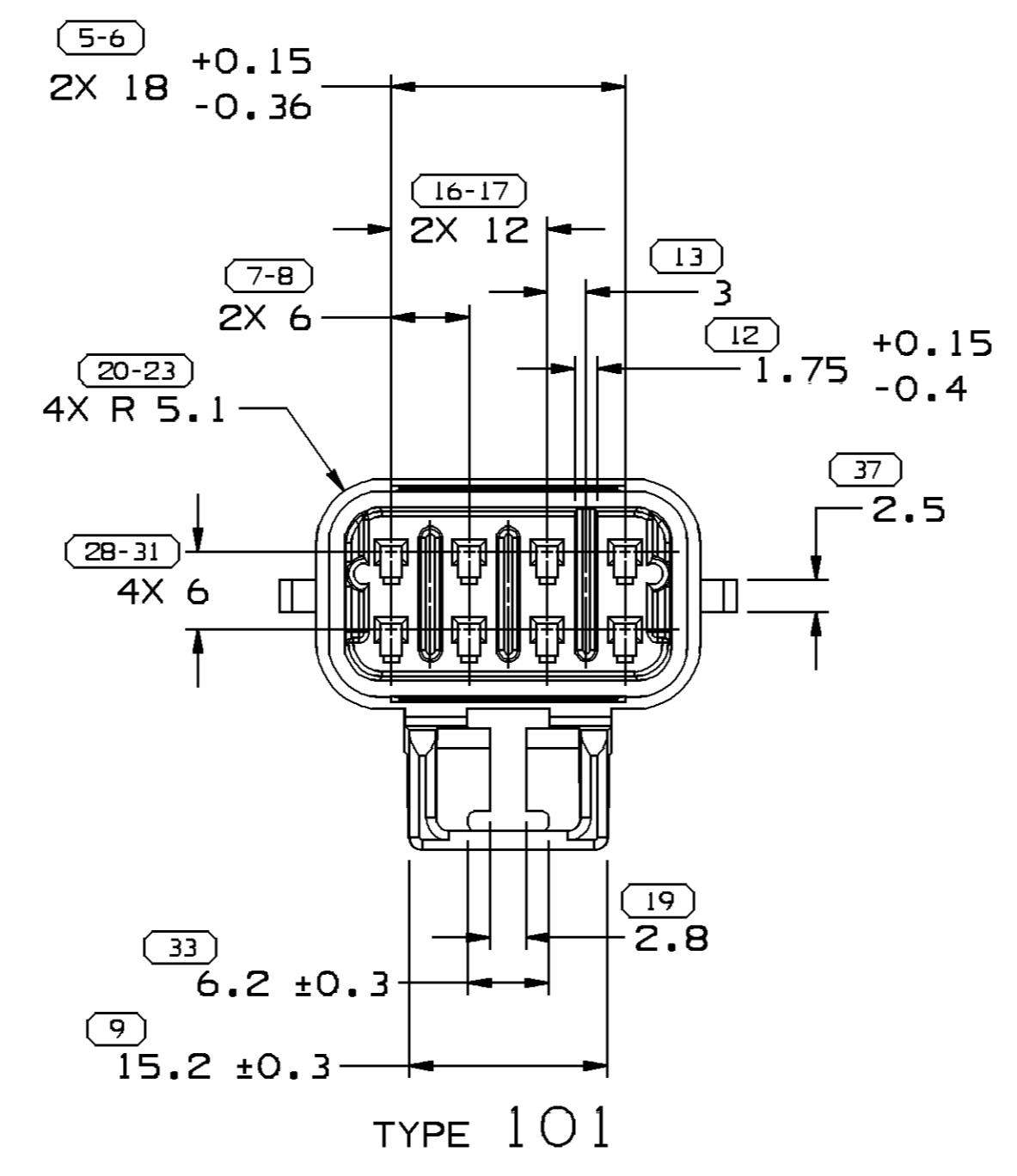
TYPE 103
SAME AS TYPE 101
EXCEPT AS SHOWN



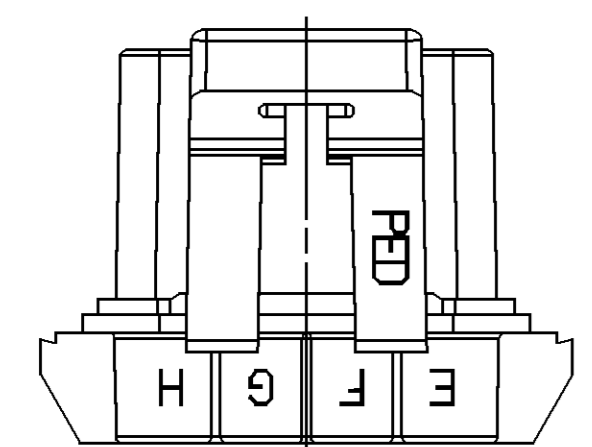
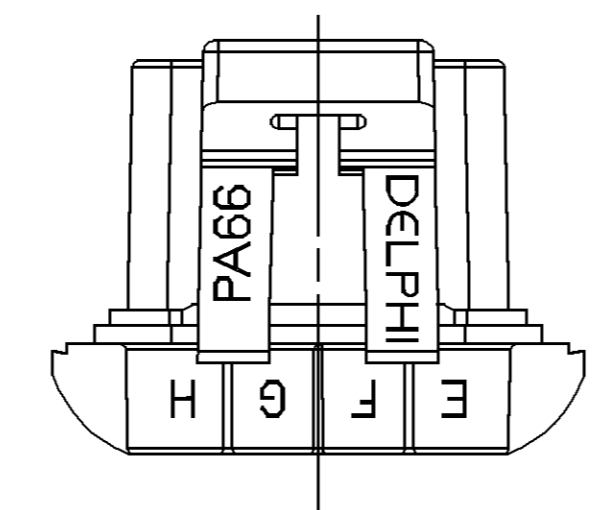
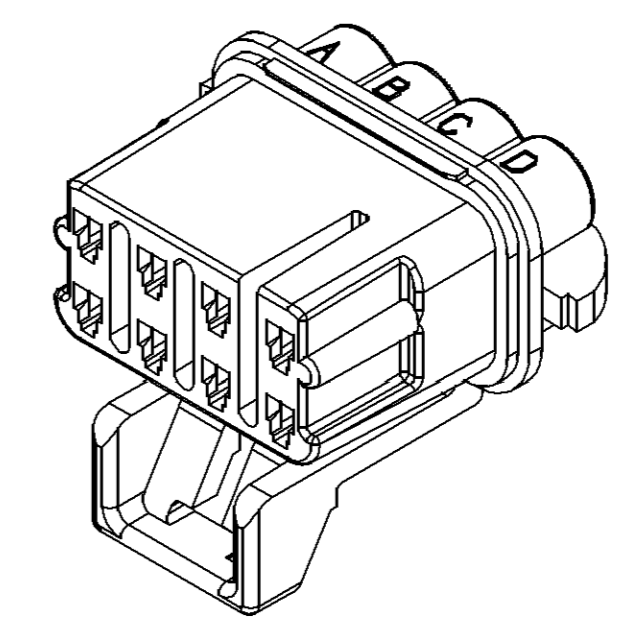
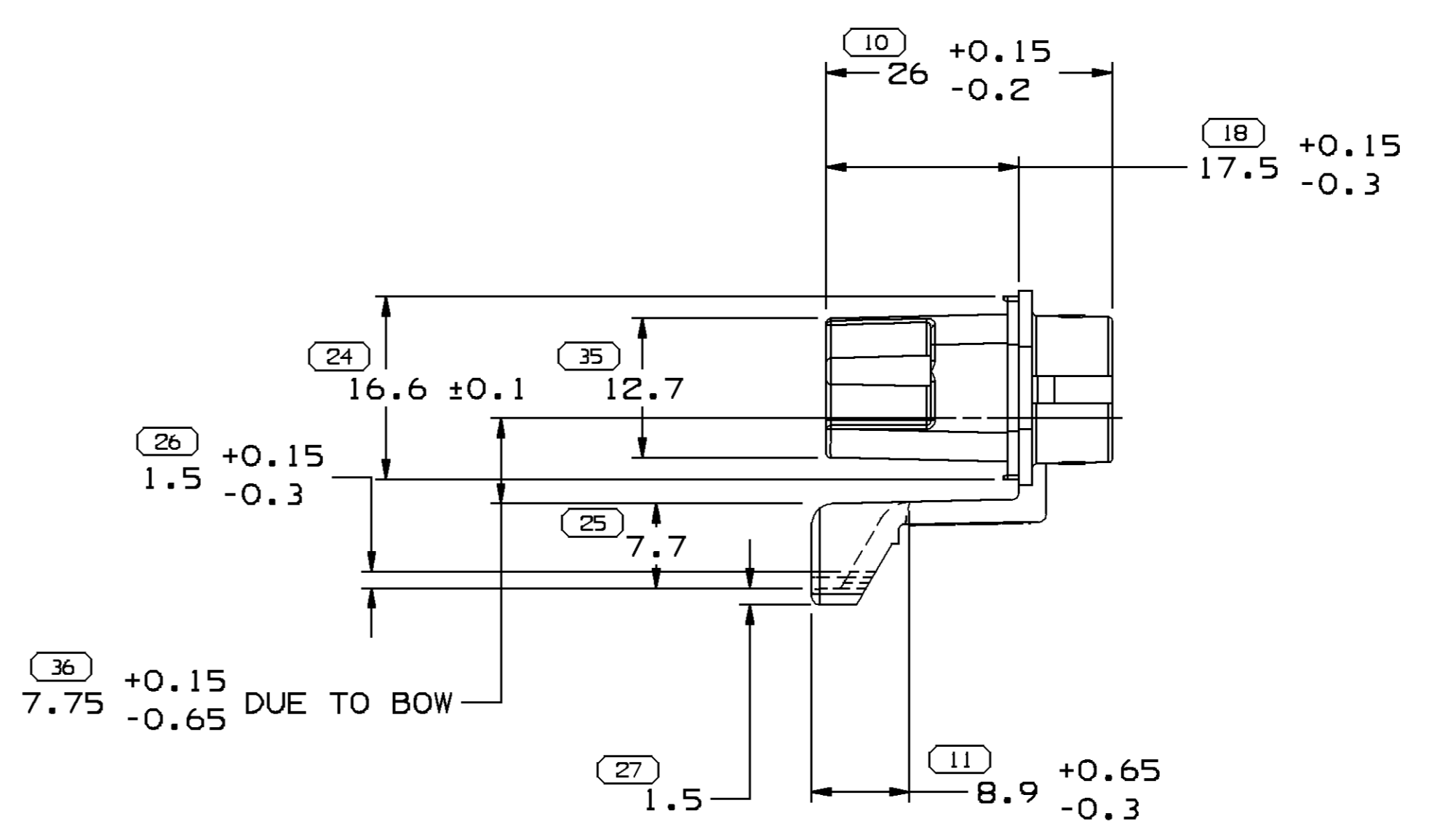
TYPE 104
SAME AS TYPE 101
EXCEPT AS SHOWN



TYPE 105
SAME AS TYPE 101
EXCEPT AS SHOWN



TYPE 101



OPTIONAL CONSTRUCTION
ALL TYPES

- NOTES
- UNLESS OTHERWISE SPECIFIED AND/OR INDICATED:
DIMENSIONS ARE TO FACE OF VIEW SHOWN AND AUTOMATICALLY ROUNDED BY COMPUTER FOR INSPECTION (SEE MATH MODEL FOR PRECISE DIMENSIONS). FOR ALL OTHER DIMENSIONS NOT SHOWN BUT REQUIRED FOR TOOL BUILD, SEE MATH MODEL FOR PRECISE TOOL PATH DATA.
 - MATERIAL RECYCLING CODE PER ISO 11469, (2.3)X(0.1) RAISED CHARACTERS AS SHOWN TO BE LOCATED ON ANY EXTERIOR SURFACE. OPTIONAL CONSTRUCTION TO BE NO MATERIAL RECYCLING CODE.
 - THIS PART IS NOT CONTROLLED FOR AUTOMATIC FEEDING.
 - THIS PART ACCEPTS THE FOLLOWING COMPONENTS OR EQUIVALENT:
TERMINAL 12048074
TERMINAL POSITION ASSURANCE LOCK 12066304
 - (2.3)X(0.1) RAISED DELPHI CORPORATE BRAND TO BE LOCATED ON ANY EXTERIOR SURFACE, PREFERABLY VISIBLE AT FINAL ASSEMBLY. OPTIONAL CONSTRUCTION TO BE "PED" OR NO LOGO.

PART NO	REV	N/P	STATUS	TYPE	MATERIAL SPECIFICATION AND COLOR	ASSEMBLY NUMBER	STATUS	MATING CONNECTOR	CAVITIES	CAVITIES BLOCKED	VOL CM ³
15324168	A1	-	OBSOLETE	103	M3592001 PA66 HS 1M BLK	15324167	OBSOLETE	15324170	5	A, H & D	5.689
12124017	C6	-		105	M3592010 PA66 HS 1M BRN	12124647		ABS SENSOR	4	A, D, E & H	5.757
12092493	O4	AB	OBSOLETE	104	M3592024 PA66 HS 1M CRM	12092494	OBSOLETE	12047931	6	C & F	5.662
12052499	F6	-		103	M3592025 PA66 HS 1M GRA MD	12052600		12052480	5	A, H & D	5.689
12047934	L6	-		102	M3592012 PA66 HS 1M GRA LT	12047938		12047933	7	D	5.683
12047932	L6	-		101	M3592001 PA66 HS 1M BLK	12047937		12047931	8	NONE	5.687

DELPHI
DELPHI PACKARD ELECTRIC SYSTEMS
WVREN, OH

DATE: 09-Mar-07 Time: 14:47

DR: J. ZAMUDIO, G. MACIAS

AP/VD: R. VILLANUEVA, G. MACIAS

THIS DOCUMENT IS IN ACCORDANCE WITH ASME Y14.9M-1994 AS MODIFIED BY THE IN CHARGE DIMENSIONING AND TOLERANCE MANUAL (ITP). ALL DIMENSIONAL TOLERANCES AND RELATED DATUMS APPLY UNLESS OTHERWISE SPECIFIED. DIMENSIONS NOT SPECIFIED ARE TO BE CONTROLLED BY THE TOLERANCE UNLESS OTHERWISE SPECIFIED. DIMENSIONS IN PARENTHESES ARE FOR INFORMATION ONLY. DIMENSIONS IN BRACKETED ARE FOR INFORMATION ONLY. DIMENSIONS IN PARENTHESES ARE FOR INFORMATION ONLY. DIMENSIONS IN PARENTHESES ARE FOR INFORMATION ONLY.

UNLESS OTHERWISE SPECIFIED:
DIMENSIONS ENCLOSED IN () INDICATE REFERENCE DIMENSIONS AND NO TOLERANCE LIMITS ARE ESTABLISHED.

(10) PROCESS SENSITIVE DIMENSION

THIRD ANGLE PROJECTION

DO NOT SCALE

USE MATH DATA

SCALE: 2:1

FRAME NO: 1 OF 1

SHEET NO: 1 OF 1

REV: R

N/P: 07

DELPHI

DELPHI PACKARD ELECTRIC SYSTEMS
WVREN, OH

DATE: 09-Mar-07 Time: 14:47

DR: J. ZAMUDIO, G. MACIAS

AP/VD: R. VILLANUEVA, G. MACIAS

THIS DOCUMENT IS IN ACCORDANCE WITH ASME Y14.9M-1994 AS MODIFIED BY THE IN CHARGE DIMENSIONING AND TOLERANCE MANUAL (ITP). ALL DIMENSIONAL TOLERANCES AND RELATED DATUMS APPLY UNLESS OTHERWISE SPECIFIED. DIMENSIONS NOT SPECIFIED ARE TO BE CONTROLLED BY THE TOLERANCE UNLESS OTHERWISE SPECIFIED. DIMENSIONS IN PARENTHESES ARE FOR INFORMATION ONLY. DIMENSIONS IN BRACKETED ARE FOR INFORMATION ONLY. DIMENSIONS IN PARENTHESES ARE FOR INFORMATION ONLY.

UNLESS OTHERWISE SPECIFIED:
DIMENSIONS ENCLOSED IN () INDICATE REFERENCE DIMENSIONS AND NO TOLERANCE LIMITS ARE ESTABLISHED.

(10) PROCESS SENSITIVE DIMENSION

THIRD ANGLE PROJECTION

DO NOT SCALE

USE MATH DATA

SCALE: 2:1

FRAME NO: 1 OF 1

SHEET NO: 1 OF 1

REV: R

N/P: 07

DRAWING NAME: TAXI CONN F M/P 150 SLD

DRAWING NUMBER: 12048073

SCALE: 2:1

FRAME NO: 1 OF 1

SHEET NO: 1 OF 1

REV: R

N/P: 07