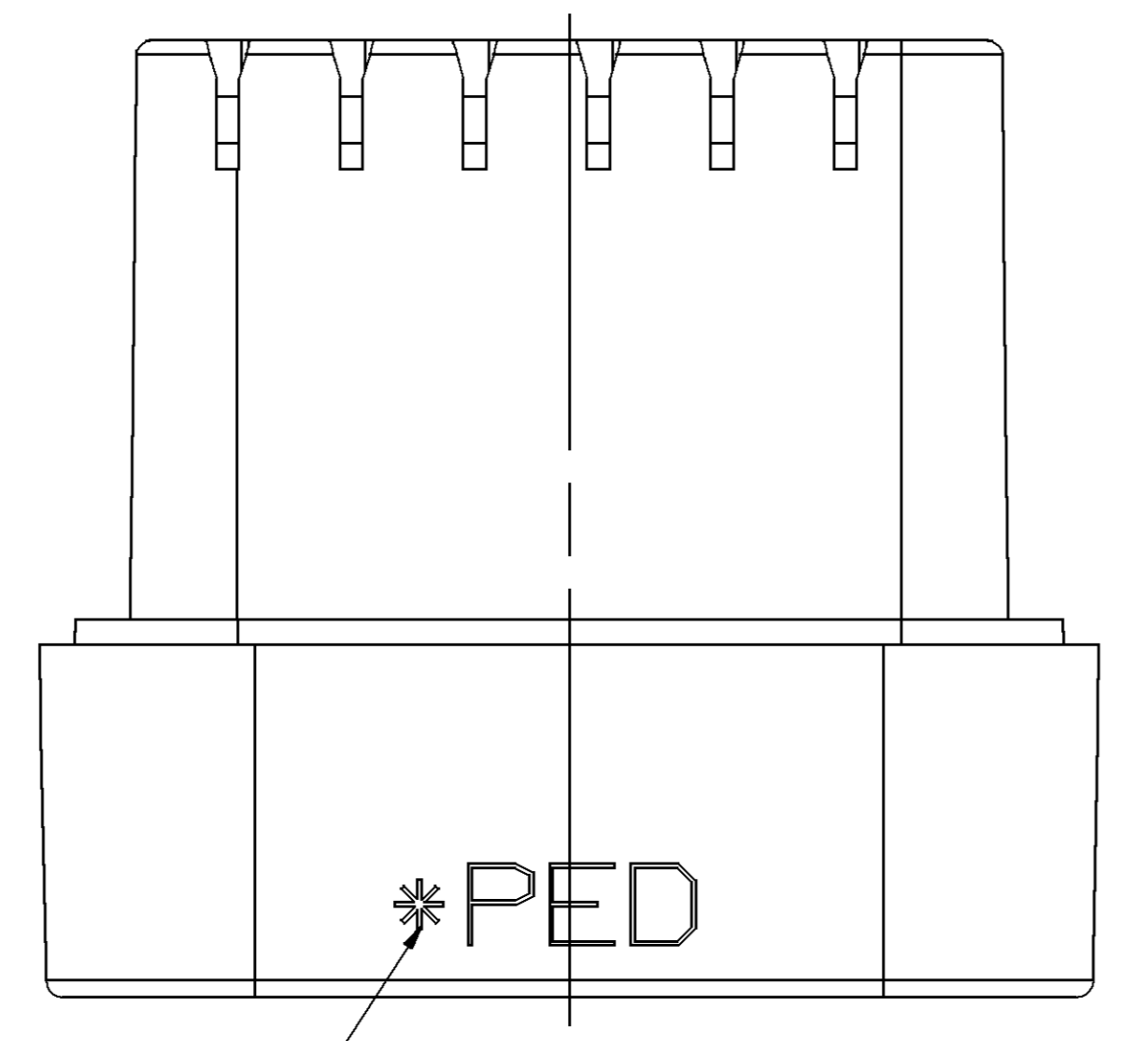
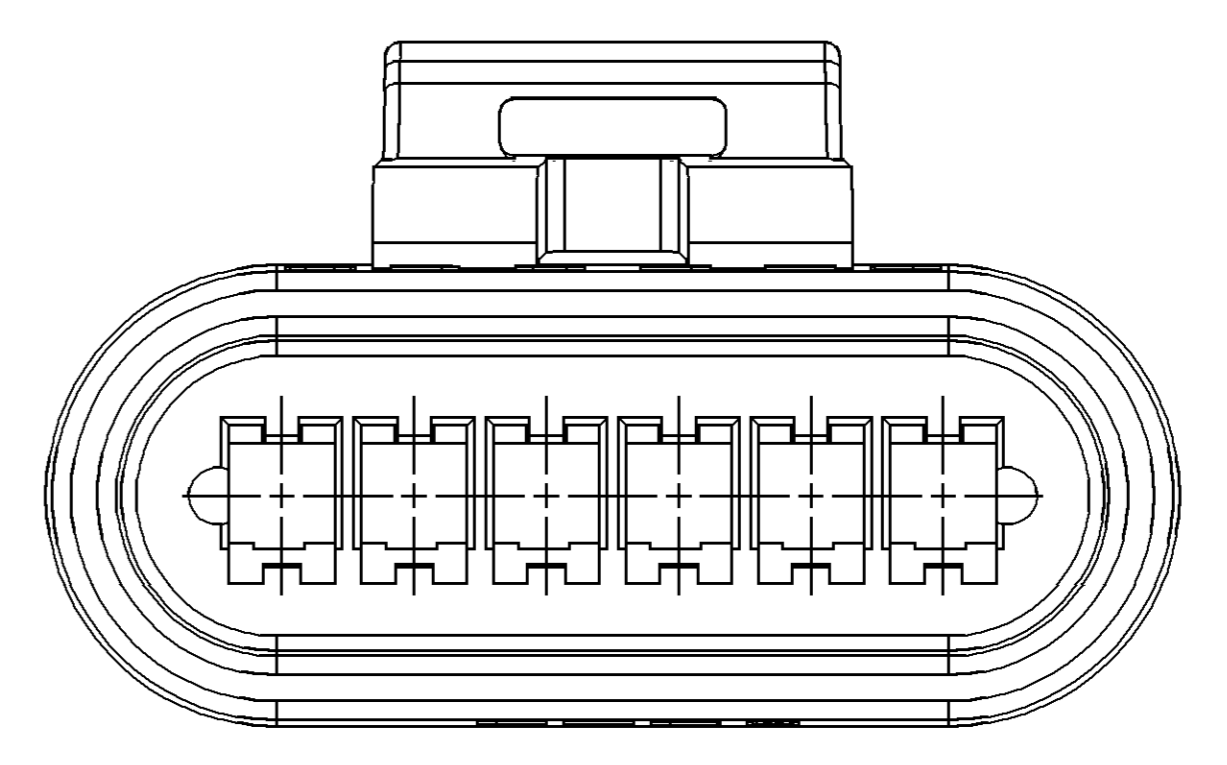
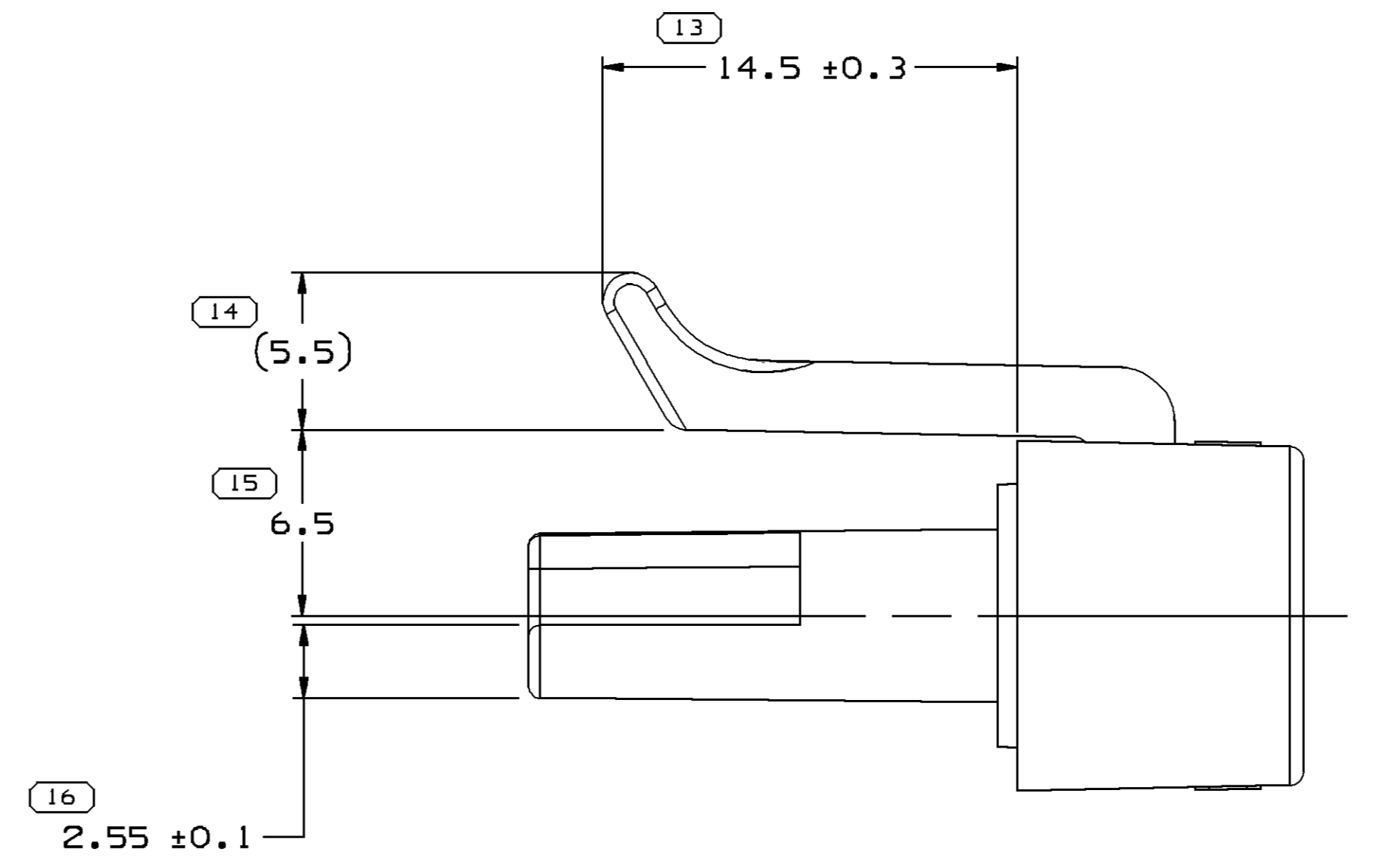
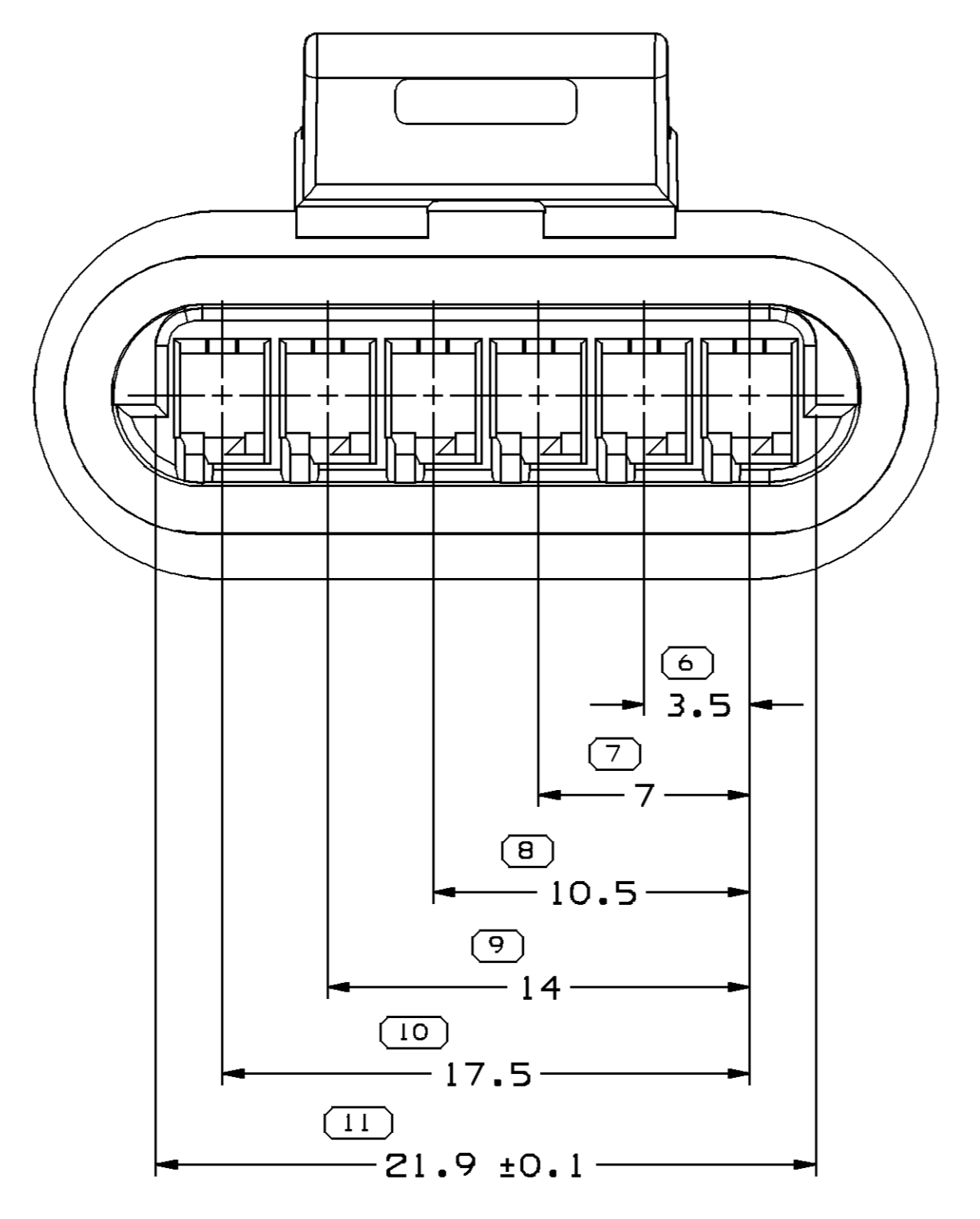
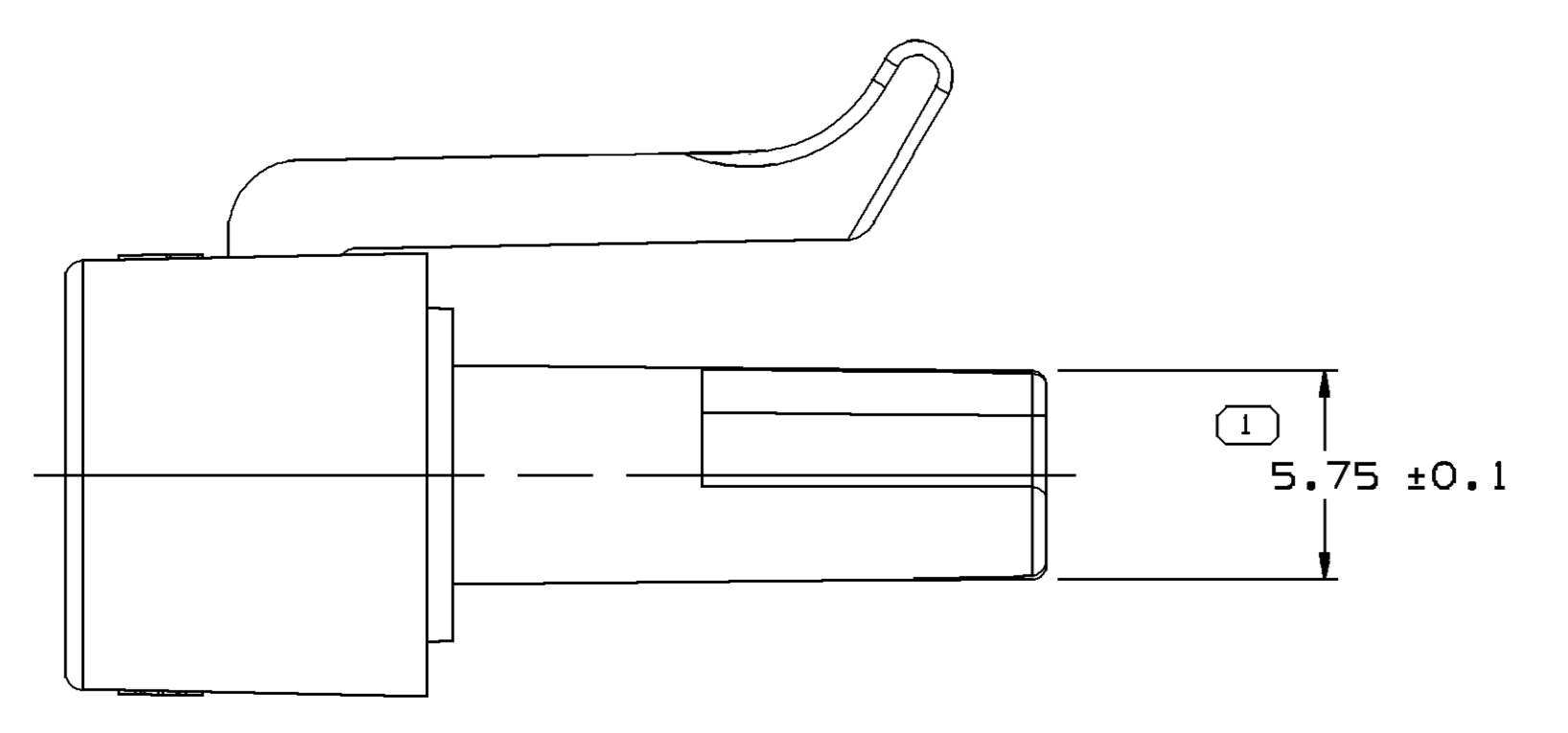
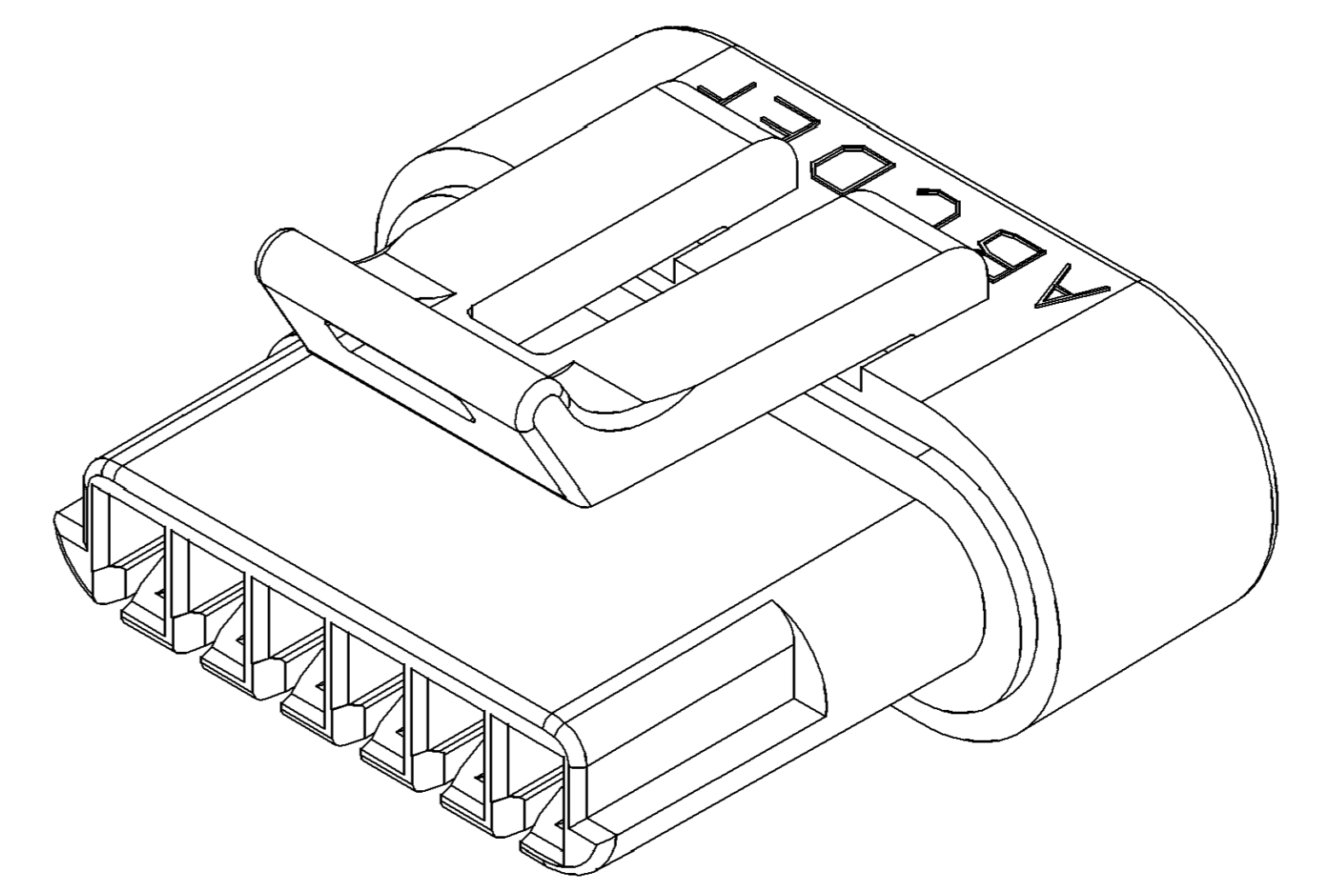
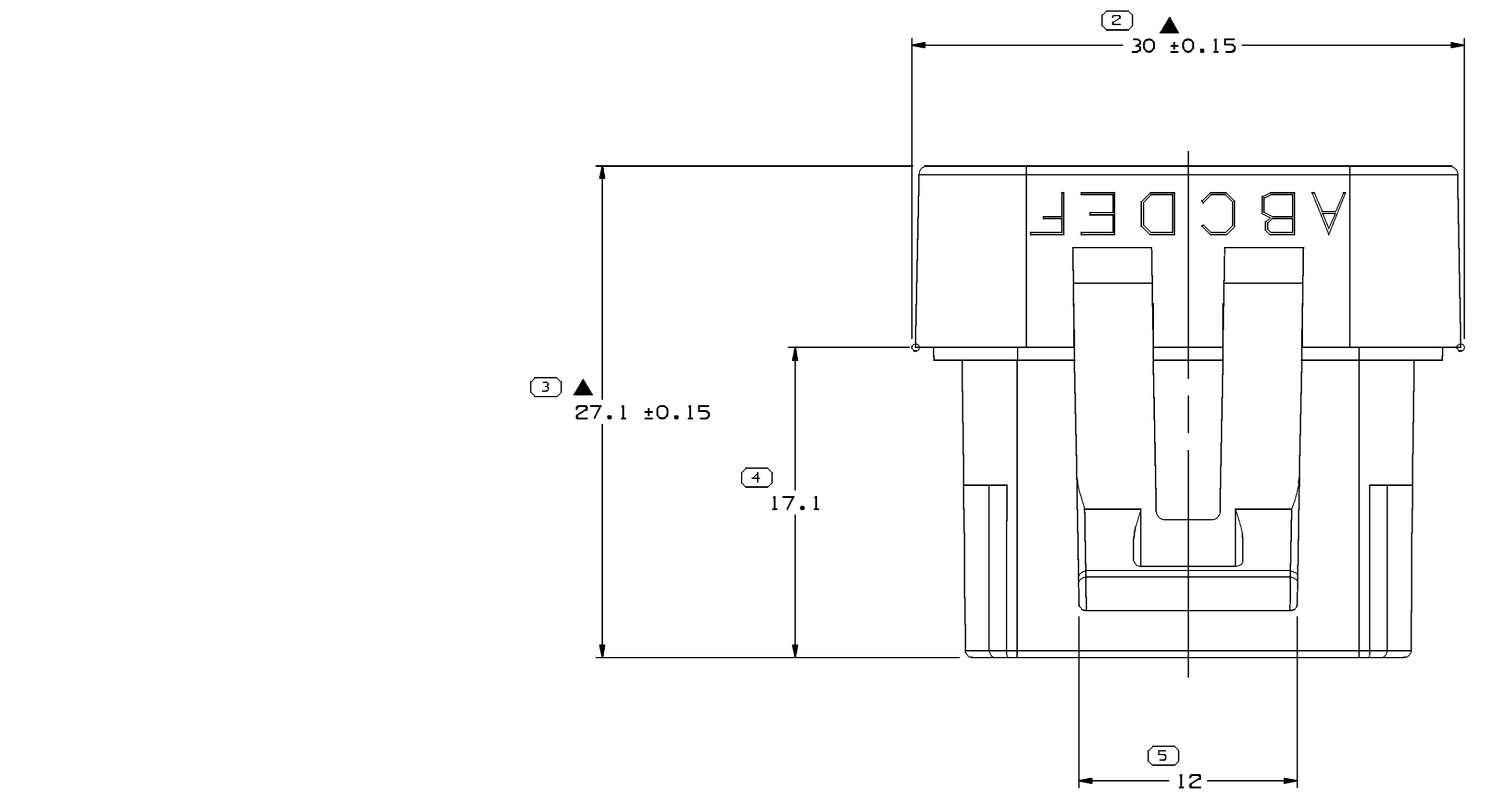


SYMBOL DEFINITION		TOTAL NO OF INSPECTIONS REQUIRED		LAST NO. USED	
A DIMENSION WITHOUT AN INSPECTION REPORT SYMBOL DOES NOT REQUIRE INSPECTION. IT MAY BE CONTROLLED ON THE INDIVIDUAL COMPONENT DRAWING.		16		16	

MISSING SYMBOLS					REVISION HISTORY			AUTH				
DATE	STG	REV	N/P	CHG	ZONE							
02FEO	R	A2	-	-		REDRAWN TO PD			000009	JLZ	SMC	DN
08AU06	R	A3	-	-		ADDED "MATERIAL" AND "DELPHI LOGO" NOTES AND "CABLE SEAL" WAS 12124075, MATERIAL SPEC WAS R0071754			283271	TLD	TLD	B6



12 ASTERISK (*) FOR CONTROL PURPOSES ONLY

- NOTES
- UNLESS OTHERWISE SPECIFIED AND/OR INDICATED:
DIMENSIONS ARE TO FACE OF VIEW SHOWN AND AUTOMATICALLY ROUNDED BY COMPUTER FOR INSPECTION (SEE MATH MODEL FOR PRECISE DIMENSIONS). FOR ALL OTHER DIMENSIONS NOT SHOWN BUT REQUIRED FOR TOOL BUILD, SEE MATH MODEL FOR PRECISE TOOL PATH DATA.
 - MATERIAL RECYCLING CODE PER ISO 11469. (2.3)X(10.1) CHARACTERS AS SHOWN TO BE LOCATED ON ANY EXTERIOR SURFACE. OPTIONAL CONSTRUCTION TO BE NO MATERIAL RECYCLE CODE.
 - THIS PART IS CONTROLLED FOR AUTOMATIC FEEDING AS DENOTED ON DRAWING WITH ▲.
 - REFERENCE MATING COMPONENTS OR EQUIVALENT:
CONNECTOR 10496152
 - THIS PART ACCEPTS THE FOLLOWING COMPONENTS OR EQUIVALENT:
TERMINAL 12124075
MAX INSULATION CRIMP MUST BE LESS THAN 2.54 HIGH AND 2.68 WIDE.
CONNECTOR SEAL 12059226
CABLE SEAL 12052929
 - (2.3)X(10.1) DELPHI CORPORATE BRAND TO BE LOCATED ON ANY EXTERIOR SURFACE, PREFERABLY VISIBLE AT FINAL ASSEMBLY. OPTIONAL CONSTRUCTION FOR EXISTING TOOLING MAY BE "PED".

PART DRAWING														
STYLE	D													
VOLUME 10/P	3,208													
UNLESS OTHERWISE SPECIFIED THIS DOCUMENT IS IN ACCORDANCE WITH ASME Y14.5M-1994 AS MODIFIED BY THE M SCHEMATIC DIMENSIONING AND TOLERANCE PRACTICES MANUAL, SEPARATE EDITIONS OF WHICH ARE AVAILABLE SEPARATELY. SEPARATE EDITIONS OF THESE STANDARDS MAY BE OBTAINED FROM THE AMERICAN SOCIETY OF MECHANICAL ENGINEERS.														
ALL DIMENSIONS ARE IN MILLIMETERS														
REFERENCE														
<table border="1"> <thead> <tr> <th>DIMENSIONAL RANGE (MM)</th> <th>CHART</th> <th>T</th> </tr> </thead> <tbody> <tr> <td>FROM 0</td> <td>> 20</td> <td>> 30</td> <td>> 70</td> <td>> 100</td> </tr> <tr> <td>TO 20</td> <td>30</td> <td>70</td> <td>100</td> <td>> 100</td> </tr> </tbody> </table>		DIMENSIONAL RANGE (MM)	CHART	T	FROM 0	> 20	> 30	> 70	> 100	TO 20	30	70	100	> 100
DIMENSIONAL RANGE (MM)	CHART	T												
FROM 0	> 20	> 30	> 70	> 100										
TO 20	30	70	100	> 100										
TOLERANCE UNLESS OTHERWISE SPECIFIED														
<table border="1"> <tbody> <tr> <td>±0.15</td> <td>±0.2</td> <td>±0.3</td> <td>±0.4</td> <td>±0.5</td> </tr> <tr> <td>ANGULAR TOLERANCE 2°</td> <td></td> <td></td> <td></td> <td></td> </tr> </tbody> </table>		±0.15	±0.2	±0.3	±0.4	±0.5	ANGULAR TOLERANCE 2°							
±0.15	±0.2	±0.3	±0.4	±0.5										
ANGULAR TOLERANCE 2°														
THIRD ANGLE PROJECTION														
DO NOT SCALE														
USE MATH DATA														

DELPHI
DELPHI PACKARD ELECTRIC SYSTEMS
WARREN, OH

DR	DATE
APV01 J.ZAMUDIO	02FEO0
APV02 G.MACIAS	27MRO0
APV03 D.NAVARRO	31MRO0
APV04	
APV05	

UNLESS OTHERWISE SPECIFIED THIS DOCUMENT IS IN ACCORDANCE WITH ASME Y14.5M-1994 AS MODIFIED BY THE M SCHEMATIC DIMENSIONING AND TOLERANCE PRACTICES MANUAL, SEPARATE EDITIONS OF WHICH ARE AVAILABLE SEPARATELY. SEPARATE EDITIONS OF THESE STANDARDS MAY BE OBTAINED FROM THE AMERICAN SOCIETY OF MECHANICAL ENGINEERS.

ALL DIMENSIONS ARE IN MILLIMETERS

REFERENCE

DIMENSIONAL RANGE (MM)	CHART	T		
FROM 0	> 20	> 30	> 70	> 100
TO 20	30	70	100	> 100

TOLERANCE UNLESS OTHERWISE SPECIFIED

±0.15	±0.2	±0.3	±0.4	±0.5
ANGULAR TOLERANCE 2°				

THIRD ANGLE PROJECTION

DO NOT SCALE

USE MATH DATA

SCALE: 5:1

FRAME NO: 1

SHEET NO: 1 OF 1

REV: R

N/P: A3

DRAWING NAME: CONN 6 F M/P 150.2 BLK SLD

DRAWING NUMBER: 12162209

SIZE: A0