

# 2.0mm (0.079") Female Header

(Double Row)

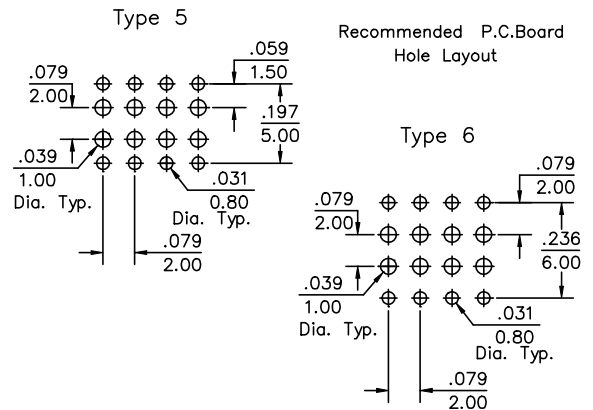
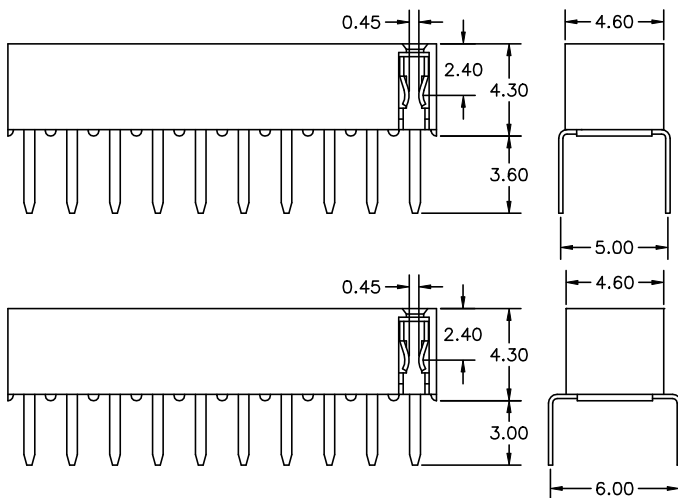
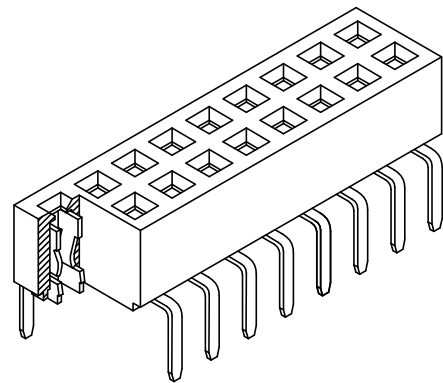
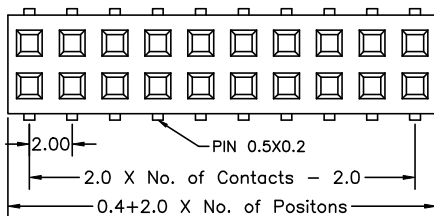
1216 Series

## APPLICATION AND FEATURES

1. Dual entry low profile 4.3mm height.
2. Designed for parallel and vertical board stacking.
3. Dual-beam folded contact and low insertion force.
4. Standoffs facilitate post soldering clean.
5. Mate with 2.0mm grid Dual Row male header such as 1202 & 1204D series.

## SPECIFICATIONS

Current Rating: 1 Amp  
 Insulator resistance: 5000 Megohms min.  
 Contact resistance: 20 m ohm Max.  
 Dielectric withstanding: AC 500 V  
 Operating Temperature: -40° to +105°C  
 Contact Material: Phosphor bronze  
 Insulator Material: Polyester, UL 94V-0  
 ©Standard: Nylon-6T



## Order Information 1216 Series

Example: 1216 - 5 - 20 - 02

Series No.	Pitch	Type Code	Number of Contacts	Contact Plating
1216	5.0mm	5	06 to 80 Contacts	Tin Plated 01
	6.0mm	6		Gold Plated
				Flash 02
				10 μ" 10
				30 μ" 30