



FASTON | FASTON 250

TE Internal #: 1217136-1

PCB Terminals, Tab, Mating Tab Width 6.35 mm [.25 in], PCB Hole Diameter 1.4 mm [.055 in], Through Hole - Solder, Tin Plating, FASTON 250

[View on TE.com >](#)

Terminals & Splices > PCB Terminals



PCB Terminal Type: **Tab**

PCB Thickness (Recommended): 1.57 mm [.062 in]

Mating Tab Width: 6.35 mm [.25 in]

Mating Tab Thickness: .8 mm [.031 in]

PCB Hole Diameter: 1.4 mm [.055 in]

Features

Product Type Features

PCB Terminal Mounting Style	Stud Mount
-----------------------------	------------

Configuration Features

Stud Hole	Yes
Terminal Angle	180 °

Body Features

	150 µin
--	---------

Contact Features

Contact Plating Material	Tin
PCB Terminal Type	Tab
Mating Tab Width	6.35 mm [.25 in]
Mating Tab Thickness	.8 mm [.031 in]
Terminal Plating Material	Tin
Contact Underplating Material	Copper, Nickel
Terminal Size	6.35



Terminal Orientation	Straight
----------------------	----------

Termination Features

Termination Method to Printed Circuit Board	Through Hole - Solder
Product Terminates To	Printed Circuit Board

Mechanical Attachment

Wire Insulation Support	With
-------------------------	------

Dimensions

Extension Below Board	4.57 mm[.18 in]
Receptacle Terminal Stock Thickness	.8 mm[.032 in]
Stud Diameter	1.71 mm
PCB Thickness (Recommended)	1.57 mm[.062 in]
PCB Hole Diameter	1.4 mm[.055 in]
Profile Height from PCB	10.21 mm[.402 in]

Usage Conditions

Insulation Option	Uninsulated
Operating Temperature Range	-30 – 110 °C[-22 – 230 °F]

Packaging Features

Packaging Quantity	10000
Packaging Method	Reel

Other

Comment	Insertion equipment available., Longer legs than standard.
---------	--

Product Compliance

[For compliance documentation, visit the product page on TE.com>](#)

EU RoHS Directive 2011/65/EU	Compliant
EU ELV Directive 2000/53/EC	Compliant
China RoHS 2 Directive MIIT Order No 32, 2016	No Restricted Materials Above Threshold
EU REACH Regulation (EC) No. 1907/2006	Current ECHA Candidate List: JAN 2022 (223) Candidate List Declared Against: JAN 2022 (223) Does not contain REACH SVHC
Halogen Content	Low Halogen - Br, Cl, F, I < 900 ppm per



homogenous material. Also BFR/CFR/PVC Free

Solder Process Capability

Wave solder capable to 265°C

Product Compliance Disclaimer

This information is provided based on reasonable inquiry of our suppliers and represents our current actual knowledge based on the information they provided. This information is subject to change. The part numbers that TE has identified as EU RoHS compliant have a maximum concentration of 0.1% by weight in homogenous materials for lead, hexavalent chromium, mercury, PBB, PBDE, DBP, BBP, DEHP, DIBP, and 0.01% for cadmium, or qualify for an exemption to these limits as defined in the Annexes of Directive 2011/65/EU (RoHS2). Finished electrical and electronic equipment products will be CE marked as required by Directive 2011/65/EU. Components may not be CE marked. Additionally, the part numbers that TE has identified as EU ELV compliant have a maximum concentration of 0.1% by weight in homogenous materials for lead, hexavalent chromium, and mercury, and 0.01% for cadmium, or qualify for an exemption to these limits as defined in the Annexes of Directive 2000/53/EC (ELV). Regarding the REACH Regulation, the information TE provides on SVHC in articles for this part number is based on the latest European Chemicals Agency (ECHA) 'Guidance on requirements for substances in articles' posted at this URL: <https://echa.europa.eu/guidance-documents/guidance-on-reach>

Compatible Parts

TE Part # 1217861-1
250 FASTON,PCB TAB,TCBR

TE Part # 1217127-1
250 FASTON,PCB TAB,TPBR

TE Part # 1217566-1
250 FASTON,PCB TAB,TCBR

TE Part # 63950-1
250 FASTON TAB TPBR

TE Part # 1217125-1
250 FASTON,PCB TAB,TPBR

TE Part # 1217566-2
250 FASTON,PCB TAB,TCBR

TE Part # 63949-1
250 FASTON TAB TPBR

TE Part # 1217126-1
250 FASTON,PCB TAB,TPBR

TE Part # 1217539-1
250 FASTON,PCB TAB,TCBR

TE Part # 1217136-3
250 FASTON,PCB TAB,TNBR

TE Part # 63862-2
250 FASTON TAB TPBR

TE Part # 63950-6
FASTON 250 PCB TAB BR

Also in the Series | **FASTON 250**



Compression Connectors(4)



Crimp Terminal Housings(143)



Insertion & Extraction Tools(6)



Magnet Wire Terminals(1)



PCB Terminals(144)

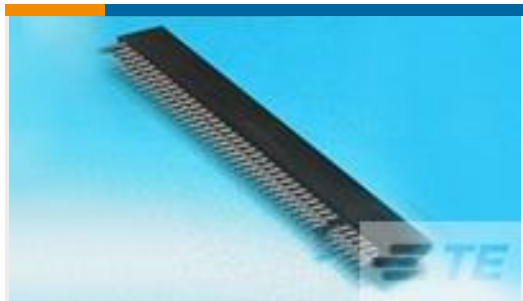


Quick Disconnects(456)

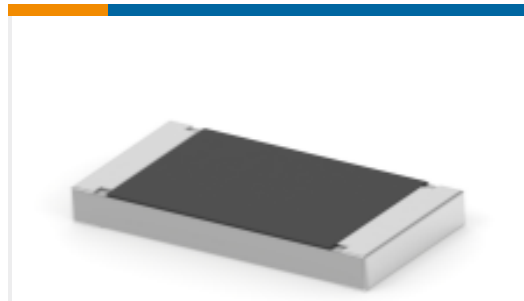


Splices(4)

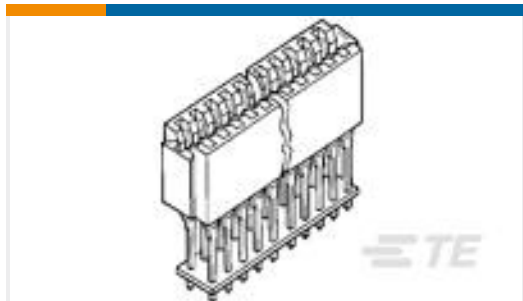
Customers Also Bought



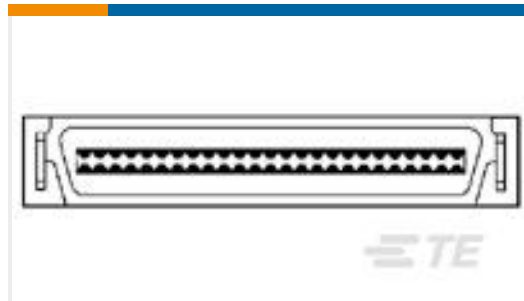
TE Part #5530843-7
CONN SEC II 30 POS 100C/L



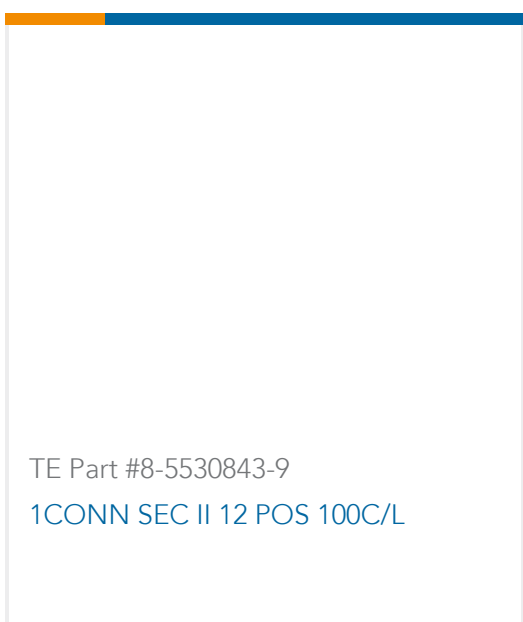
TE Part #3-2176348-7
CRGCQ 2010 1M0 5%



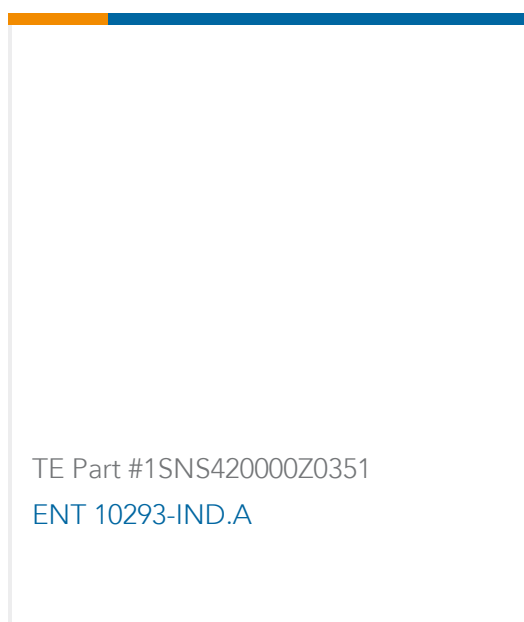
TE Part #5-119738-6
AMP PACE CONN 20POS 100X200C/L



TE Part #1-1734101-3
Champ050 series,120pos,Au over PdNi



TE Part #8-5530843-9
1CONN SEC II 12 POS 100C/L



TE Part #1SNS420000Z0351
ENT 10293-IND.A

Documents

Product Drawings

250 FASTON,PCB TAB,TNBR

English

CAD Files

3D PDF

3D

Customer View Model

ENG_CVM_CVM_1217136-1_J_c-1217136-1-j.2d_dxf.zip



English

Customer View Model

[ENG_CVM_CVM_1217136-1_J_c-1217136-1-j.3d_igs.zip](#)

English

Customer View Model

[ENG_CVM_CVM_1217136-1_J_c-1217136-1-j.3d_stp.zip](#)

English

By downloading the CAD file I accept and agree to the [Terms and Conditions](#) of use.

Datasheets & Catalog Pages

[FASTON PCB Tabs and Receptacles](#)

English

[PRINTED CIRCUIT BOARD TERMINALS AND DISCONNECTS](#)

English

Product Specifications

[Application Specification](#)

English

Product Environmental Compliance

[MD_1217136-1_11102014838_dmtec](#)

English

[MD_1217136-1_11102014838_dmtec](#)

English

Agency Approvals

[CSA Certificate](#)

English

[CSA Certificate](#)

English