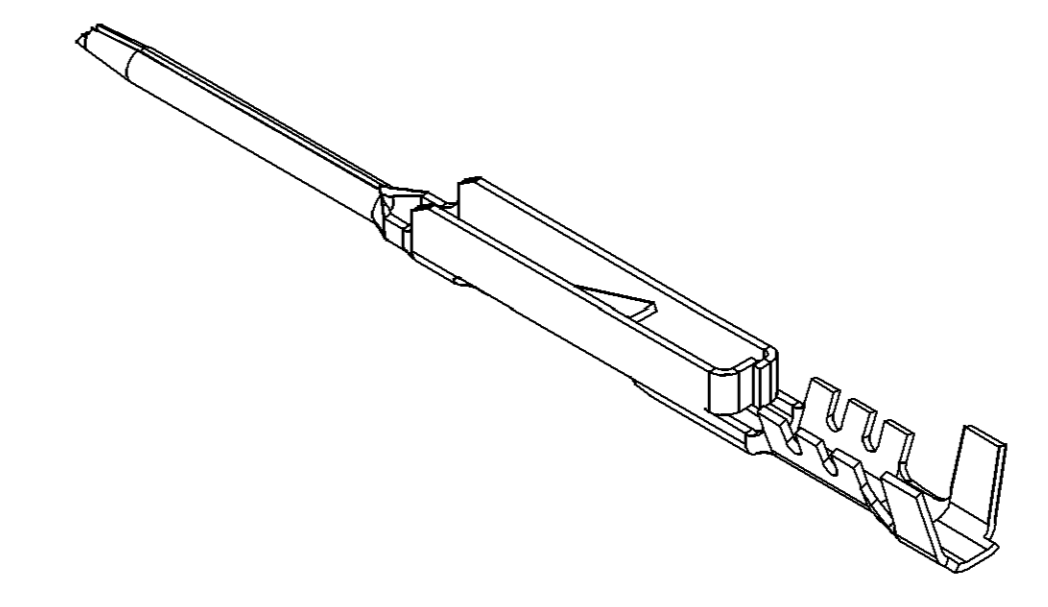
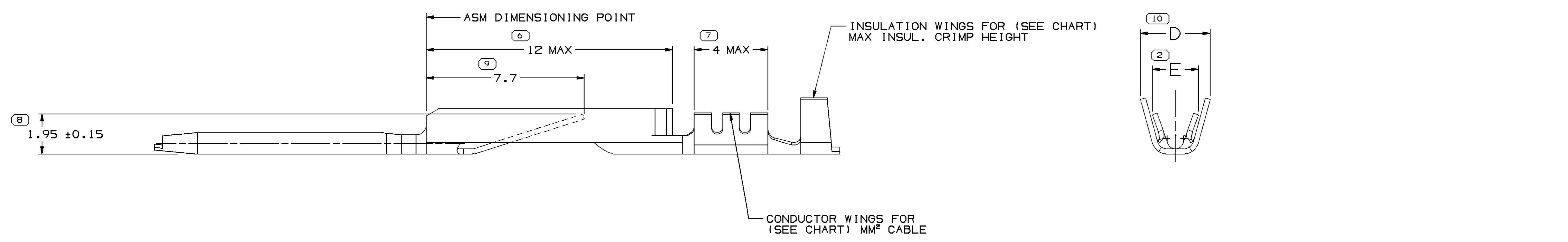
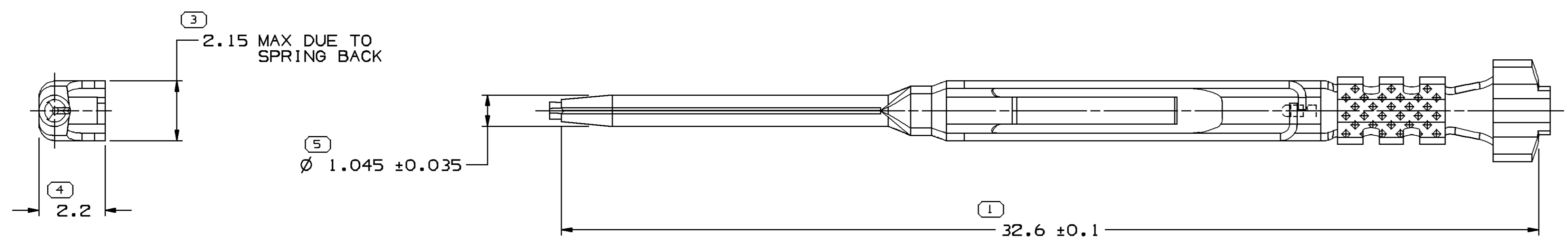


SYMBOL DEFINITION		TOTAL NO OF INSPECTIONS REQUIRED	MISSING SYMBOLS
A DIMENSION WITHOUT AN INSPECTION REPORT SYMBOL () DOES NOT REQUIRE INSPECTION. IT MAY BE CONTROLLED ON THE INDIVIDUAL COMPONENT DRAWING.		10	NO MISSING SYMBOL NUMBER
	LAST NO. USED	10	

DWG STATUS				REVISION HISTORY				AUTH		APPROV			
DATE	STG	REV	N/P	CHG	ZONE								
11JA05	R	01	-	-		ALL PARTS - WERE SEPARATE DWG AND REVISED MAT'L SPEC				262968	JBD	JVM	MB
15FE05	R	02	-	-		12040902 & 12084955 - DIM "D" 3.4±0.3 & 2.6±0.3 WERE 3.4 & 2.6 ALL PARTS - ADDED DIM #2 TO PROCESS SENSITIVE DIMENSION				264242	JS	JS	MB
17JN05	R	03	-	-		ALL PARTS - UPDATED PDM ATTRIBUTES				269418	MAC	MAC	MB
07JN06	R	04	-	-		ALL PARTS - UPDATED PDM ATTRIBUTES & PROCESS SENSITIVE DIM WAS 2				281482	ACG	JVM	RWR



- NOTES
- UNLESS OTHERWISE SPECIFIED AND/OR INDICATED:
DIMENSIONS ARE TO FACE OF VIEW SHOWN AND AUTOMATICALLY ROUNDED BY COMPUTER FOR INSPECTION (SEE MATH MODEL FOR PRECISE DIMENSIONS). FOR ALL OTHER DIMENSIONS NOT SHOWN BUT REQUIRED FOR TOOL BUILD, SEE MATH MODEL FOR PRECISE TOOL PATH DATA.
 - REFERENCE MATING COMPONENTS OR EQUIVALENT:
TERMINAL 12020757

PART NO	REV	STATUS	MAT'L SIZE	MAT'L SPEC	SIZE (MM ²)	ID	E	D
12084955	A4	-	0.254 X 41.3	M1574C01 C42500 EX HD	0.22	24	1.5	2.6±0.3
12084449	A4	-	0.254 X 41.3	M1574C01 C42500 EX HD	0.5-0.8	19	3	4.4±0.4
12040902	J4	-	0.254 X 41.3	M1574C01 C42500 EX HD	0.35	22	2.25	3.4±0.3

(S) PROCESS SENSITIVE DIMENSION	
DIMENSIONS ENCLOSED IN () INDICATE REFERENCE DIMENSIONS AND NO TOLERANCE LIMITS ARE ESTABLISHED	
DIMENSIONAL RANGE (UM)	CHART ID
FROM 0	>12
TO 12	
TOLERANCE UNLESS OTHERWISE SPECIFIED	
±0.1	±0.2
ANGULAR TOLERANCE 2°	

PART DRAWING	
STYLE	D
VOLUME (10/1)	DISTR CODE
UNLESS OTHERWISE SPECIFIED	
THIS DOCUMENT IS IN ACCORDANCE WITH ASME Y14.5M-1994 AS MODIFIED BY THE IN-SPEC DIMENSIONING AND TOLERANCING ADDENDUM-2001. SEPARATE MATING OR REFERENCE PARTS MAY BE DIMENSIONED SEPARATELY PER DIMENSIONING REFERENCE.	
ALL DIMENSIONS ARE IN MILLIMETERS	
THIRD ANGLE PROJECTION	DO NOT SCALE
USE MATH DATA	UNIRAPIDS

DELPHI
DELPHI PACKARD ELECTRIC SYSTEMS
WREN, MI

DR	DATE
APV01 J. R. BARRIENTOS	11JA05
APV02 J. VILLAMIL	21JA05
APV03 MIKE BERENDT	28JA05
APV04	
APV05	

SUBSTANCES OF CONCERN AND RECYCLED CONTENT PER DELPHI 10949001

MATERIALS SEE CHART

DRAWING NAME
TAXI TERM M MIC/P 100 TANG

DRAWING NUMBER
12040913

SIZE	SCALE	FRAME NO	SHEET NO	STG	REV	N/P
A0	10:1	1	1	1	04	-