



Terminals & Splices > Terminal Housings, Insulation Sleeves & Blocks > Crimp Terminal Housings



Terminal Type: **Tab**

Housing Type: **Tab Housing**

Number of Positions: **8**

Terminal Orientation: **Straight**

Primary Product Color: **Brown**

Features

Product Type Features

| | |
|--------------|------------------|
| Product Type | Terminal Housing |
| Sealable | No |
| Housing Type | Tab Housing |
| Insulated | No |

Configuration Features

| | |
|---------------------|---|
| Number of Positions | 8 |
|---------------------|---|

Body Features

| | |
|-----------------------|-------|
| Primary Product Color | Brown |
|-----------------------|-------|

Contact Features

| | |
|--------------------------|----------|
| Terminal Type | Tab |
| Terminal Orientation | Straight |
| Contact Mating Retention | With |

Mechanical Attachment

| | |
|--|--|
| | |
|--|--|



| | |
|---------------------------------------|----------------------------|
| Mating Retention Type | Latch |
| Mating Alignment | With |
| Crimp Terminal Housing Mounting Style | Cable Mount (Free-Hanging) |

Housing Features

| | |
|--------------------|---------------|
| Housing Material | PBT |
| Centerline (Pitch) | 6 mm[.236 in] |

Dimensions

| | |
|--------|----------------|
| Length | 35 mm[1.38 in] |
|--------|----------------|

Usage Conditions

| | |
|-----------------------------|----------------------------|
| Operating Temperature Range | -40 – 105 °C[-40 – 221 °F] |
|-----------------------------|----------------------------|

Packaging Features

| | |
|--------------------|--------|
| Packaging Quantity | 800 |
| Packaging Method | Carton |

Product Compliance

[For compliance documentation, visit the product page on TE.com>](#)

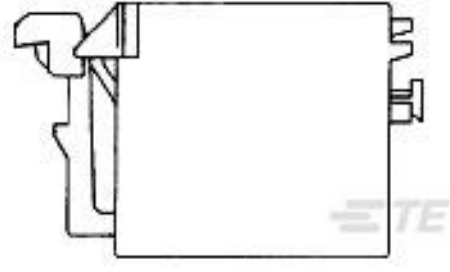
| | |
|---|---|
| EU RoHS Directive 2011/65/EU | Compliant |
| EU ELV Directive 2000/53/EC | Compliant |
| China RoHS 2 Directive MIIT Order No 32, 2016 | No Restricted Materials Above Threshold |
| EU REACH Regulation (EC) No. 1907/2006 | Current ECHA Candidate List: JAN 2022 (223) Candidate List Declared Against: JAN 2022 (223) Does not contain REACH SVHC |
| Halogen Content | Low Halogen - Br, Cl, F, I < 900 ppm per homogenous material. Also BFR/CFR/PVC Free |
| Solder Process Capability | Not applicable for solder process capability |

Product Compliance Disclaimer

This information is provided based on reasonable inquiry of our suppliers and represents our current actual knowledge based on the information they provided. This information is subject to change. The part numbers that TE has identified as EU RoHS compliant have a maximum concentration of 0.1% by weight in homogenous materials for lead, hexavalent chromium, mercury, PBB, PBDE, DBP, BBP, DEHP, DIBP, and 0.01% for cadmium, or qualify for an exemption to these limits as defined in the Annexes of Directive 2011/65/EU (RoHS2). Finished electrical and electronic equipment products will be CE marked as required by Directive 2011/65/EU. Components may not be CE marked. Additionally, the part numbers that TE has identified as EU ELV compliant have a maximum concentration of 0.1% by weight in homogenous materials for lead, hexavalent chromium, and mercury, and 0.01% for cadmium, or qualify for an exemption to these limits as defined in the Annexes of Directive 2000/53/EC (ELV). Regarding the REACH Regulation, the information TE provides on SVHC in articles for this part number is based on the latest European Chemicals Agency (ECHA) 'Guidance on

requirements for substances in articles' posted at this URL: <https://echa.europa.eu/guidance-documents/guidance-on-reach>

Compatible Parts



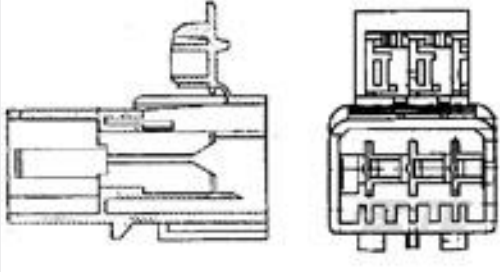
TE Part # 347782-1
8 POS RADIO CONNECTOR



TE Part # 338696-1
FASTIN FASTON (FF) HOUSING TAB



TE Part # 9-144836-5
DOUBLE LOCKING 5 MM HOUSING TAB PA66



TE Part # 1-144836-5
HOUSING TAB 5MM 5 P BROWN



TE Part # 5-144835-3
HOUSING TAB 5MM 3 P GREEN




TE Part # 6-316441-6
FF 187 PLUG 8P ASSY LIGHT GRAY

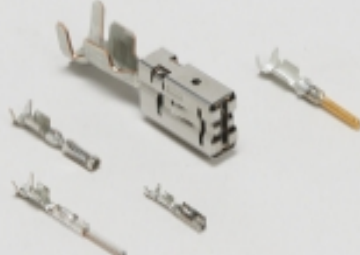


TE Part # 964473-1
FF 110 TAB HSG 10P PBT BLACK


Also in the Series | FASTIN-FASTON 110




Automotive Housings(1)




Automotive Terminals(4)



Crimp Terminal Housings(34)

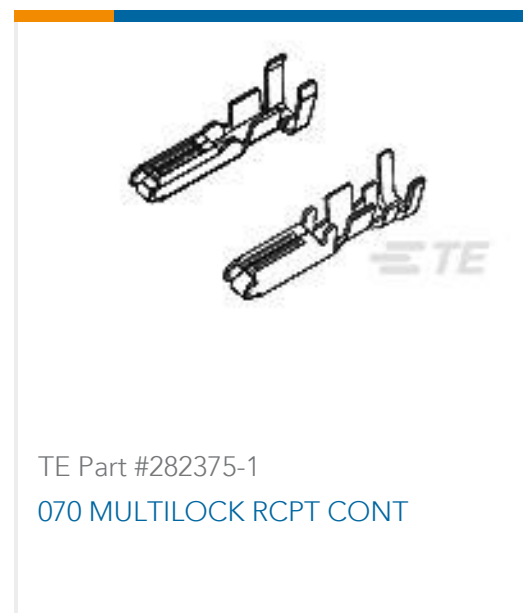


Insertion & Extraction Tools(3)



Quick Disconnects(83)

Customers Also Bought



Documents

Product Drawings

[FF 110 PLUG HSG 8P.](#)

English

CAD Files

[3D PDF](#)

3D

Customer View Model

[ENG_CVM_CVM_106455-4_A.2d_dxf.zip](#)

English

Customer View Model

[ENG_CVM_CVM_106455-4_A.3d_igs.zip](#)

English

Customer View Model

[ENG_CVM_CVM_106455-4_A.3d_stp.zip](#)

English

By downloading the CAD file I accept and agree to the [Terms and Conditions](#) of use.

Datasheets & Catalog Pages

[White Paper: Nylon Discoloration](#)

English

Product Specifications

[Application Specification](#)

English