



enetSEAL+ | DEUTSCH Common Contact

TE Internal #: 1062-20-0277

Automotive Terminals, Socket, Pin Diameter .04 in [1.02 mm], 22 – 15 AWG Wire Size, .35 – 1.5 mm² Wire Size, Locking On the Terminal

[View on TE.com >](#)

Terminals & Splices > Automotive Terminals > DEUTSCH STAMPED & FORMED CONTACTS



Terminal Type: **Socket**

Mating Pin Diameter: 1.02 mm [.04 in]

Terminal Transmits: 0 – 24 A (Low Power)

Wire Size: .35 – 1.5 mm²

[All DEUTSCH STAMPED & FORMED CONTACTS \(54\)](#)

Features

Product Type Features

Sealable	No
Primary Locking Feature	On the Terminal

Contact Features

Contact Size	Size 20
Contact Fabrication	Stamped & Formed
Typical Current Rating	7.5 A
Crimp Type	F-Crimp
Terminal Type	Socket
Mating Pin Diameter	1.02 mm [.04 in]
Interface Plating	Tin (Sn)
Contact Termination Area Plating Material	Tin (Sn)

Termination Features

Termination Method to Wire & Cable	Crimp
------------------------------------	-------



Product Terminates To

Wire

Dimensions

Wire Size

.35 – 1.5 mm²

Wire Size Search

15 AWG, 16 AWG, 18 AWG, 20 AWG, 22 AWG

Wire Insulation Diameter

1.3 – 2.16 mm [.051 – .085 in]

Usage Conditions

Insulation Option

Uninsulated

Operating Temperature (Max)

80 °C, 85 °C, 90 °C, 100 °C, 105 °C, 110 °C, 120 °C, 125 °C [176 °F][185 °F][194 °F][212 °F][221 °F][230 °F][248 °F][257 °F]

Operating Temperature Range

-55 – 125 °C [-67 – 257 °F]

Operation/Application

Compatible With Wire Base Material

Copper

Packaging Features

Packaging Method

Package

Packaging Quantity

4000

Other

Customer Preferred Contact

Yes

Terminal Transmits

0 – 24 A (Low Power)

Product Compliance

[For compliance documentation, visit the product page on TE.com>](#)

EU RoHS Directive 2011/65/EU

Compliant

EU ELV Directive 2000/53/EC

Compliant

China RoHS 2 Directive MIIT Order No 32, 2016

No Restricted Materials Above Threshold

EU REACH Regulation (EC) No. 1907/2006

Current ECHA Candidate List: JAN 2022 (223)
 Candidate List Declared Against: JAN 2022 (223)
 Does not contain REACH SVHC

Halogen Content

Low Halogen - Br, Cl, F, I < 900 ppm per homogenous material. Also BFR/CFR/PVC Free

Solder Process Capability

Not reviewed for solder process capability

Product Compliance Disclaimer

This information is provided based on reasonable inquiry of our suppliers and represents our current actual knowledge based on the information they provided. This information is subject to change. The part numbers that TE has identified as EU RoHS compliant have a maximum concentration of 0.1% by weight in homogenous materials for lead, hexavalent chromium, mercury, PBB, PBDE, DBP, BBP, DEHP, DIBP, and 0.01% for cadmium, or qualify for an exemption to these limits as defined in the Annexes of Directive 2011/65/EU (RoHS2). Finished electrical and electronic equipment products will be CE marked as required by Directive 2011/65/EU. Components may not be CE marked. Additionally, the part numbers that TE has identified as EU ELV compliant have a maximum concentration of 0.1% by weight in homogenous materials for lead, hexavalent chromium, and mercury, and 0.01% for cadmium, or qualify for an exemption to these limits as defined in the Annexes of Directive 2000/53/EC (ELV). Regarding the REACH Regulation, the information TE provides on SVHC in articles for this part number is based on the latest European Chemicals Agency (ECHA) 'Guidance on requirements for substances in articles' posted at this URL: <https://echa.europa.eu/guidance-documents/guidance-on-reach>


Compatible Parts



TE Part # CAT-H3930-CH8172
DEUTSCH HD30 HOUSINGS



TE Part # CAT-D485-CH8172
DEUTSCH DTM HOUSINGS



TE Part # CAT-D781-CH8172
DEUTSCH DRB HOUSINGS



TE Part # CAT-D799-CH8172
DEUTSCH DRC HOUSINGS



TE Part # CAT-H396-CH8172
DEUTSCH HDP20 HOUSINGS



TE Part # CAT-ST858-CH8172
DEUTSCH STRIKE HOUSINGS



TE Part # CAT-D48-SFT273
DEUTSCH STAMPED & FORMED CONTACTS



TE Part # 2266120-1
OCEAN_2.0_APPLICATOR-S-069F052O



TE Part # DRCP28-86SA
PLG, 86P, BLK, 12/20, A



TE Part # DTMH06-4SA
PLG, 4P, BLK, N, HI TEMP, A



TE Part # 2-2266119-1
OCEAN_2.0_APPLICATOR-S-069F068O



TE Part # 2-2266119-2
OCEAN_2.0_APPLICATOR-S-069F068O



TE Part # 2-2266120-1
OCEAN_2.0_APPLICATOR-S-069F052O



TE Part # 2-2266120-2
OCEAN_2.0_APPLICATOR-S-069F052OA



TE Part # 2266119-1
OCEAN_2.0_APPLICATOR-S-069F068O



TE Part # 2266119-2
OCEAN_2.0_APPLICATOR-S-069F068O



TE Part # 2266120-2
OCEAN_2.0_APPLICATOR-S-069F052OA



TE Part # 2390511-1
SDE F DEUTSCH 20 PIN/SKT 18-20AWG ASSY




TE Part # 2390511-2
SDE F DEUTSCH 20 PIN/SKT 18-20 DIE SET




TE Part # 5-2266119-1
OCEAN_2.0_APPLICATOR-S-069F068O

Also in the Series | **DEUTSCH Common Contact**

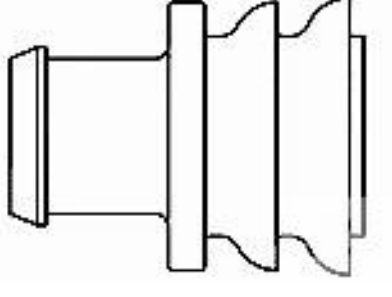


Automotive Terminals(98)




Insertion & Extraction Tools(8)

Customers Also Bought



TE Part #281934-2
SINGLE WIRE SEAL



TE Part #DT04-2P
DEUTSCH DT Series Housings & Connectors



TE Part #W2S
DEUTSCH DT WEDGELOCKS



TE Part #0460-202-16141
DEUTSCH SOLID CONTACTS



TE Part #282104-1
AMP SUPERSEAL 1.5MM, CONNECTOR HOUSING



TE Part #114017-ZZ
SEALING PLUG, SIZE 12/16, WHT



Documents

Product Drawings

[SOC, SF, SIZE 20, 16-22, SN/SN](#)

English

CAD Files

[3D PDF](#)

3D

Customer View Model

[ENG_CVM_CVM_1062-20-0277_D.2d_dxf.zip](#)

English

Customer View Model

[ENG_CVM_CVM_1062-20-0277_D.3d_igs.zip](#)

English

Customer View Model

[ENG_CVM_CVM_1062-20-0277_D.3d_stp.zip](#)

English

By downloading the CAD file I accept and agree to the [Terms and Conditions](#) of use.

Product Specifications

[Application Specification](#)

English