



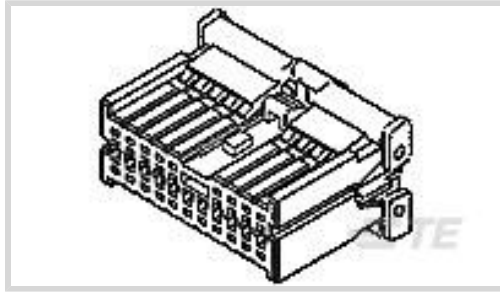
**Multilock Connector System**

TE Internal #: 1123387-1

Housing for Female Terminals, Wire-to-Wire, 24 Position, .098 in [2.5 mm] Centerline, Natural, Signal, Multilock Connector System

[View on TE.com >](#)

Connectors > Automotive Connectors > Connector Housings > MULTILOCK, CONNECTOR HOUSING



Connector & Housing Type: **Housing for Female Terminals**

Mating Tab Width: [.04 in]

Connector System: **Wire-to-Wire**

Number of Positions: **24**

Centerline (Pitch): **2.5 mm [.098 in]**

[All MULTILOCK, CONNECTOR HOUSING \(576\)](#)

**Features**

**Product Type Features**

Connector & Housing Shape	Rectangular
Connector & Housing Type	Housing for Female Terminals
Connector System	Wire-to-Wire
Sealable	No
Hybrid Connector	No
Primary Locking Feature	Integrated in Housing

**Configuration Features**

Number of Positions	24
Number of Rows	2

**Electrical Characteristics**

Operating Voltage	12 VDC
Nominal Voltage Architecture	12 V

**Body Features**

Cable Exit Angle	180°
Body Material	PBT
Primary Product Color	Natural

**Contact Features**



Contact Size	1mm .04 in
--------------	---------------

### Mechanical Attachment

Mating Alignment Type	Polarized
Mating Alignment	With
Connector Mounting Type	Cable Mount (Free-Hanging)

### Housing Features

Centerline (Pitch)	2.5 mm[.098 in]
--------------------	-----------------

### Dimensions

Product Width	22 mm[.866 in]
Product Length	37.8 mm[1.488 in]
Product Height	16.9 mm[.665 in]
Row-to-Row Spacing	5.5 mm[.217 in]

### Usage Conditions

Operating Temperature (Max)	70 °C, 75 °C, 80 °C, 85 °C, 90 °C, 100 °C, 105 °C[158 °F][167 °F][176 °F][185 °F][194 °F] [212 °F][221 °F]
Operating Temperature Range	-40 – 105 °C[-40 – 221 °F]

### Operation/Application

Circuit Application	Signal
---------------------	--------

### Industry Standards

UL Flammability Rating	UL 94HB
------------------------	---------

### Packaging Features

Packaging Quantity	100
Packaging Method	Tray

### Other

Connector Position Assurance Capable	No
--------------------------------------	----

### Product Compliance

[For compliance documentation, visit the product page on TE.com>](#)

EU RoHS Directive 2011/65/EU	Compliant
EU ELV Directive 2000/53/EC	Compliant

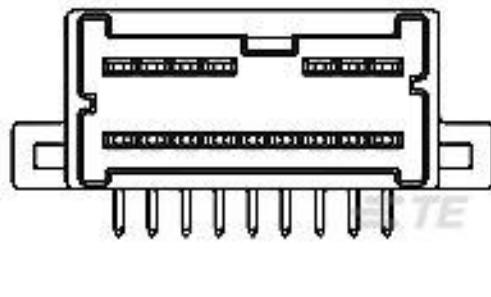


China RoHS 2 Directive MIIT Order No 32, 2016	No Restricted Materials Above Threshold
EU REACH Regulation (EC) No. 1907/2006	Current ECHA Candidate List: JAN 2022 (223) Candidate List Declared Against: JAN 2022 (223) Does not contain REACH SVHC
Halogen Content	Low Halogen - Br, Cl, F, I < 900 ppm per homogenous material. Also BFR/CFR/PVC Free
Solder Process Capability	Not applicable for solder process capability

Product Compliance Disclaimer

This information is provided based on reasonable inquiry of our suppliers and represents our current actual knowledge based on the information they provided. This information is subject to change. The part numbers that TE has identified as EU RoHS compliant have a maximum concentration of 0.1% by weight in homogenous materials for lead, hexavalent chromium, mercury, PBB, PBDE, DBP, BBP, DEHP, DIBP, and 0.01% for cadmium, or qualify for an exemption to these limits as defined in the Annexes of Directive 2011/65/EU (RoHS2). Finished electrical and electronic equipment products will be CE marked as required by Directive 2011/65/EU. Components may not be CE marked. Additionally, the part numbers that TE has identified as EU ELV compliant have a maximum concentration of 0.1% by weight in homogenous materials for lead, hexavalent chromium, and mercury, and 0.01% for cadmium, or qualify for an exemption to these limits as defined in the Annexes of Directive 2000/53/EC (ELV). Regarding the REACH Regulation, the information TE provides on SVHC in articles for this part number is based on the latest European Chemicals Agency (ECHA) 'Guidance on requirements for substances in articles' posted at this URL: <https://echa.europa.eu/guidance-documents/guidance-on-reach>

### Compatible Parts



TE Part # 1123431-1  
040 MLC 24P CAP ASSY W-T-B



TE Part # CAT-M9194-T273  
MULTILOCK, RECEPTACLE AND TAB

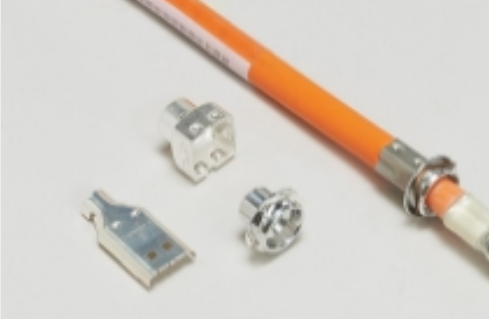


TE Part # 1123364-1  
040-3 MLC CAP HSG ASSY 24P

### Also in the Series | Multilock Connector System




Automotive Connector Caps & Covers (16)



Automotive Connector EMC Shielding (1)



Automotive Connector Locks & Position Assurance(2)



Automotive Housings(575)



Automotive Seals & Cavity Plugs(2)



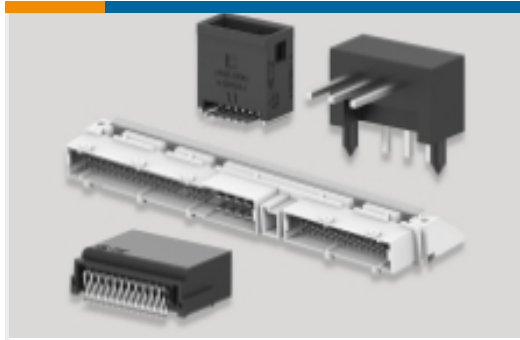
Automotive Terminals(141)



Insertion & Extraction Tools(6)

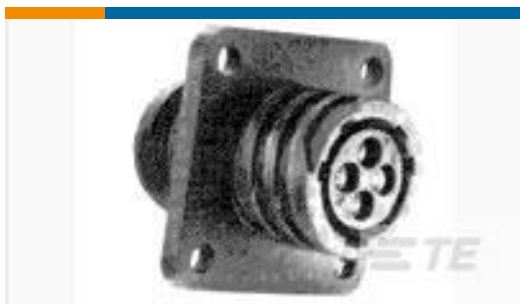


Other Automotive Connector Accessories(9)

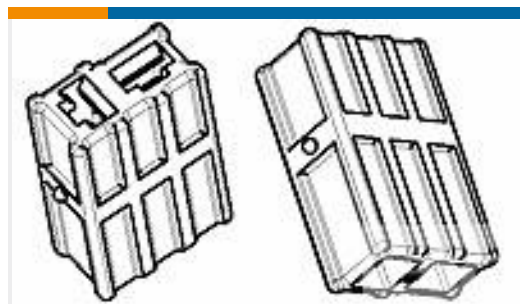


PCB Headers & Receptacles(129)

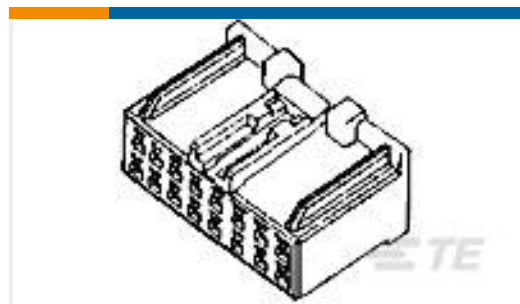
## Customers Also Bought



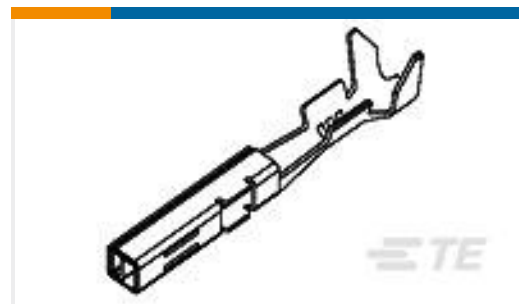
TE Part #206306-3  
CPC RECPT SEALED SIZE 23-37



TE Part #626064  
2 WAY FASTIN-ON 110 HOUSING  
REC PA66 NAT



TE Part #179093-6  
040/070 MK-2 PLUG ASSY 16P



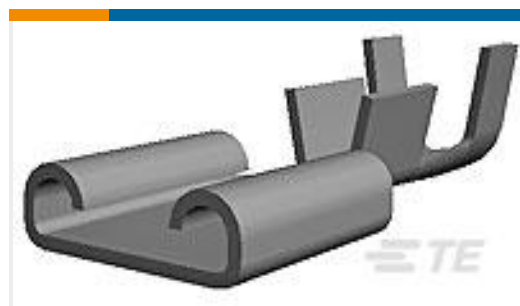
TE Part #880697-1  
ECONOSEAL REC .070



TE Part #175269-1  
MULTILOCK, RECEPTACLE AND TAB



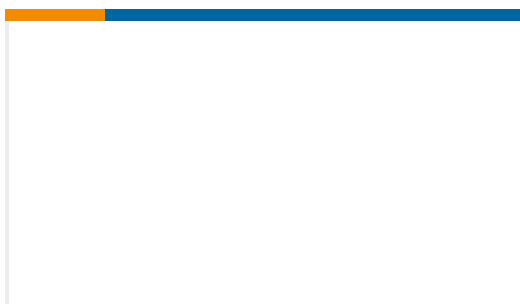
TE Part #881735-1  
ASS'Y JR P.TIMER 2W



TE Part #735209-1  
250 FASTON REC 22-18 AWG BR



TE Part #1-163081-2  
.062 PIN ASSY 3+



TE Part #2310364-1  
1062-16-0622

## Documents



### Product Drawings

#### 040-3 MLC PLUG HSG ASSY 24P

English

---

### CAD Files

#### Customer View Model

[ENG\\_CVM\\_1123387-1\\_B.3d\\_igs.zip](#)

English

#### Customer View Model

[ENG\\_CVM\\_1123387-1\\_B.3d\\_stp.zip](#)

English

#### Customer View Model

[ENG\\_CVM\\_1123387-1\\_B.2d\\_dxf.zip](#)

English

### 3D PDF

English

By downloading the CAD file I accept and agree to the [Terms and Conditions](#) of use.

---

### Datasheets & Catalog Pages

#### MULTILOCK Connector System

English

---

### Product Specifications

#### Application Specification

Japanese

#### Crimping .040III Unsealed Contact, Receptacle

Japanese

---

### Product Environmental Compliance

#### Product Compliance

English

#### Product Compliance

English