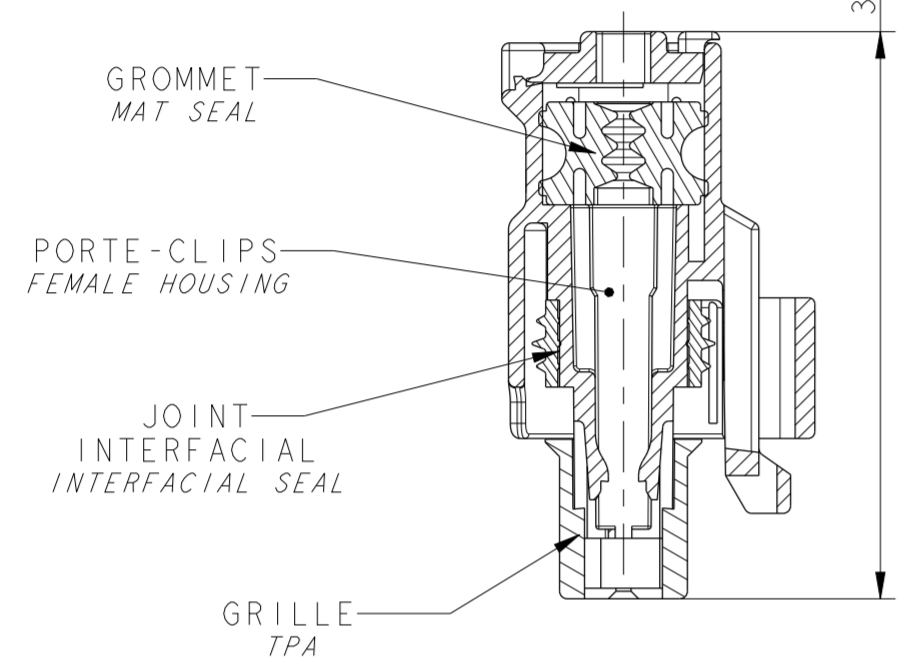


COUPE A-A
SECTION A-A

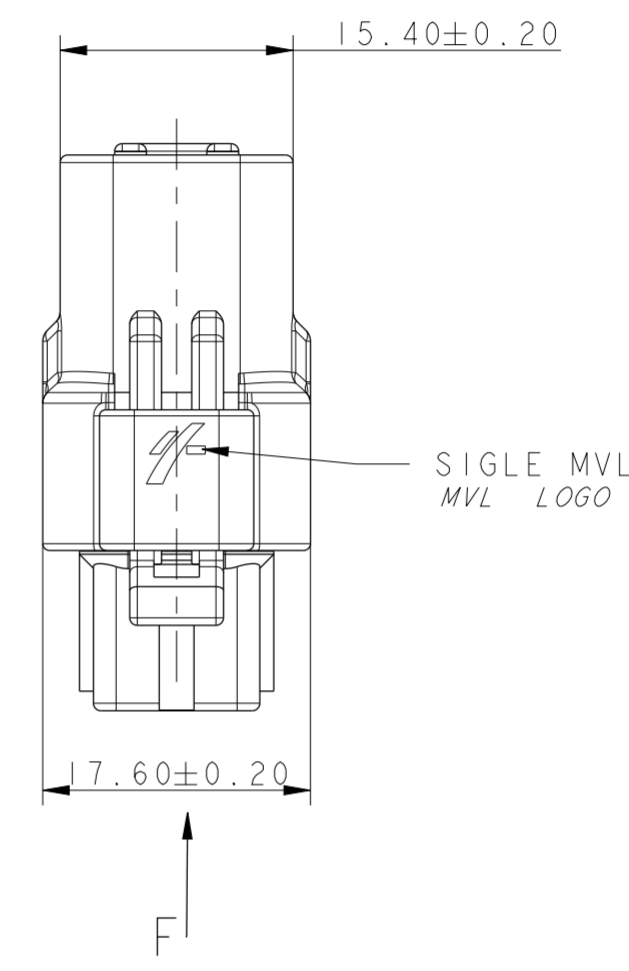
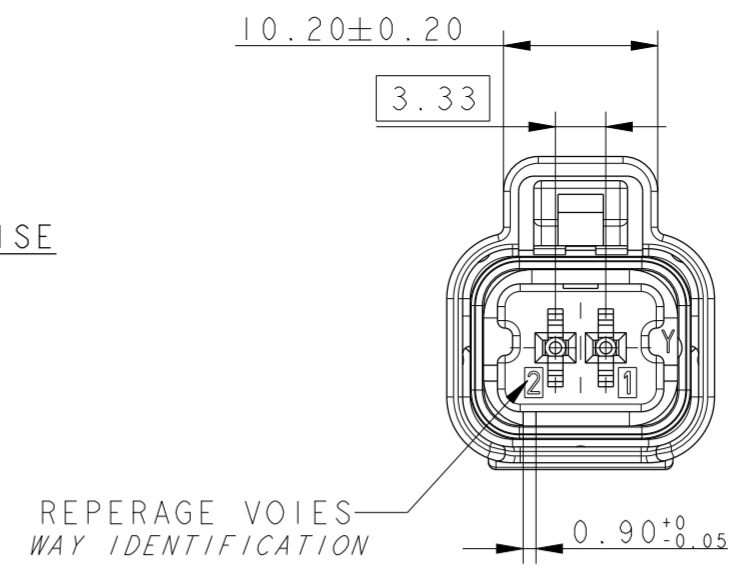
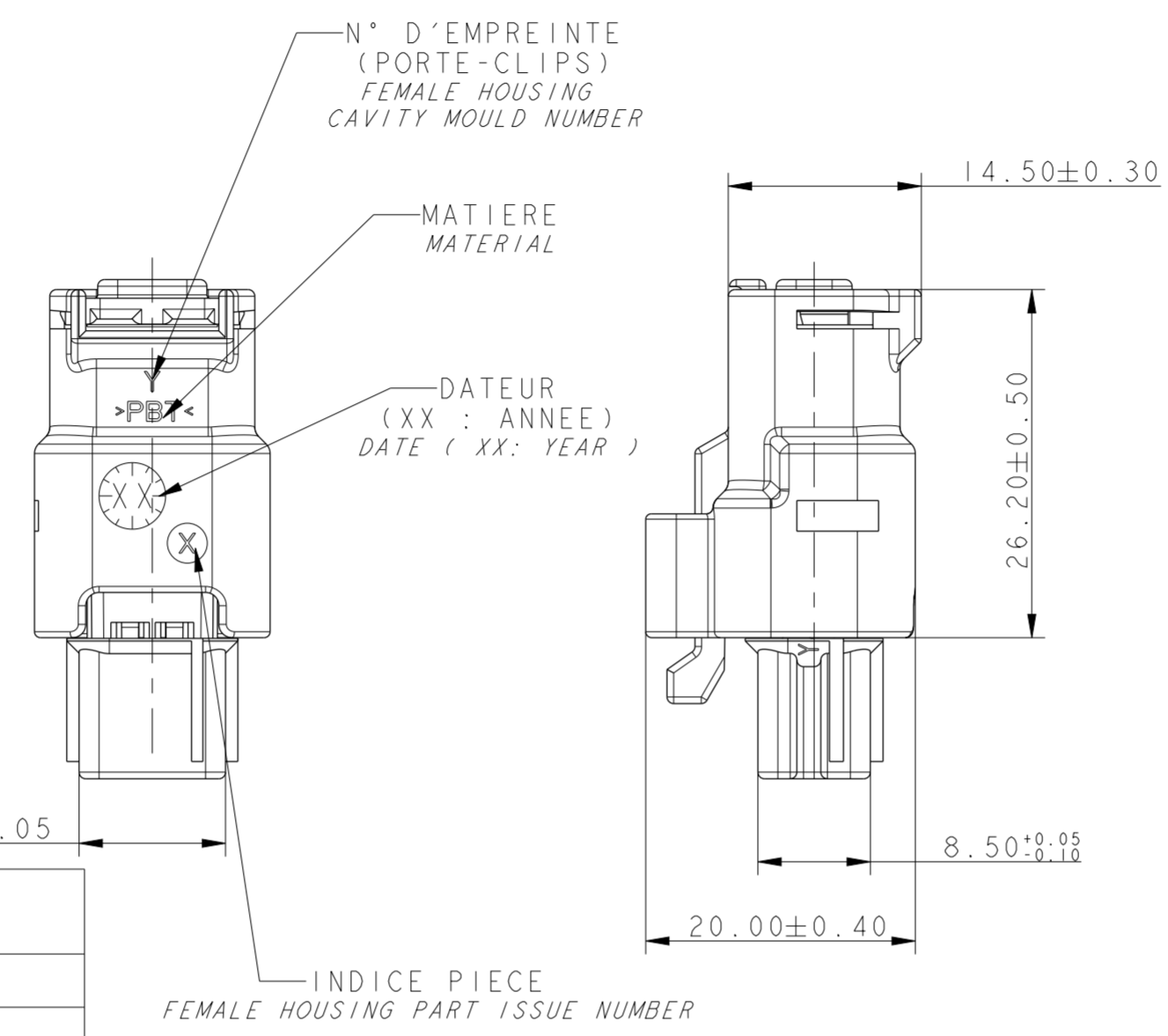


37.55±0.90 POSITION DE LIVRAISON
DELIVERY POSITION

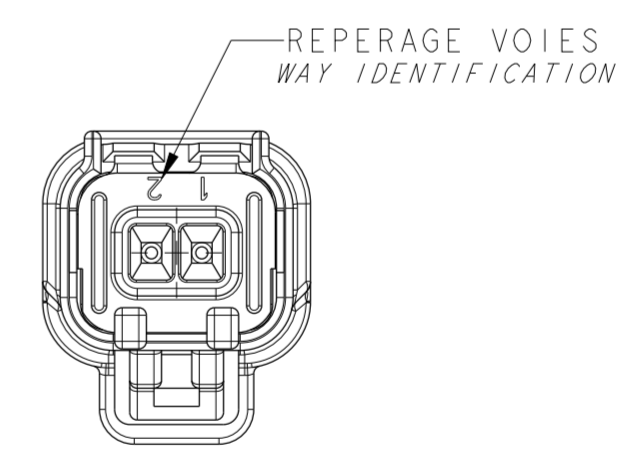
34.25±0.75 POSITION VERROUILLEE
LOCKED TPA

CHARNIERE DE PLAQUETTE ARRIERE ABSENTE OU CASSEE ADMISE
HINGE PLATE REAR NOT allowed or broken

DEFAUTS D'ASPECT SUR ZONES NON FONCTIONNELLES ADMIS
APPEARANCE DEFECTS ON FUNCTIONAL AREAS NOT ALLOWED



SCALE 2:1



NOTA : PRECONISATION D'UTILISATION PU071
NOTE : USER'S MANUAL PU071

PORTE-CLIPS FEMALE HOUSING	211 I 0 057	PBT NON CHARGE PBT: 0% GF	NOIR BLACK
GRILLE TPA	211 M 0 100	PBT: 15% FV PBT: 15% GF	NOIR BLACK
	211 M 1 100		MARRON BROWN
	211 M 2 100		ROUGE RED
	211 M 3 100		ORANGE ORANGE
	211 M 4 100		JAUNE YELLOW
	211 M 5 100		VERT GREEN
	211 M 6 100		BLEU BLUE
	211 M 8 100		GRIS GREY
	211 M 9 100		BLANC WHITE
GROMMET MAT SEAL	211 M 108	SILICONE 30Sh A AUTOLUBRIFIE	VERT GREEN
JOINT INTERFACIAL INTERFACIAL SEAL	211 M 095	SILICONE 50Sh A 4% D'HUILE	VERT GREEN
DESIGNATION DESCRIPTION	REF. MVL MVL'S REFERENCE	MATIERE MATERIAL	COULEUR COLOUR

									VUE F VIEW F
3.85	2.95		0.25	1.55	2.50	1.15			Tolérances : ±0.05
NOIR /BLACK	MARRON /BROWN	ROUGE /RED	ORANGE /ORANGE	JAUNE /YELLOW	VERT /GREEN	BLEU /BLUE	GRIS /GREY	BLANC /WHITE	COULEUR COLOUR
211 PC 02 2S 0 081	211 PC 02 2S 1 081	211 PC 02 2S 2 081	211 PC 02 2S 3 081	211 PC 02 2S 4 081	211 PC 02 2S 5 081	211 PC 02 2S 6 081	211 PC 02 2S 8 081	211 PC 02 2S 9 081	PART NO.
A	A	A	A	A	A	A	A	A	PART REV.
10864462	10846693	13792026	10890471	10890081	10890082	10866899	10864463	10890470	PART NO.
01	01	01	01	01	01	01	01	01	PART REV.
									DELPHI MVL

DELPHI P/N ADDED

ECN-NO. POSITION NUMERO ECN POSITION CHANGE DESCRIPTION MODIFICATION

PRODUCT SPEC. SPECIF. PRODUIT PACKAGING SPEC. SPECIF. EMBALLAGE APPLICATION SPEC. SPECIF. APPLICATION COPYRIGHT DELPHI CORPORATION AND/OR ITS AFFILIATES. ALL RIGHTS RESERVED. REVISED THIS DRAWING IS THE PROPERTY OF DELPHI CORPORATION AND CONTAINS DELPHI CONFIDENTIAL INFORMATION. THE REPRODUCTION, DISTRIBUTION AND UTILIZATION OF THIS DOCUMENT OR ITS RELATED CAD DATA, AS WELL AS COMMUNICATION OF ANY CONTENT TO OTHERS, WITHOUT EXPRESS AUTHORIZATION, IS PROHIBITED.

TOLERANCES TOLERANCES ±0.1 ±2* MATERIAL : MATIERE : SEE TABLE SURFACE FINISH ETAT DE SURFACE

COUNTERPART N° CONTRE-PARTIE N° COLOUR : COULEUR : SEE TABLE

DO NOT MEASURE DRAWING NE PAS PRENDRE DE COTES

CREATED BY DATE NAME NOM TITLE DESIGNATION PROJECT PROJET

2000-02-24 LE CLERE 2-WAY 15X08 FEMALE CONNECTOR

MODIFIED BY DATE NAME NOM TITLE DESIGNATION PROJECT PROJET

20130321 F FAURIE

CHECKED BY DATE NAME NOM TITLE DESIGNATION PROJECT PROJET

20130322 S LACOTE MINI SEALED "NG" COMPLETE SHROUD

APPROVED BY DATE NAME NOM TITLE DESIGNATION PROJECT PROJET

20130322 Pascal MENARD ESR NO. NUMERO ESR FRA-0920 CAT. NO. NUMERO CAT.

FILE NAME NOM DE FICHIER 211FT0360 DOCUMENT UNDER PDS CONTROL DOCUMENT GERE SOUS P.D.S. NO MODIFICATION ALLOWED OUTSIDE IPAS DE MODIFICATION EN DEHORS

DELPHI DELPHI PACKARD ELECTRICAL/ELECTRONIC ARCHITECTURE EPERNON, FRANCE

ECO Loc. Code FE

DRAWING NUMBER REF. PLAN 211FT0360

REV. IND. C

SHEET FEUILLE 1 of 1 sur 1

SCALE ECH. 1:1