

.100" (2.54 mm) Header

(Preferred Version in Europe and Asia)



1100-7 Right Angle Locking

Right angle locking headers with preinserted .025" square pins. Allows many design options, when low profile or locked interconnects are required. Mates with 1300 series crimp or IDC style connectors.

Housing Material: Nylon 94V-0

Pins: Copper Alloy

*Back wall will be solid on 2 thru 6 circuit



PART NUMBER CODING

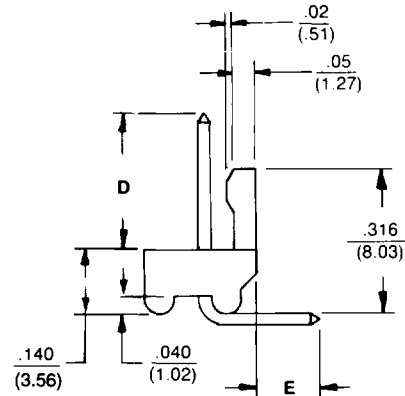
110X-7-1XX-01

NUMBER OF POSITIONS

PLATING CODE

0 = Tin

8 = .000015 Selective Gold

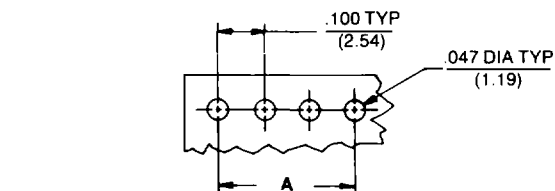
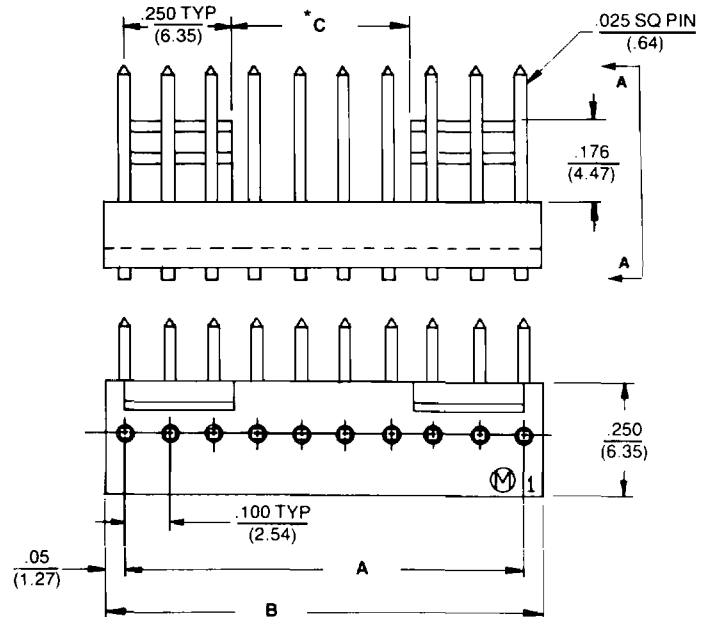


VIEW A-A
1100-7

Pin Chart

PIN NUMBER	DIM D	DIM E
01	.295 (7.49)	.140 (3.56)

PART NUMBER	NO. OF POSITIONS	DIM A	DIM B	*C*±.010(±.25)
110X-7-102-01	2	.100 (2.54)	.190 (4.38)	*
110X-7-103-01	3	.200 (5.08)	.290 (7.37)	*
110X-7-104-01	4	.300 (7.62)	.390 (9.91)	*
110X-7-105-01	5	.400 (10.16)	.490 (12.45)	*
110X-7-106-01	6	.500 (12.70)	.590 (14.99)	*
110X-7-107-01	7	.600 (15.24)	.690 (17.35)	.100 (2.54)
110X-7-108-01	8	.700 (17.78)	.790 (20.07)	.200 (5.08)
110X-7-109-01	9	.800 (20.32)	.890 (22.61)	.300 (7.62)
110X-7-110-01	10	.900 (22.86)	.990 (25.15)	.400 (10.16)
110X-7-111-01	11	1.000 (25.40)	1.090 (27.69)	.500 (12.70)
110X-7-112-01	12	1.100 (27.94)	1.190 (30.23)	.600 (15.24)
110X-7-113-01	13	1.200 (30.48)	1.290 (32.77)	.700 (17.78)
110X-7-114-01	14	1.300 (33.02)	1.390 (35.31)	.800 (20.32)
110X-7-115-01	15	1.400 (35.56)	1.490 (37.85)	.900 (22.86)
110X-7-116-01	16	1.500 (38.10)	1.590 (40.39)	1.000 (25.40)
110X-7-117-01	17	1.600 (40.64)	1.690 (42.93)	1.100 (27.94)
110X-7-118-01	18	1.700 (43.18)	1.790 (45.47)	1.200 (30.48)
110X-7-119-01	19	1.800 (45.72)	1.890 (48.01)	1.300 (33.02)
110X-7-120-01	20	1.900 (48.26)	1.990 (50.55)	1.400 (35.56)
110X-7-121-01	21	2.000 (50.80)	2.090 (53.09)	1.500 (38.10)
110X-7-122-01	22	2.100 (53.34)	2.190 (55.63)	1.600 (40.64)
110X-7-123-01	23	2.200 (55.88)	2.290 (58.17)	1.700 (43.18)
110X-7-124-01	24	2.300 (58.42)	2.390 (60.71)	1.800 (45.72)
110X-7-125-01	25	2.400 (60.96)	2.490 (63.26)	1.900 (48.26)
110X-7-126-01	26	2.500 (63.50)	2.590 (65.79)	2.000 (50.80)
110X-7-127-01	27	2.600 (66.04)	2.690 (68.33)	2.100 (53.34)
110X-7-128-01	28	2.700 (68.58)	2.790 (70.87)	2.200 (55.88)



RECOMMENDED P.C. BOARD LAYOUT